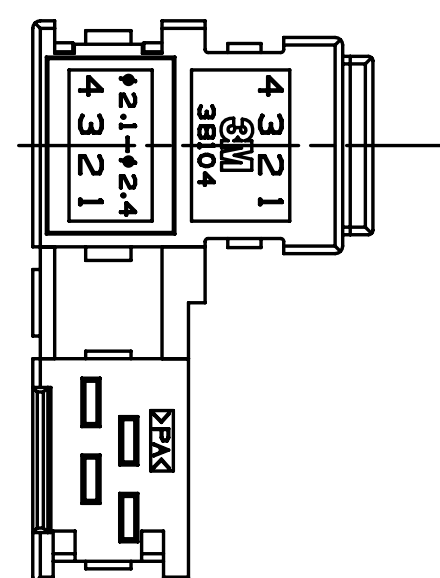
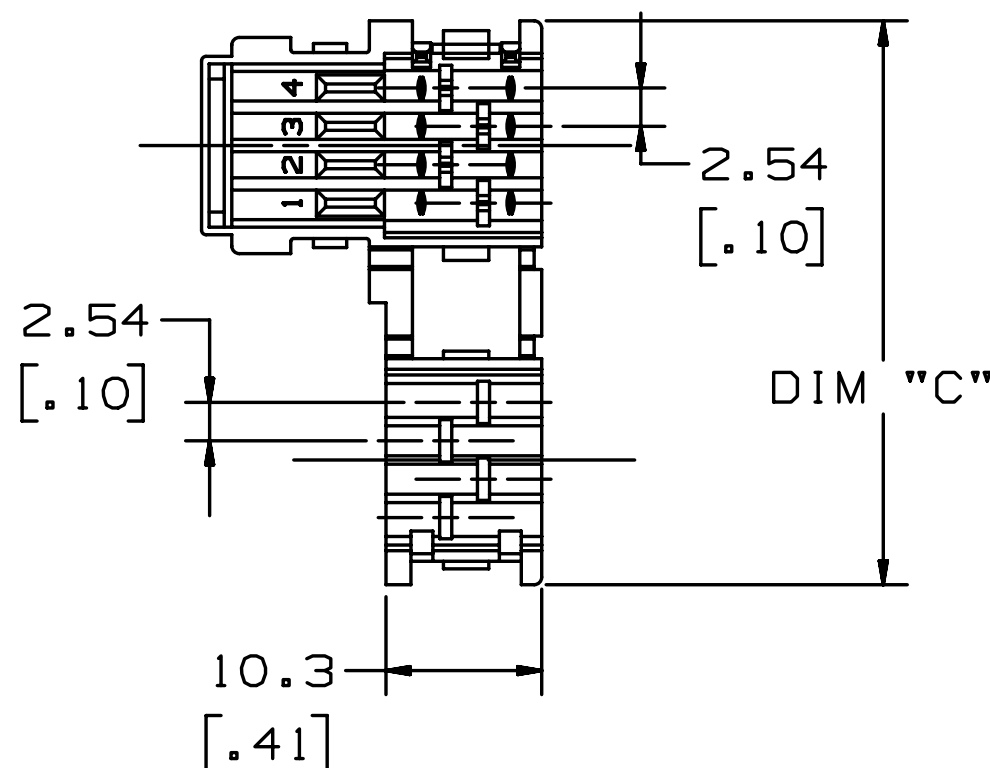
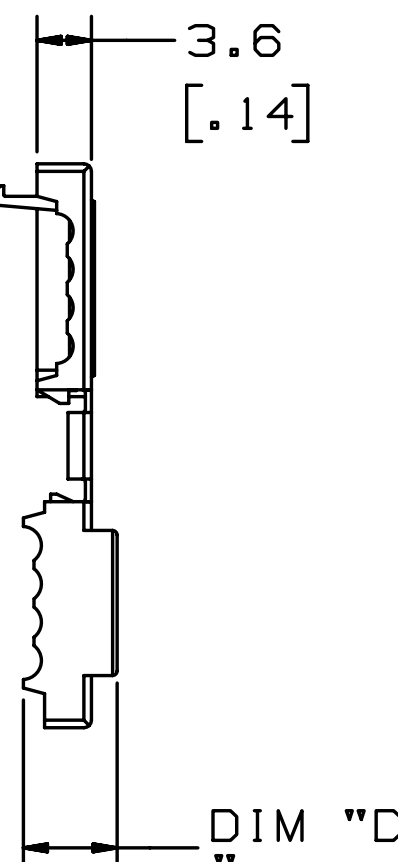
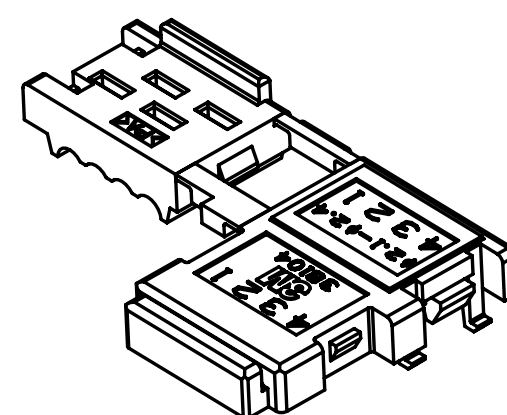
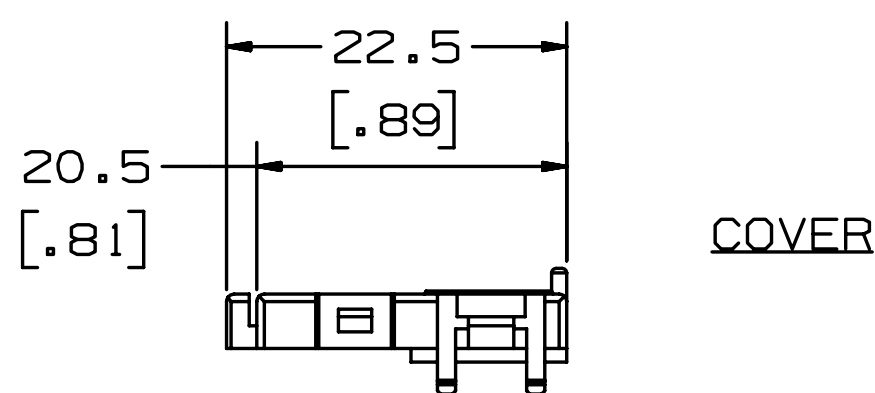
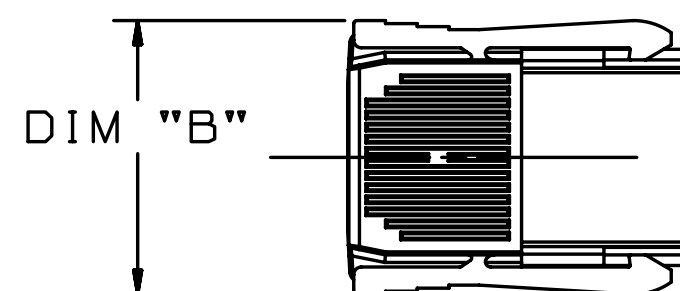
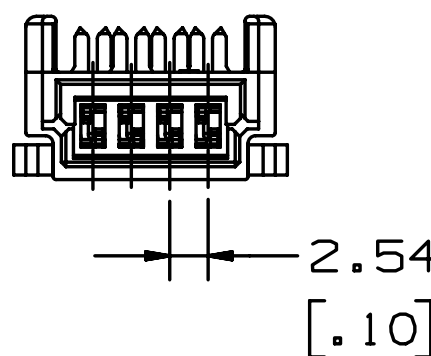
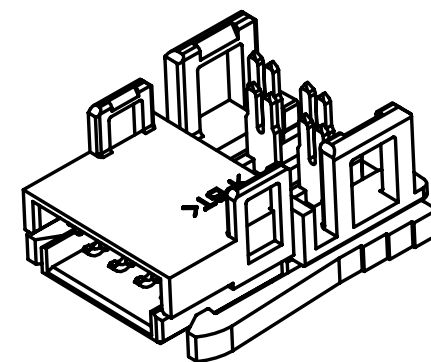
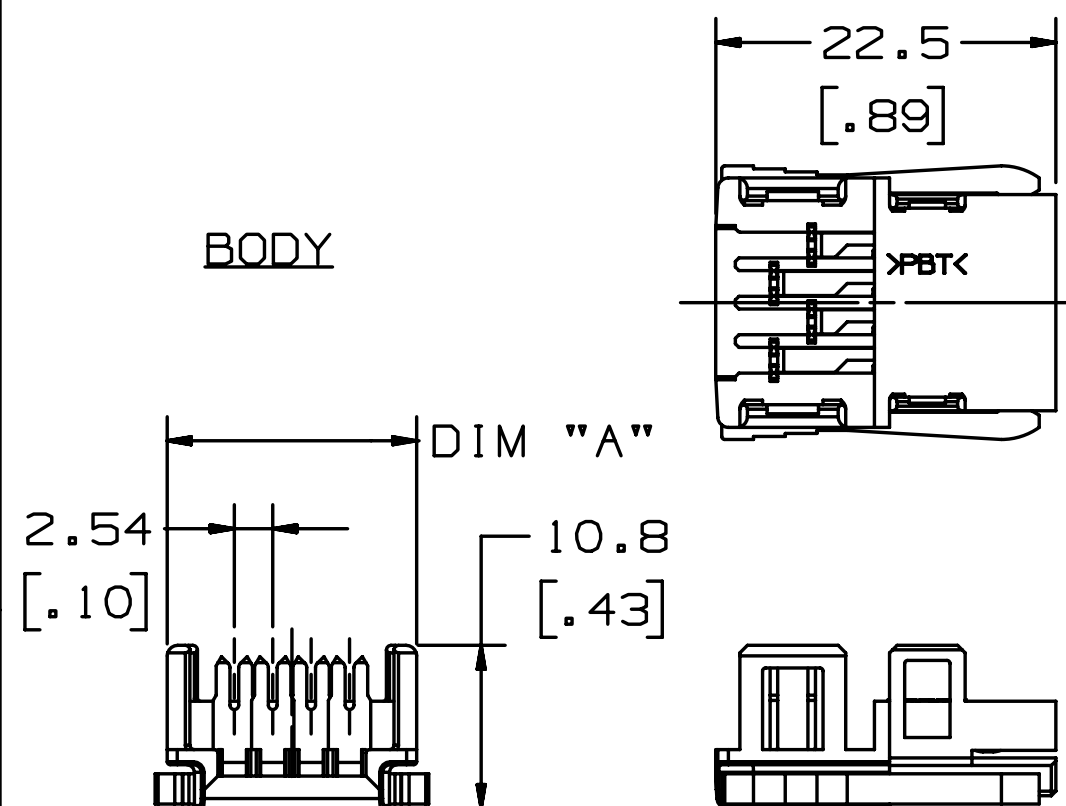


3M™ LINK CONNECTOR, 2.54mm[.100"], WIREMOUNT, HERMAPHRODITIC, 381 SERIES

Notes:

- 1) Material:
 Body: PBT, UL94V-0
 Cover: Nylon
 Contacts: Copper Alloy
- 2) Plating:
 1.27 μm Nickel underplate
 0.2 μm min. Gold with Lubricant in wiping area
 Nickel on IDC
- 3) Wire Accommodation:
 18 AWG [0.75mm²] Tinned, solid, 7 or 19 stranded, PVC
 20 AWG [0.50mm²] Tinned, solid, 7 stranded, PVC
 22 AWG [0.30mm²] Tinned, solid, 7 stranded, PVC
- 4) Marking:
 3M Logo, Part Number, Position Identification'
 Insulator Material
- 5) Mating Compatibility: 381 and 382 SERIES
- 6) Regulatory:
 UL File No.: E68080 (18 AWG only)
- RoHS Compliant:
 See the Regulatory Information Appendix (RIA) in the "RoHS Compliance" section of www.3MConnector.com for compliance information. (RIA E1 & C1 apply).
- 7) Reference Related Documents:
 Product Specification:
 3M Doc. ID# 78-5102-0091-4
 Tooling and Installation Instructions:
 3M Doc. ID# 78-9101-5361-4



Performance:	
Current Rating:	5.0A
Voltage Rating:	160V
Insulation Resistance:	> 1 x 10 ⁸ Ohms at 500 VDC
Withstanding Voltage:	1000VACrms at sea level
Operating Temperature:	-20°C to +70°C
UL Temperature Rating:	+65°C

DESIGN REFERENCE	NEXT ASSEMBLY
DISTRIBUTION CODES	DRFT
	MWL
	CHKD
DIVISION	DIVISION CODE
Interconnect Solutions	ISD
DO NOT SCALE DRAWING	SCALE 4/1
	TOLERANCES EXCEPT AS NOTED
	INCHES
	.0 ±
	.00 ±
	.000 ±
	.0000 ±
	MILLIMETERS
	0 ±
	.0 ± .3
	.00 ± .13
	.000 ±
	ANGLES ±1°

E	36079	SEP 09, 2011	MWL	SAN
CONVERT TO NEW ENG. FORMAT, ADD 2 POSITION PART				
REV	ECO	ISSUE DATE AND DESCRIPTION	DRFT	CHKD
		DATE	DATE	DATE
		DATE	APPVL	DATE
3M		© 3M COPYRIGHT 2011		
3M Center St. Paul, MN 55144		This document and the information it contains are 3M property and may not be reproduced or further distributed without 3M permission, or used or disclosed other than for 3M authorized purposes. All rights reserved.		
TITLE				
2.54mm[.100"] LINK WIREMOUNT, HERMAPHRODITIC 381				
CAGE NUMBER	SIZE	DRAWING NO.	REV.	
	C	78-5100-2098-1	E	
MODEL	DET. LISTS		SHT 1 OF 2	

78-5100-2098-1
DRAWING NUMBER
E
REVISION

3M™ LINK CONNECTOR, 2.54mm[.100"], WIREMOUNT, HERMAPHRODITIC, 381 SERIES

PART ORDERING INFORMATION

3810X-X0XX-X0X FL (RIA E1 & C1 APPLY)

NUMBER OF POSITIONS:
2 = 2 POSITION
4 = 4 POSITION

COVER SHAPE:

3M
0 = 2.54mm FLAT CABLE
E = DISCRETE WIRE 2.1 - 2.4mm DIA
F = DISCRETE WIRE 1.8 - 2.1mm DIA
W = DISCRETE WIRE 1.4 - 1.7mm DIA
H = DISCRETE WIRE 1.1 - 1.4mm DIA

CC Link/LT

M = 2.54mm FLAT CABLE
A = DISCRETE WIRE 2.1 - 2.4mm DIA
B = DISCRETE WIRE 1.8 - 2.1mm DIA


MARKING
0 = 3M
M = CC-Link/LT

COLOR:
SEE TABLE 1 SHT 2

WIRE AWG:
18
20
22

AVAILABLE PRODUCTS

PART NUMBER	COVER SHAPE O.D./WIRE TYPE	WIRE SIZE AWG/mm ²	DIM "A"	DIM "B"	DIM "C"	DIM "D"	MARKING/SHAPE	COLOR		
								BODY	COVER	CODE
38104-0018-000 FL	2.54 FLAT CABLE	18 / 0.75	16.5	18.1	37.3	6.2	3M	BLACK	BLACK	0
38104-E018-E00 FL	2.1 - 2.4 DISCRETE	18 / 0.75	16.5	18.1	37.3	6.2	3M	BLACK	ORANGE	E
38104-F018-F00 FL	1.8 - 2.1 DISCRETE	18 / 0.75	16.5	18.1	37.3	6.2	3M	BLACK	YELLOW	F
38104-0020-100 FL	2.54 FLAT CABLE	20 / 0.50	16.5	18.1	37.3	6.2	3M	GRAY	BLACK	I
38104-E020-G00 FL	2.1 - 2.4 DISCRETE	20 / 0.50	16.5	18.1	37.3	6.2	3M	GRAY	ORANGE	G
38104-F020-H00 FL	1.8 - 2.1 DISCRETE	20 / 0.50	16.5	18.1	37.3	6.2	3M	GRAY	YELLOW	H
38104-H022-K00 FL	1.1 - 1.4 DISCRETE	22 / 0.30	11.5	13.1	27.3	5.4	3M	WHITE	WHITE	K
38104-M018-M0M FL	2.54 FLAT CABLE	18 / 0.75	16.5	18.1	37.3	6.2	CC Link/LT	BLUE	BLUE	M
38104-A018-A0M FL	2.1 - 2.4 DISCRETE	18 / 0.75	16.5	18.1	37.3	6.2	CC Link/LT	BLUE	D.GREEN	A
38104-B018-B0M FL	1.8 - 2.1 DISCRETE	18 / 0.75	16.5	18.1	37.3	6.2	CC Link/LT	BLUE	L.GREEN	B
38102-0018-000 FL	2.54 FLAT CABLE	18 / 0.75	11.5	13.1	27.3	6.2	3M	BLACK	BLACK	O
38102-F020-H00 FL	1.8 - 2.1 DISCRETE	20 / 0.50	11.5	13.1	27.3	6.2	3M	GRAY	YELLOW	H
38102-W022-W00 FL	1.4 - 1.7 DISCRETE	22 / 0.30	11.5	13.1	27.3	5.4	3M	WHITE	PINK	W

E	36079	SEP 09, 2011	MWL	SAN
CONVERT TO NEW ENG. FORMAT, ADD 2 POSITION PART				
REV	ECO	ISSUE DATE AND DESCRIPTION	DRFT	CHKD
		DATE AUG 30, 2011		
		DATE	APPVL	DATE
DESIGN REFERENCE		NEXT ASSEMBLY		
DISTRIBUTION CODES		DIVISION CODE		
Interconnect Solutions		ISD		
DO NOT SCALE DRAWING	SCALE 4 1	TOLERANCES EXCEPT AS NOTED		
THIRD ANGLE PROJECTION		INCHES .0 .00 .000 .0000		
INTERPRET PER ASME Y14.5 - 1994		MILLIMETERS 0 .0 .00 .000		
MAX SURFACE ROUGHNESS 125 ✓		ALL SURFACES MARKED ONLY		
ANGLES ±1°				
 3M Center St. Paul, MN 55144				
© 3M COPYRIGHT 2011 This document and the information it contains are 3M property and may not be reproduced or further distributed without 3M permission, or used or disclosed other than for 3M authorized purposes. All rights reserved.				
TITLE 2.54mm[.100"] LINK WIREMOUNT, HERMAPHRODITIC 381				
CAGE NUMBER	SIZE	DRAWING NO.	REV.	
	C	78-5100-2098-1	E	
MODEL		DET. LISTS <input type="checkbox"/> YES <input checked="" type="checkbox"/> NO		
SHT 2 OF 2				

78-5100-2098-1
DRAWING NUMBER

A

Mouser Electronics

Authorized Distributor

Click to View Pricing, Inventory, Delivery & Lifecycle Information:

[3M:](#)

[38104-0018-000 FL](#) [38104-E020-G00FL](#) [38104-F018-F00FL](#) [38104-F020-H00FL](#) [38104-0020-100FL](#) [38104-B018-B0MFL](#) [38104-M018-M0MFL](#) [38104-A018-A0MFL](#) [38102-0018-000 FL](#) [38102-F020-H00 FL](#) [38104-E018-E00FL](#)