


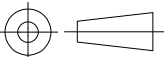
WAR NR. —	LOC A1	DIST —	REVISIONS					
			P	LTR	DESCRIPTION	DATE	DWN	APVD
			P		REVISED PER ECO-11-005301	02MAR11	RK	HMR

PASSEND ZU —
 ÄNDERUNGEN, DIE DEM
 TECHNISCHEN FORT-
 SCHRITT DIENEN, BE-
 HALTEN WIR UNS VOR

SIEHE ZEICHNUNG
 826 629 BLATT 3

VON DIESER ZEICHNUNG GIBT ES KEIN ORIGINAL

BESTELL-NR.	WERKSTOFF	OBERFLÄCHE FARBE	VERWENDET FÜR 78-9833
-------------	-----------	---------------------	--------------------------

DIMENSIONS: mm	DWN	—	MATERIAL	—	FINISH	—
	CHK	—	 TE Connectivity			
TOLERANCES UNLESS OTHERWISE SPECIFIED:	APVD	—				
0 PLC ± -	PRODUCT SPEC	—	NAME AMPMODU II STIFTLAISTE 90DEG EINREIHIG			
1 PLC ± -	APPLICATION SPEC	—	SIZE	CAGE CODE	DRAWING NO	RESTRICTED TO
2 PLC ± -			A4	00779	C-826631	—
3 PLC ± -						
4 PLC ± -						
ANGLES ± -	WEIGHT	—	CUSTOMER DRAWING			
			SCALE	—	SHEET	1 OF 1
			REV P			

RELEASED FOR PUBLICATION

ALL RIGHTS RESERVED.

THIS DRAWING IS UNPUBLISHED.

By —
 COPYRIGHT —

Mouser Electronics

Authorized Distributor

Click to View Pricing, Inventory, Delivery & Lifecycle Information:

[TE Connectivity:](#)

[826631-9](#)