

Interface module - DFLK 40 - 2280271

Please be informed that the data shown in this PDF Document is generated from our Online Catalog. Please find the complete data in the user's documentation. Our General Terms of Use for Downloads are valid (<http://phoenixcontact.com/download>)



The VARIOFACE feed-through module implements a 1:1 connection between screw connection terminal blocks and an IDC/FLK pin strip (2.54 mm, number of positions: 40).



Key Commercial Data

Packing unit	1 pc
GTIN	 4 017918 054380
Weight per Piece (excluding packing)	132.0 g
Custom tariff number	85369010
Country of origin	Germany

Technical data

Dimensions

Width	39 mm
Height	128.4 mm
Depth	49 mm

Ambient conditions

Ambient temperature (operation)	-20 °C ... 50 °C
Ambient temperature (storage/transport)	-20 °C ... 70 °C

General

Max. perm. operating voltage	< 50 V AC
	60 V DC
Max. perm. current (per branch)	1 A
Max. permissible current (all branches)	40 A (T _A = 50°C)
Number of positions	40

Interface module - DFLK 40 - 2280271

Technical data

General

Status display	No
Mounting position	any
Degree of protection	IP20
Designation	Air clearances and creepage distances
Standards/regulations	DIN EN 50178
	IEC 60664
	IEC 62103
Rated insulation voltage	63 V
Rated surge voltage	0.6 kV (Functional insulation)
Degree of pollution	2
Overvoltage category	II

Connection data for connection 1

Connection name	Field level
Connection in acc. with standard	IEC / EN
Connection method	Screw connection
Stripping length	8 mm
Screw thread	M3
Conductor cross section solid	0.2 mm ² ... 4 mm ²
Conductor cross section flexible	0.2 mm ² ... 2.5 mm ²
Conductor cross section AWG	24 ... 12

Connection data for connection 2

Connection name	Controller level
Connection method	IDC/FLK pin strip (2.54 mm)
Number of connections	1
Number of positions	40
Pitch	2.54 mm

Supported controller

Controller	ALLEN-BRADLEY SLC 500
- suitable I/O card	1746 OB 32
	1746 OV 32
	1746 IB 32
	1746 IV 32

Standards and Regulations

Designation	Air clearances and creepage distances
Standards/regulations	DIN EN 50178

Interface module - DFLK 40 - 2280271

Technical data

Standards and Regulations

	IEC 60664
	IEC 62103
Degree of pollution	2
Overvoltage category	II

Classifications

eCl@ss

eCl@ss 4.0	27250313
eCl@ss 4.1	27250313
eCl@ss 5.0	27250313
eCl@ss 5.1	27250313
eCl@ss 6.0	27242608
eCl@ss 7.0	27141152
eCl@ss 8.0	27141152
eCl@ss 9.0	27141152

ETIM

ETIM 2.0	EC001434
ETIM 3.0	EC001604
ETIM 4.0	EC001604
ETIM 5.0	EC002780

UNSPSC

UNSPSC 6.01	30211824
UNSPSC 7.0901	39121421
UNSPSC 11	39121421
UNSPSC 12.01	39121421
UNSPSC 13.2	39121421

Approvals

Approvals

Approvals

EAC / EAC

Interface module - DFLK 40 - 2280271

Approvals

Ex Approvals

Approvals submitted

Approval details

EAC

EAC

Accessories

Accessories

System cable

Cable - FLK 40/EZ-DR/ 50/KONFEK - 2288985



Round cable sets, with two 40-pos. socket strips (1:1 connection), also for use with Siemens SIMATIC® S5-95U and 100U (32 x digital IN/OUT), cable length: 0.5 m

Cable - FLK 40/EZ-DR/ 100/KONFEK - 2288998



Round cable sets, with two 40-pos. socket strips (1:1 connection), also for use with Siemens SIMATIC® S5-95U and 100U (32 x digital IN/OUT), cable length: 1 m

Cable - FLK 40/EZ-DR/ 150/KONFEK - 2289007



Round cable sets, with two 40-pos. socket strips (1:1 connection), also for use with Siemens SIMATIC® S5-95U and 100U (32 x digital IN/OUT), cable length: 1.5 m

Interface module - DFLK 40 - 2280271

Accessories

Cable - FLK 40/EZ-DR/ 200/KONFEK - 2289010



Round cable sets, with two 40-pos. socket strips (1:1 connection), also for use with Siemens SIMATIC® S5-95U and 100U (32 x digital IN/OUT), cable length: 2 m

Cable - FLK 40/EZ-DR/ 250/KONFEK - 2289023



Round cable sets, with two 40-pos. socket strips (1:1 connection), also for use with Siemens SIMATIC® S5-95U and 100U (32 x digital IN/OUT), cable length: 2.5 m

Cable - FLK 40/EZ-DR/ 300/KONFEK - 2289036



Round cable sets, with two 40-pos. socket strips (1:1 connection), also for use with Siemens SIMATIC® S5-95U and 100U (32 x digital IN/OUT), cable length: 3 m

Cable - FLK 40/EZ-DR/ 350/KONFEK - 2289049



Round cable sets, with two 40-pos. socket strips (1:1 connection), also for use with Siemens SIMATIC® S5-95U and 100U (32 x digital IN/OUT), cable length: 3.5 m

Cable - FLK 40/EZ-DR/ 400/KONFEK - 2289052



Round cable sets, with two 40-pos. socket strips (1:1 connection), also for use with Siemens SIMATIC® S5-95U and 100U (32 x digital IN/OUT), cable length: 4 m

Interface module - DFLK 40 - 2280271

Accessories

Cable - FLK 40/EZ-DR/ 600/KONFEK - 2299589



Round cable sets, with two 40-pos. socket strips (1:1 connection), also for use with Siemens SIMATIC® S5-95U and 100U (32 x digital IN/OUT), cable length: 6 m

Cable - FLK 40/EZ-DR/ 800/KONFEK - 2299592



Round cable sets, with two 40-pos. socket strips (1:1 connection), also for use with Siemens SIMATIC® S5-95U and 100U (32 x digital IN/OUT), cable length: 8 m

Cable - FLK 40/EZ-DR/1000/KONFEK - 2299602



Round cable sets, with two 40-pos. socket strips (1:1 connection), also for use with Siemens SIMATIC® S5-95U and 100U (32 x digital IN/OUT), cable length: 10 m

Cable - FLK EZ-DR.../.../... - 2295059

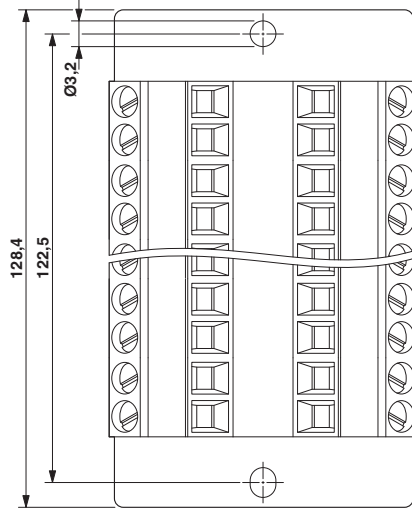


Round cable, with preassembly, not shielded, variable cable length

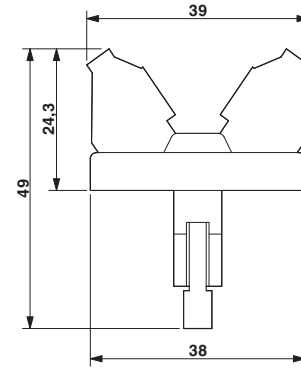
Drawings

Interface module - DFLK 40 - 2280271

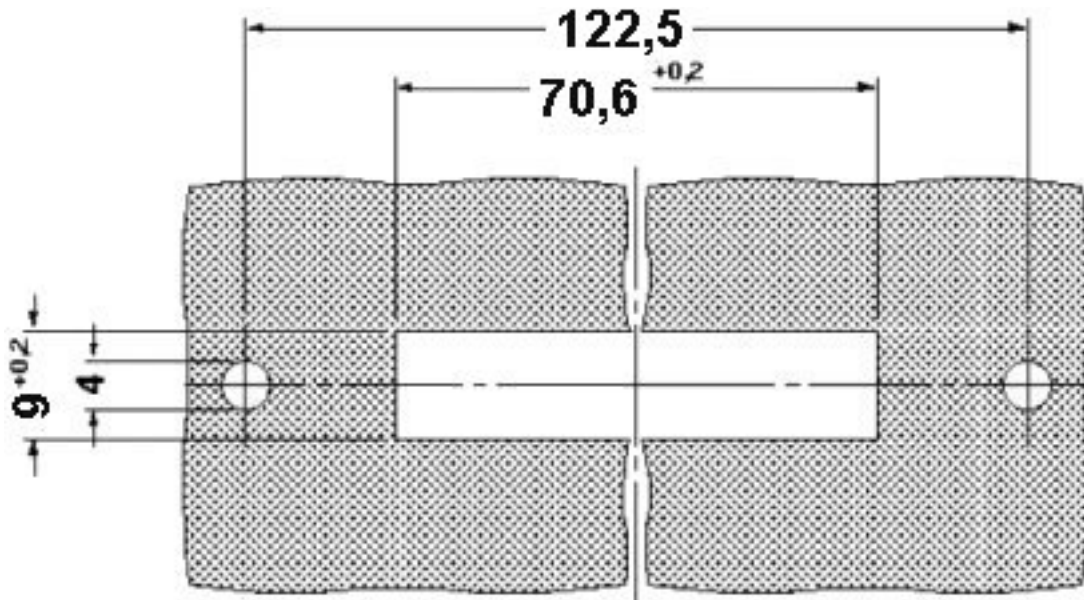
Dimensional drawing



Dimensional drawing



Dimensional drawing



Mouser Electronics

Authorized Distributor

Click to View Pricing, Inventory, Delivery & Lifecycle Information:

[Phoenix Contact:](#)

[2280271](#)