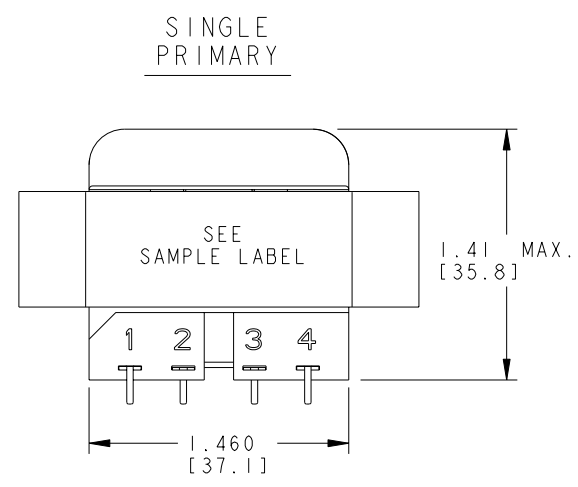
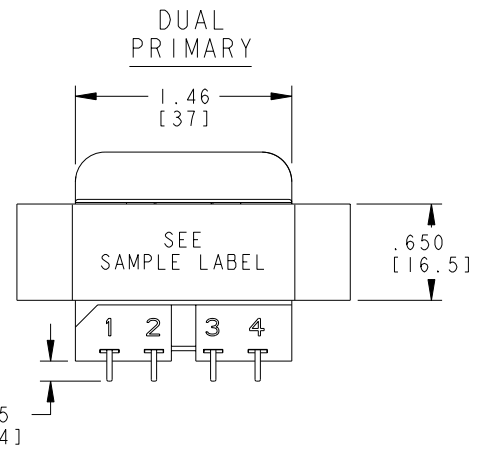


THIS DRAWING IS UNPUBLISHED. RELEASED FOR PUBLICATION 20
 © COPYRIGHT 20 BY TYCO ELECTRONICS CORPORATION. ALL RIGHTS RESERVED.

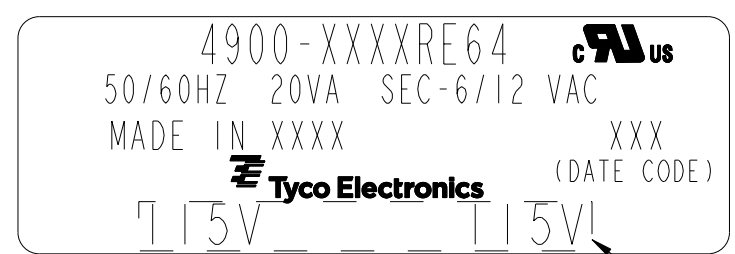
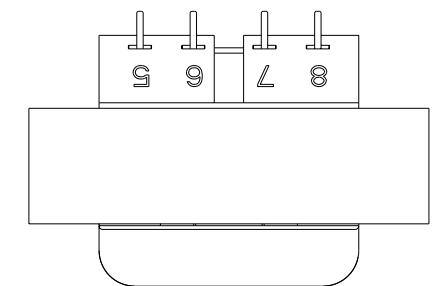
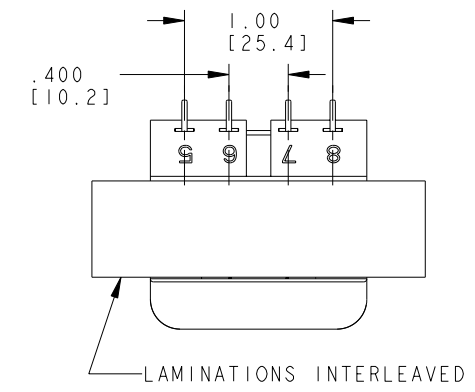
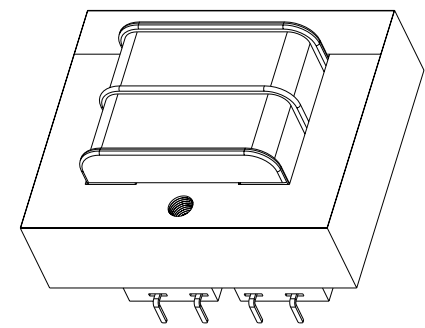
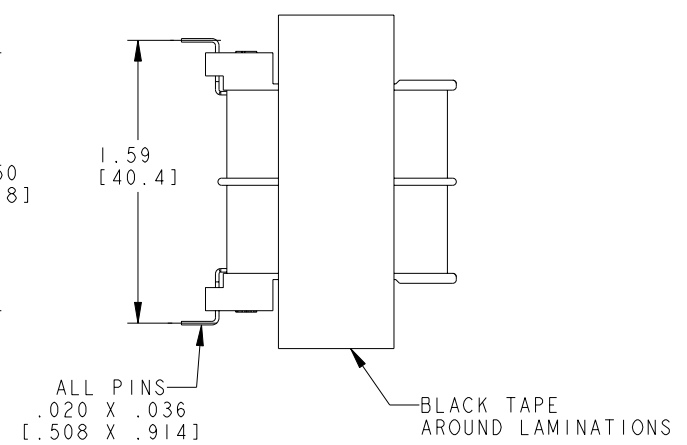
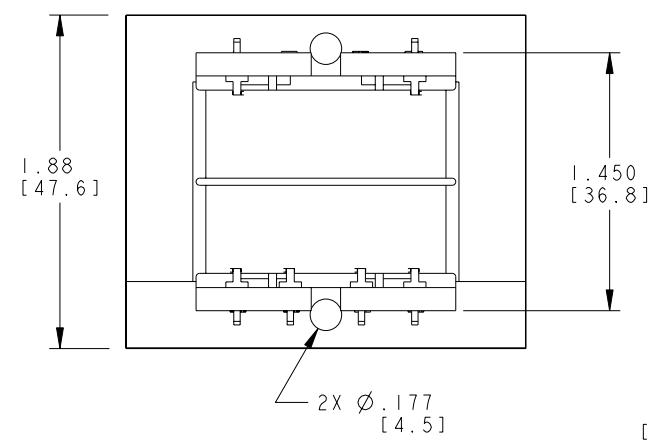
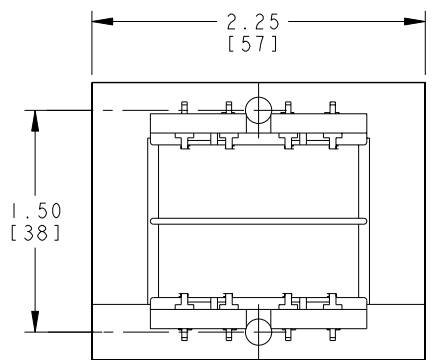
LOC	DIST	REVISIONS					
GZ	00	P	LTR	DESCRIPTION	DATE	DWN	APVD
		B		ECR-09-007281	21APR2009	JS	JH
		C		ECR-09-012204	11JUN2009	JS	DB



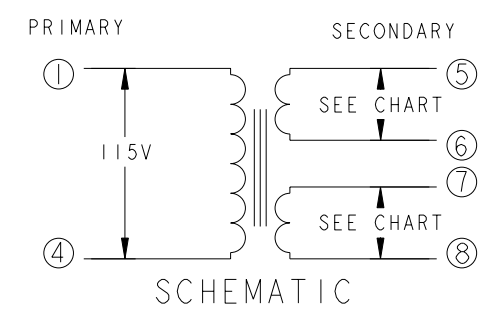
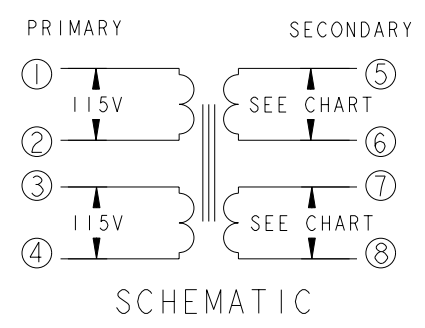
CERTIFICATION: UL/CUL FILE NO. E102980 HZ. 50/60 V.A. 20

DIMENSIONS FOR REFERENCE ONLY

PRIMARY	SECONDARY		P.U. PART NUMBER	TYCO ELECTRONICS PART NUMBER
	SERIES	PARALLEL		
115 VAC	12 VCT	6 VAC	4900-8012RE64	1672326-2
115 VAC	12.6 VCT	6.3 VAC	4900-8013RE64	1672326-3
115 VAC	24 VCT	12 VAC	4900-8024RE64	1672326-6
115 VAC	28 VCT	14 VAC	4900-8028RE64	1672326-7
115 VAC	48 VCT	24 VAC	4900-8048RE64	1-1672326-0
115/230 VAC	12 VCT	6 VAC	4900-9012RE64	1-1672326-4
115/230 VAC	12.6 VCT	6.3 VAC	4900-9013RE64	1-1672326-5
115/230 VAC	24 VCT	12 VAC	4900-9024RE64	1-1672326-8
115/230 VAC	28 VCT	14 VAC	4900-9028RE64	1-1672326-9
115/230 VAC	48 VCT	24 VAC	4900-9048RE64	2-1672326-2



SAMPLE LABEL SCALE: 4:1 VOLTAGE ON LABEL WILL VARY PER MODEL NUMBER.



THIS DRAWING IS A CONTROLLED DOCUMENT FOR TYCO ELECTRONICS CORPORATION. IT IS SUBJECT TO CHANGE AND THE CONTROLLING ENGINEERING ORGANIZATION SHOULD BE CONTACTED FOR THE LATEST REVISION.		DWN J. SLIKE 21APR2009	Tyco Electronics Harrisburg, PA 17105-3608	
DIMENSIONS: INCHES [mm]		CHK J. HURLBURT 21APR2009	NAME TRANSFORMER OUTLINE	
TOLERANCES UNLESS OTHERWISE SPECIFIED:		APVD J. HURLBURT 21APR2009	PRODUCT SPEC	
0 PLC ±		APPLICATION SPEC		
1 PLC ±		WEIGHT		
2 PLC ±.01		SIZE A2		
3 PLC ±.005		CAGE CODE 00779		
4 PLC ±		DRAWING NO. 4900-RE64		
ANGLES ±		RESTRICTED TO		
FINISH		CUSTOMER DRAWING		
		SCALE 5:4 SHEET 1 OF 1 REV C		

Mouser Electronics

Authorized Distributor

Click to View Pricing, Inventory, Delivery & Lifecycle Information:

[TE Connectivity:](#)

[4900-8013RE64](#)