

THIS DRAWING IS UNPUBLISHED.

RELEASED FOR PUBLICATION

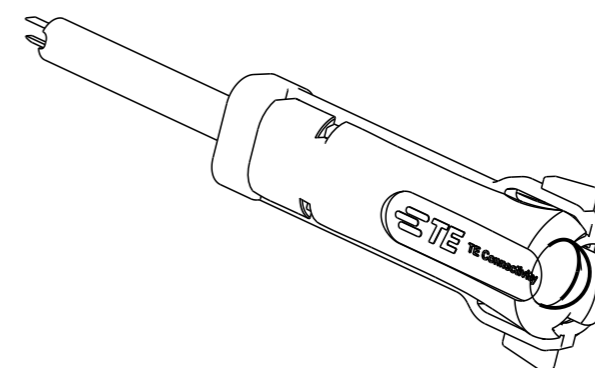
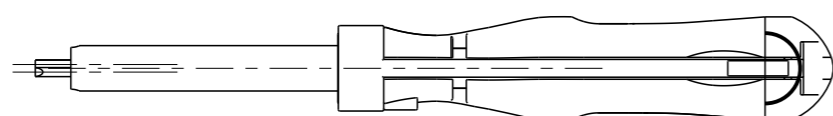
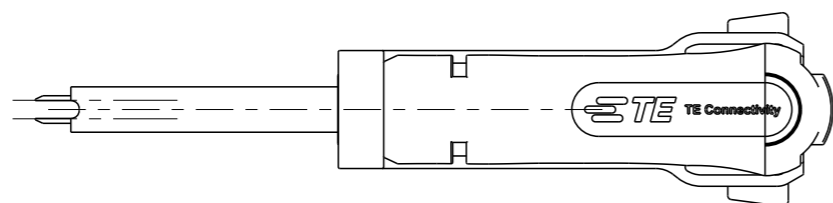
20

© COPYRIGHT 20 BY -

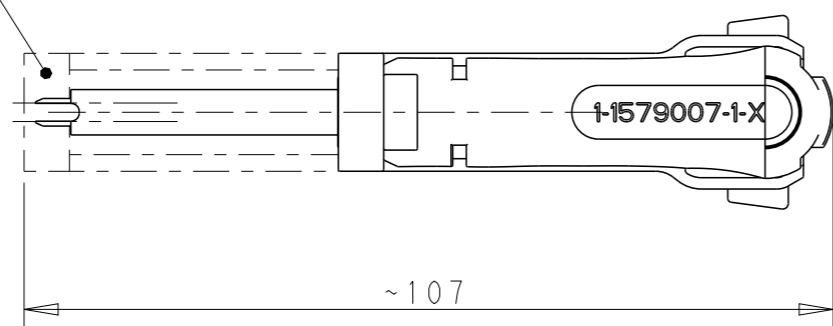
ALL RIGHTS RESERVED.

REVISIONS

P	LTR	DESCRIPTION	DATE	DWN	APVD
	B	ECR-18-007555	28MAY2018	MG	BM



COVER SLIDE
Schutzschieber



FOR CONTACTS: AMP MCP 1.5

(REPLACEMENT FOR TOOL 539968-1)

THIS DRAWING IS A CONTROLLED DOCUMENT.		DWN J. ZAJICEK 25MAR2003			
DIMENSIONS: mm		CHK -			
		APVD -	NAME EXTRACTION TOOL Entriegelungswerkzeug		
TOLERANCES UNLESS OTHERWISE SPECIFIED:		PRODUCT SPEC -	RESTRICTED TO -		
0 PLC ±-		APPLICATION SPEC -	SIZE A3	CAGE CODE 00779	DRAWING NO 1-1579007-1
1 PLC ±-		WEIGHT -	SCALE 1:1 SHEET 1 OF 1 REV B		
2 PLC ±-		CUSTOMER DRAWING			
3 PLC ±-					
4 PLC ±-					
ANGLES ±1					
MATERIAL -					
FINISH -					

Mouser Electronics

Authorized Distributor

Click to View Pricing, Inventory, Delivery & Lifecycle Information:

[TE Connectivity:](#)

[1-1579007-1](#)