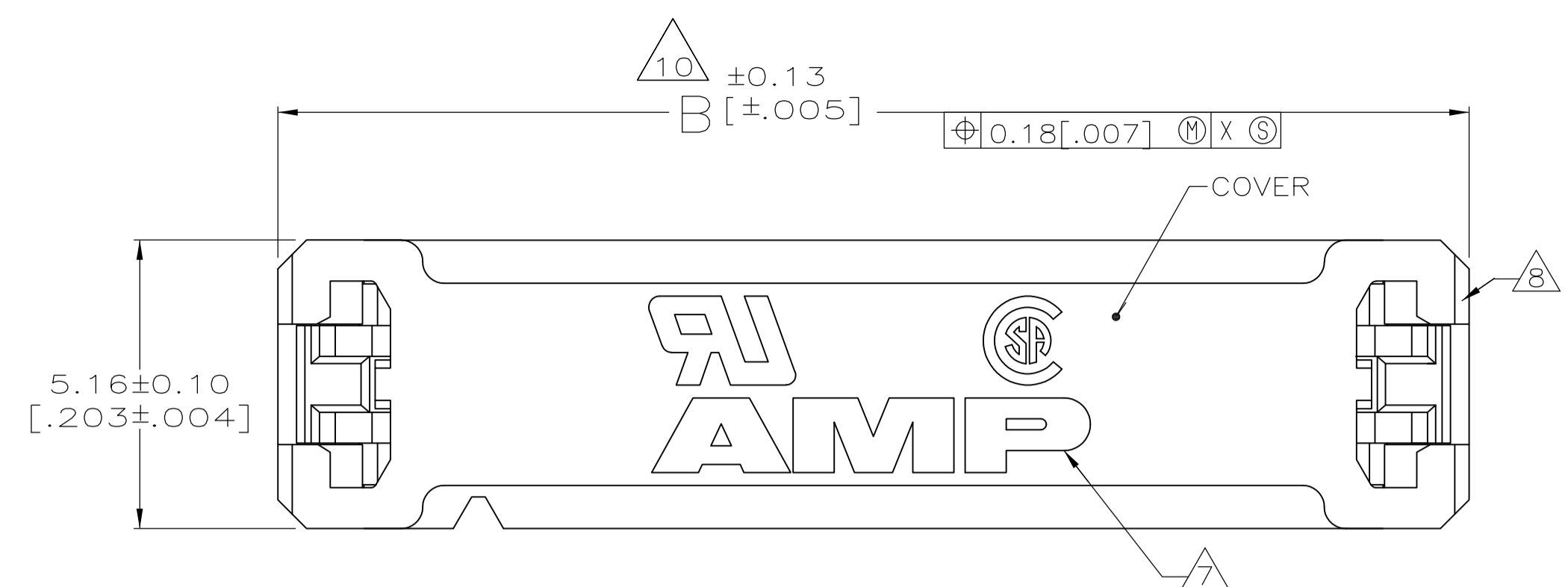
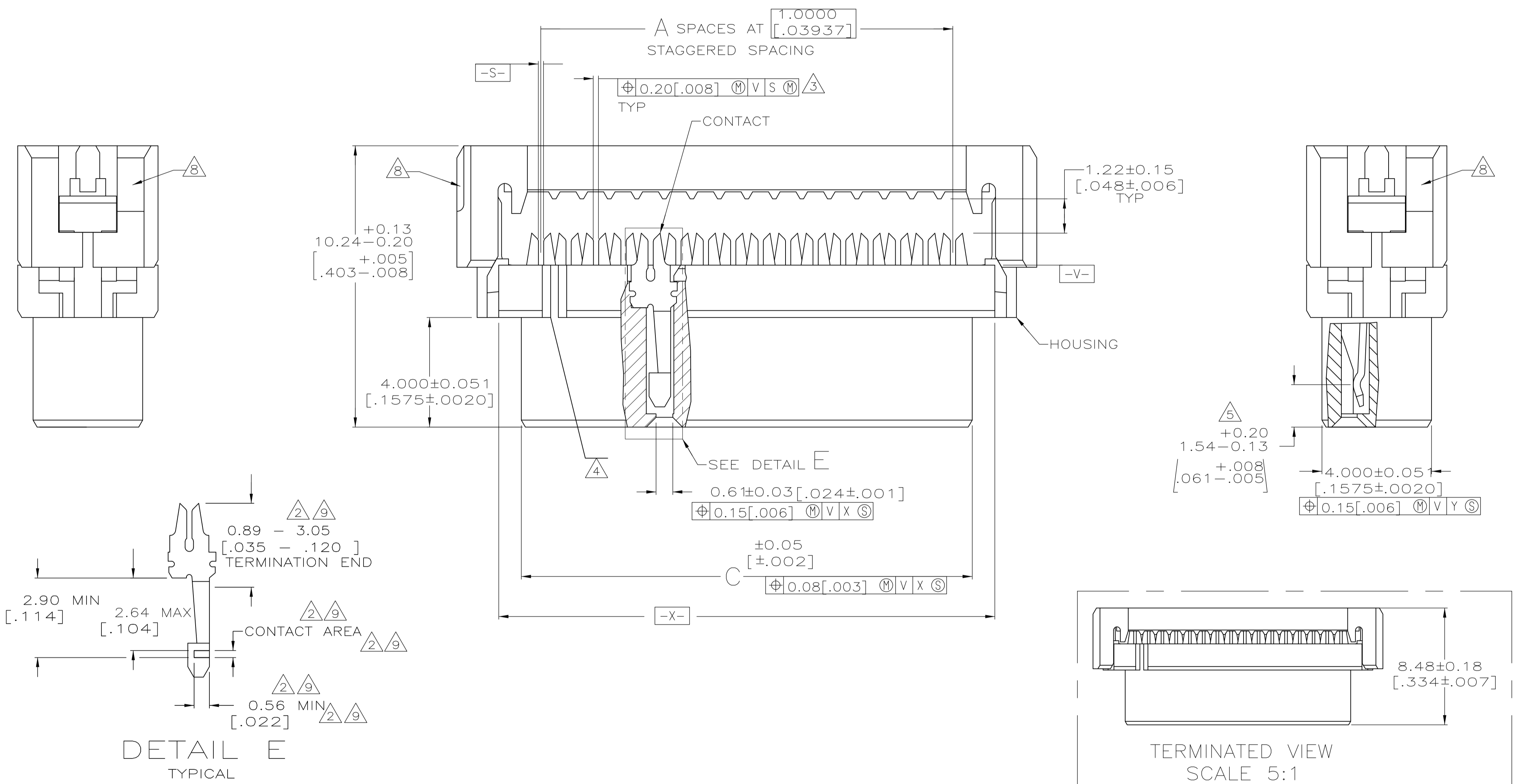


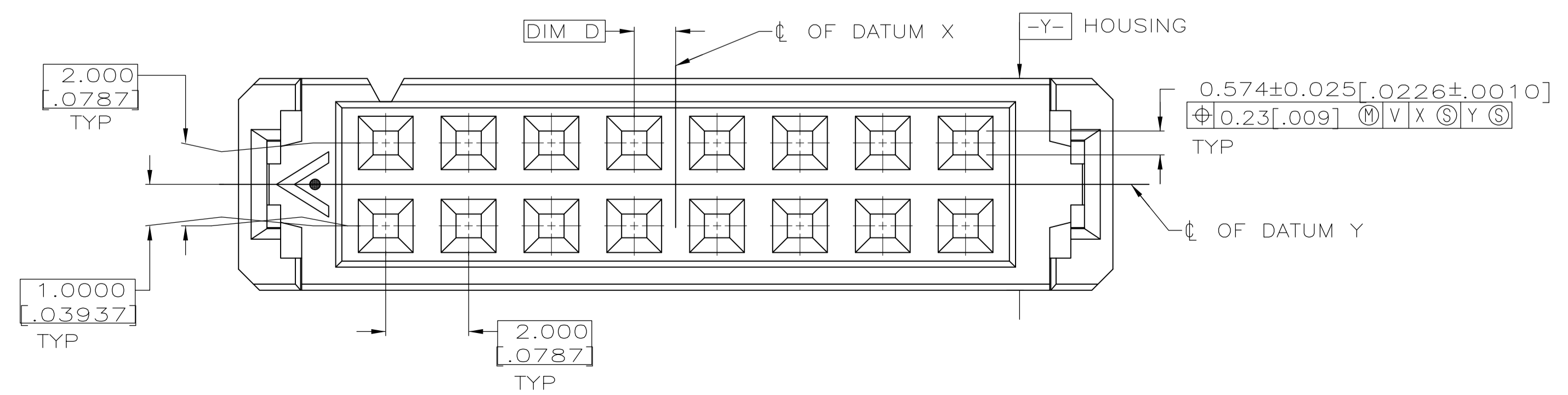
LOC		DIST		REVISIONS			
GP	00	F	LTR	DESCRIPTION	DATE	DMN	APVD
M2	REVISED PER	ECO-11-005033			23MAR11	RK	HMR



- 1 MOLDED PARTS: POLYESTER, UL RATED 94V-0, BLACK. CONTACTS: BERYLLIUM COPPER.
- 2 2.54 μm [.000100] MIN TIN-LEAD ON TERMINATION END, 0.76 μm [.000030] MIN GOLD ON CONTACT AREA, ALL OVER 1.27 μm [.000050] MIN NICKEL.
- 3 POSITION TOLERANCE APPLIES 0.76 [.030] ABOVE DATUM V.
- 4 POSITION NUMBER 1 INDICATOR.
- 5 ELECTRICAL ENGAGEMENT ZONE.
- 6. RECOMMENDED 28 AWG RIBBON CABLE, 0.61 - 0.97 [.024 - .038] THICK PVC, 1.0000 [.03937] PITCH.
- 7 AMP LOGO ORIENTATION IS OPTIONAL.
- 8 RECESS ON EACH END, OPPOSITE CORNER.
- 9 0.13 μm [.000005] MIN GOLD ON TERMINATION END, 0.76 μm [.000030] MIN GOLD ON CONTACT AREA, ALL OVER 1.27 μm [.000050] MIN NICKEL.
- 10 MOLD GATE PROJECTION ON EITHER END OF COVER TO BE EXCLUDED FROM DIMENSION 'B' MEASUREMENT.



REV	DESCRIPTION	DATE	BY	CHKD	APPD
25					
26					
23					
24					
15					
16					
7					
8					
49					
50					
43					
44					
39					
40					
33					
34					
19					
20					
13					
14					
9					
10					
OBSOLETE					
7					
8					
OBSOLETE					
21					
22					
OBSOLETE					
67					
68					
OBSOLETE					
63					
64					
OBSOLETE					
59					
60					
OBSOLETE					
49					
50					
OBSOLETE					
43					
44					
OBSOLETE					
39					
40					
OBSOLETE					
33					
34					
OBSOLETE					
29					
30					
OBSOLETE					
25					
26					
OBSOLETE					
23					
24					
OBSOLETE					
19					
20					
OBSOLETE					
15					
16					
OBSOLETE					
13					
14					
OBSOLETE					
9					
10					



THIS DRAWING IS A CONTROLLED DOCUMENT. DIMENSIONS: mm [INCHES]. TOLERANCES UNLESS OTHERWISE SPECIFIED: 0 PLC ± .005, 1 PLC ± .005, 2 PLC ± .005, 3 PLC ± .005, 4 PLC ± .005. MATERIAL: POLYESTER. FINISH: GOLD/NICKEL/TIN-LEAD. DATE: 02-24-92. C. COBERMAN. J. McCLINTON. NAME: RECEPTACLE ASSY, 2mm CL, AMP-LATCH. SIZE: A1.00779. DRAWING NO: 111626. SCALE: 10:1. SHEET 1 OF 1. REV. M2.

Mouser Electronics

Authorized Distributor

Click to View Pricing, Inventory, Delivery & Lifecycle Information:

[TE Connectivity:](#)

[2-111626-2](#)