

4

3

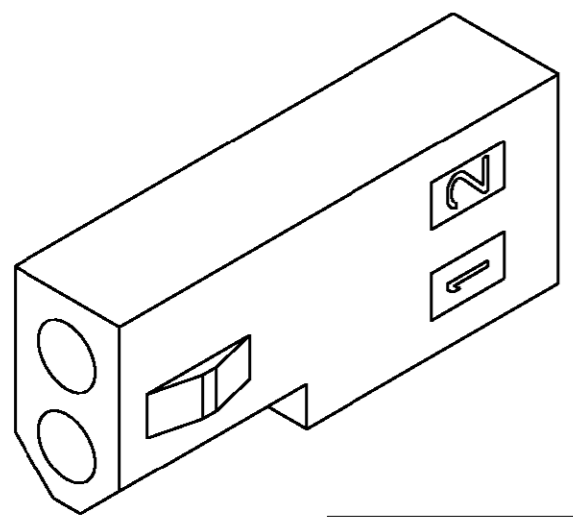
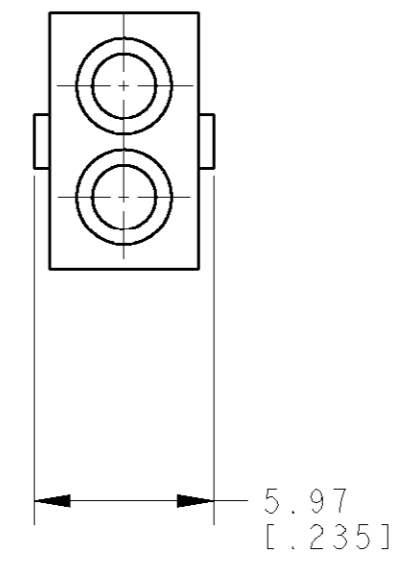
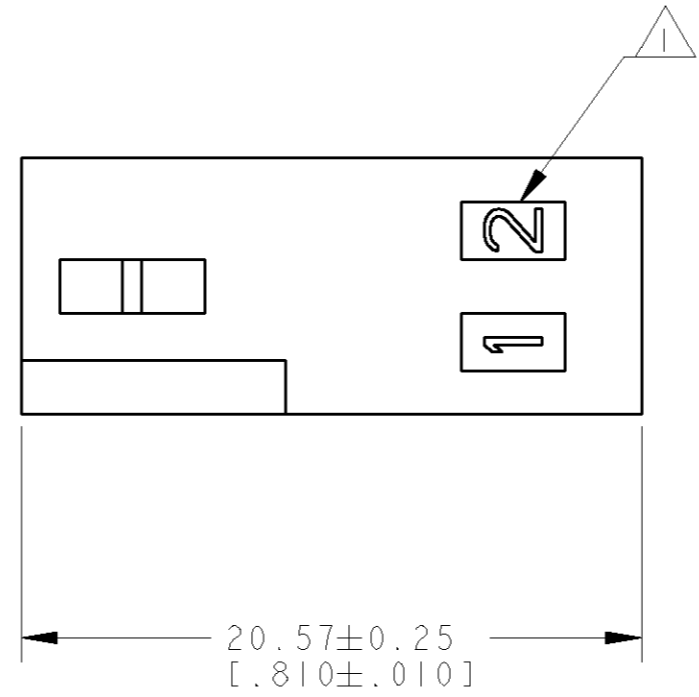
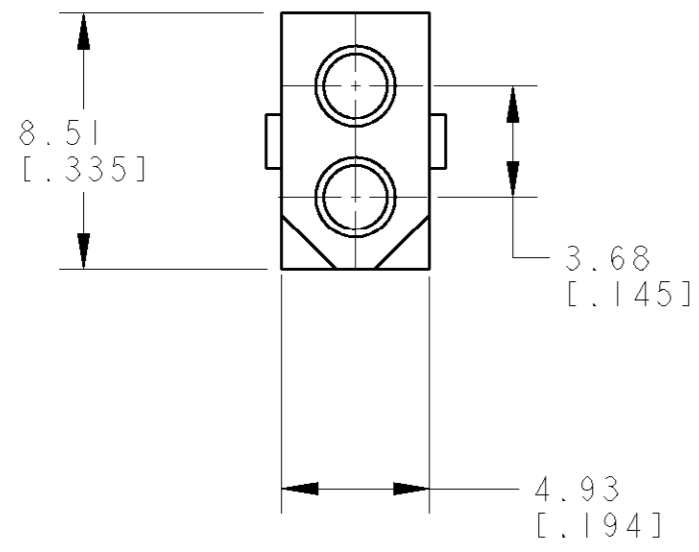
2

1

THIS DRAWING IS UNPUBLISHED. RELEASED FOR PUBLICATION 20  
 © COPYRIGHT 20 BY TYCO ELECTRONICS CORPORATION. ALL RIGHTS RESERVED.

LOC	DIST	REVISIONS					
		P	LTR	DESCRIPTION	DATE	DWN	APVD
CM	00		0	RELEASED PER 0G3B-0254-04	09-JUN-04	SH	DC

△ AMP LOGO AND CAVITY NUMBER LOCATED ON EITHER SURFACE.



**METRIC**

1586128-1  
PART NUMBER

<small>THIS DRAWING IS A CONTROLLED DOCUMENT FOR TYCO ELECTRONICS CORPORATION          IT IS SUBJECT TO CHANGE AND THE CONTROLLING ENGINEERING ORGANIZATION          SHOULD BE CONTACTED FOR THE LATEST REVISION.</small>		DWN K. WHITAKER 05JAN04	Tyco Electronics Harrisburg, PA 17105-3608	NAME RECEPTACLE, 2 CIRCUIT, .062 PIN AND SOCKET
DIMENSIONS: mm [INCHES]		CHK D. COLEY 05JAN04		
		APVD D. COLEY 05JAN04	SIZE CAGE CODE DRAWING NO RESTRICTED TO A3 00779 C-1586128 -	
TOLERANCES UNLESS OTHERWISE SPECIFIED: 0 PLC ±- 1 PLC ±- 2 PLC ±0.13 [.005] 3 PLC ±- 4 PLC ±- ANGLES ±0°30'		PRODUCT SPEC -	SCALE 4:1 SHEET 1 OF 1 REV 0	
MATERIAL NYLON, UL94V-2, BLACK		APPLICATION SPEC -	CUSTOMER DRAWING	
FINISH -		WEIGHT -		

# Mouser Electronics

Authorized Distributor

Click to View Pricing, Inventory, Delivery & Lifecycle Information:

[TE Connectivity:](#)

[1586128-1](#)