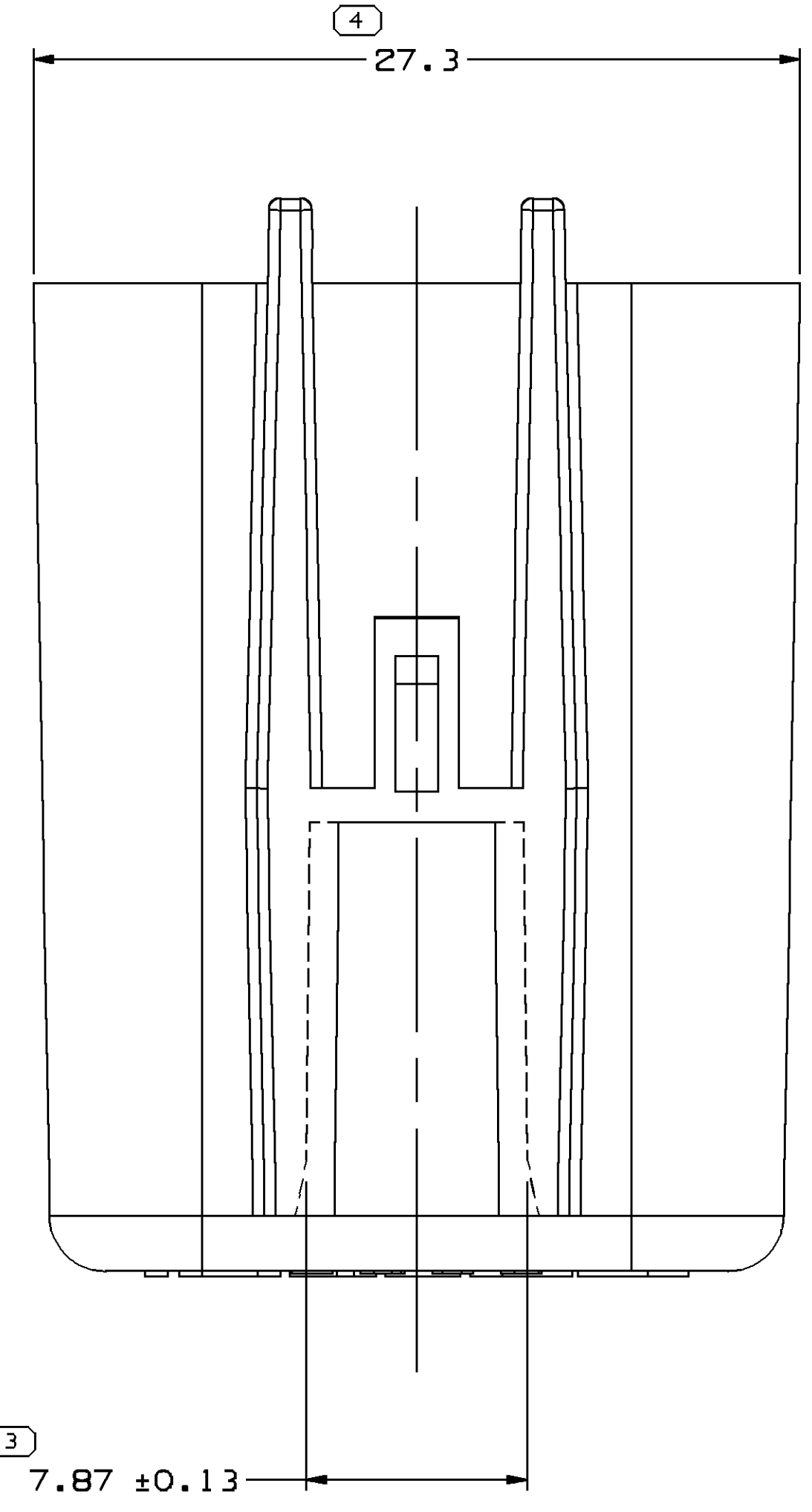
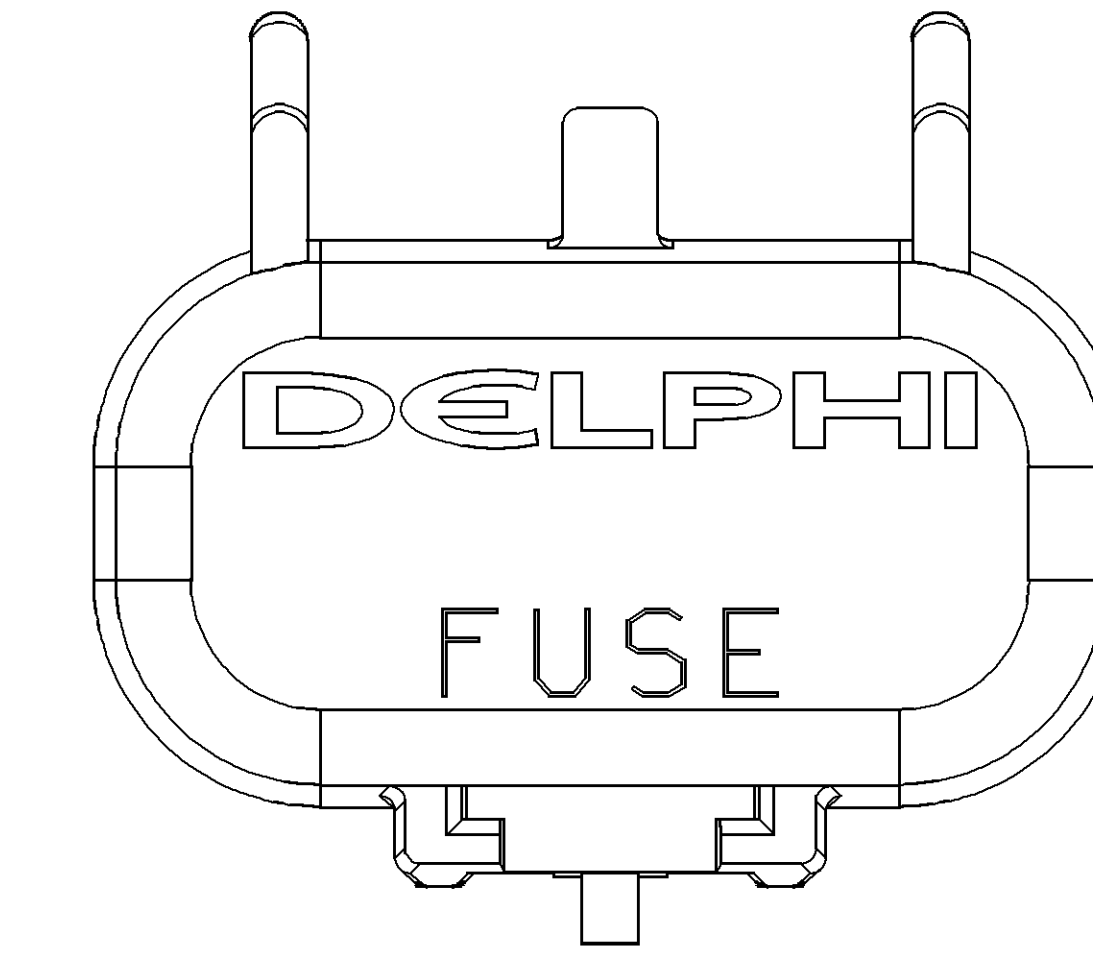
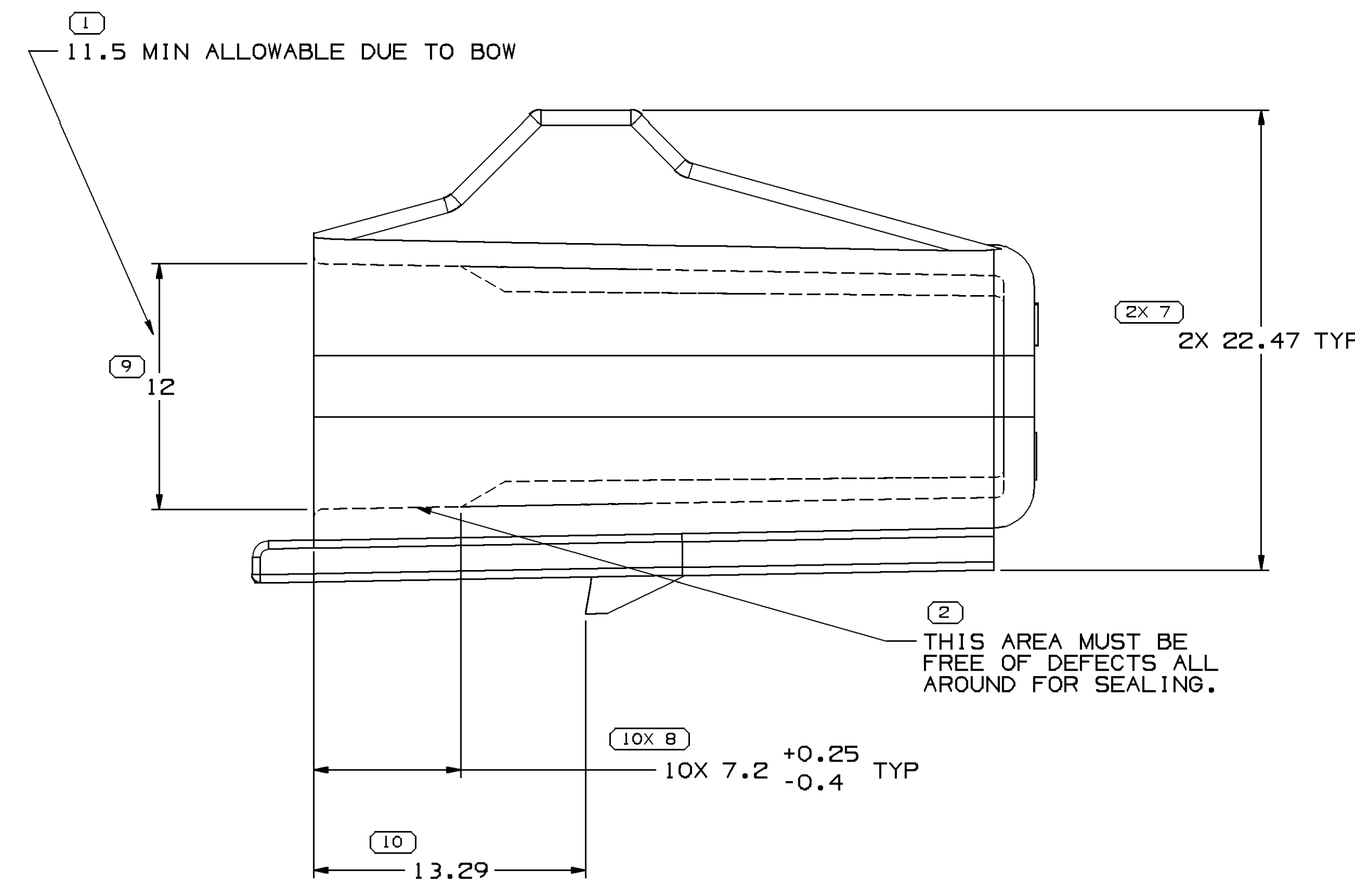
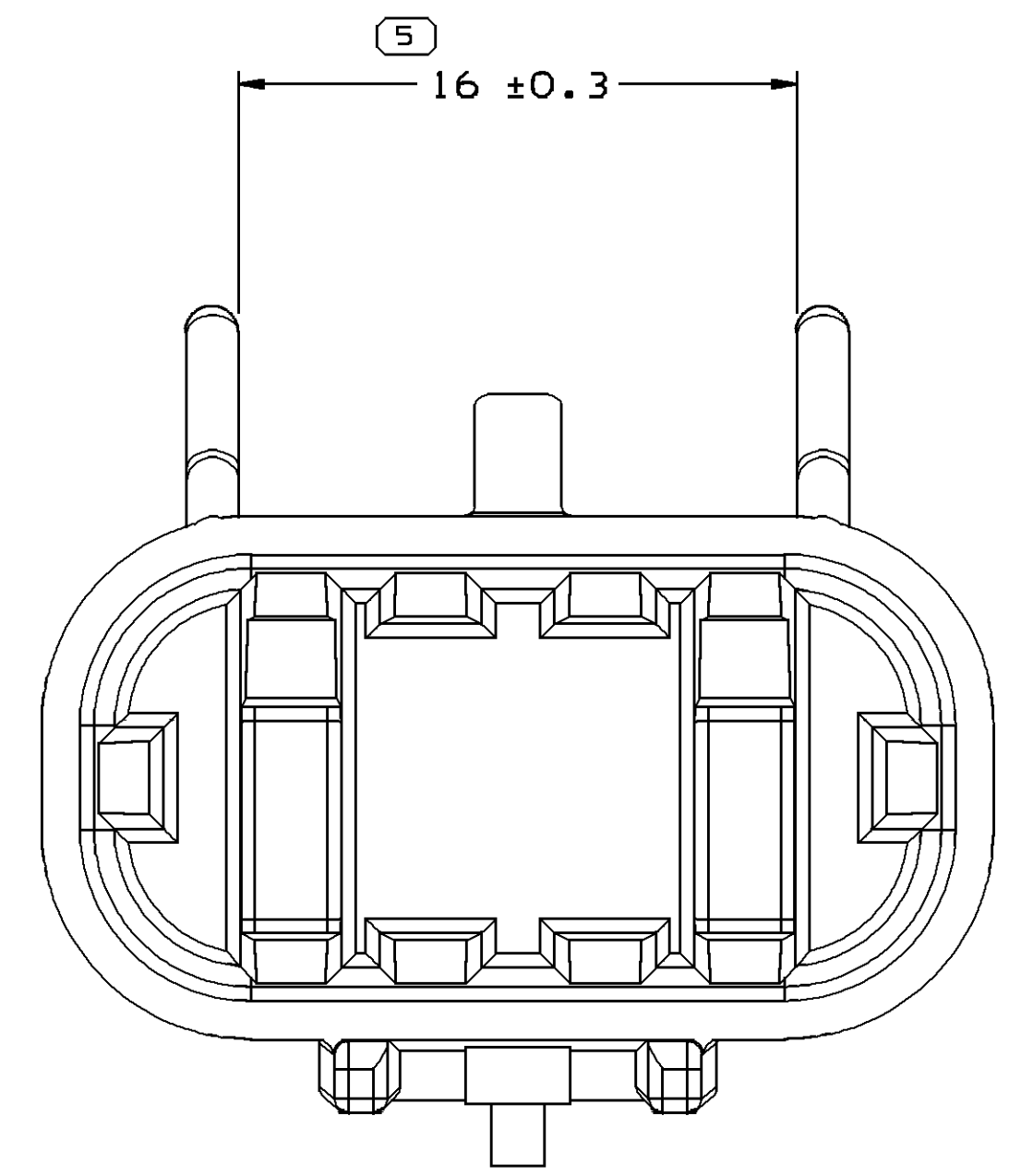
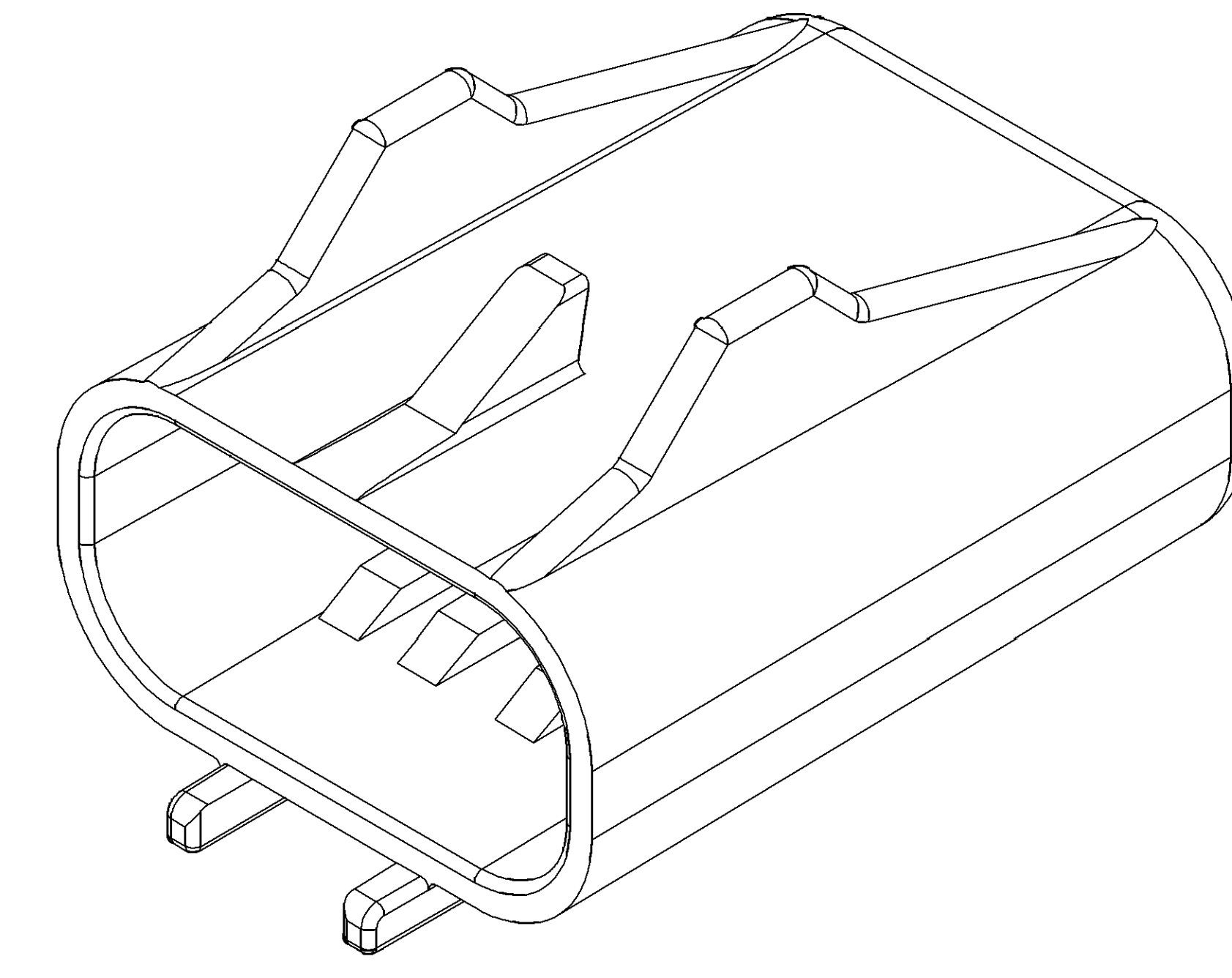
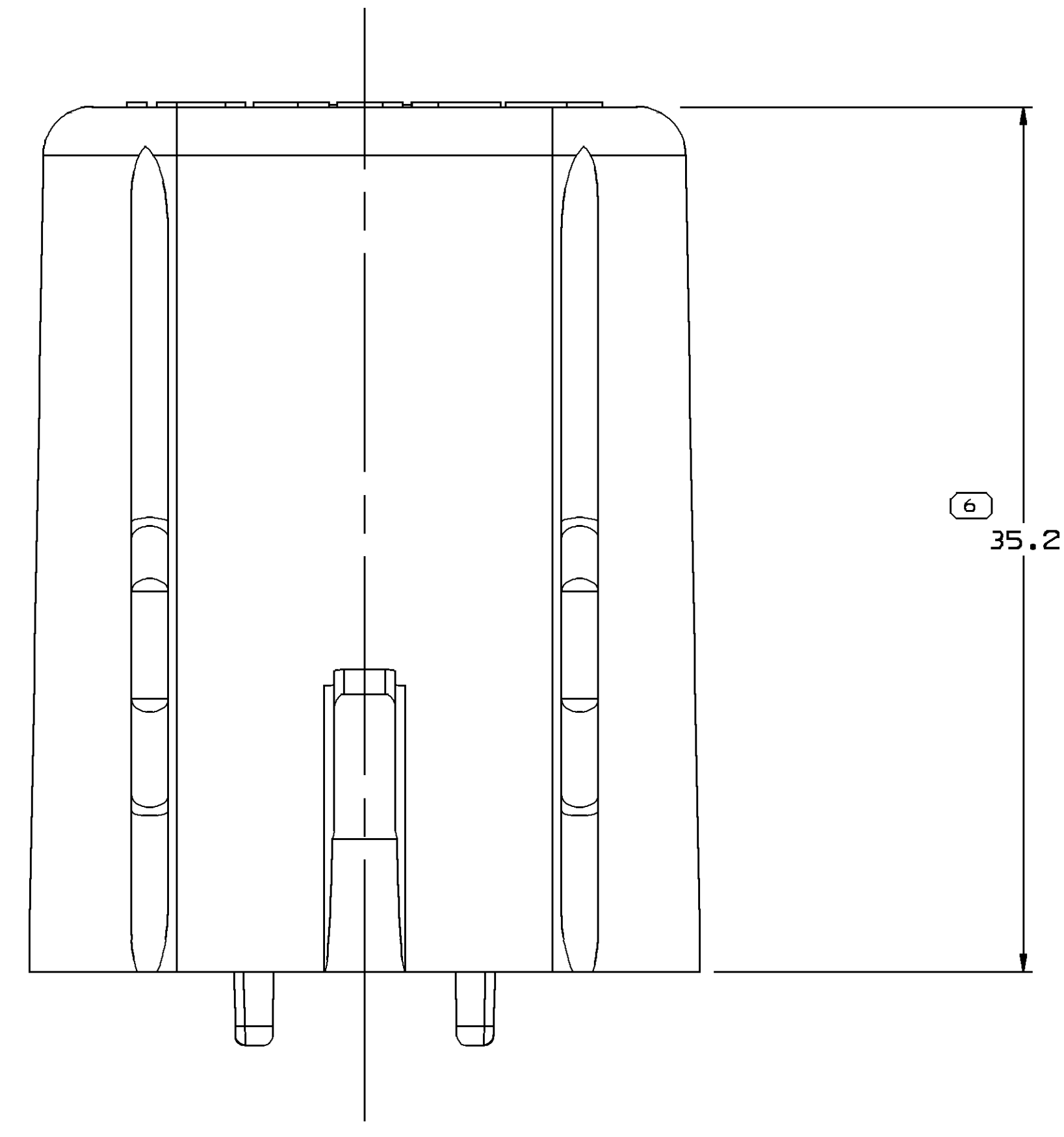


SYMBOL DEFINITION		MISSING SYMBOLS	
A DIMENSION WITHOUT AN INSPECTION REPORT SYMBOL DOES NOT REQUIRE INSPECTION. IT MAY BE CONTROLLED ON THE INDIVIDUAL COMPONENT DRAWING.	TOTAL NO OF INSPECTIONS REQUIRED	NO MISSING SYMBOL NUMBER	
	20		
	LAST NO. USED	10	

DWS STATUS					REVISION HISTORY			AUTH	
DATE	STG	REV	IVP	CHG	ZONE				
190C09	R	01	-	-		RELEASED	409264	RHG	FRG
10N009	R	01	AA	-		CREATED TOO	409455	RHG	ECB
10DE09	R	01	AB	-		REDUCED DELPHI LOGO & UPDATED PDM ATTRIBUTES	409643	RHG	HAD



- NOTES
- UNLESS OTHERWISE SPECIFIED AND/OR INDICATED:
DIMENSIONS ARE TO FACE OF VIEW SHOWN AND AUTOMATICALLY ROUNDED BY COMPUTER FOR INSPECTION (SEE MATH MODEL FOR PRECISE DIMENSIONS). FOR ALL OTHER DIMENSIONS NOT SHOWN BUT REQUIRED FOR TOOL BUILD, SEE MATH MODEL FOR PRECISE TOOL PATH DATA.
 - MATERIAL RECYCLING CODE PER ISO 11469. (2.3)X(10.1) CHARACTERS AS SHOWN TO BE LOCATED ON ANY EXTERIOR SURFACE. OPTIONAL CONSTRUCTION TO BE NO MATERIAL RECYCLING CODE.
 - (2.3)X(10.1) DELPHI CORPORATE BRAND TO BE LOCATED ON ANY EXTERIOR SURFACE, PREFERABLY VISIBLE AT FINAL ASSEMBLY. OPTIONAL CONSTRUCTION FOR EXISTING TOOLING MAY BE "PED".
 - REFERENCE MATING COMPONENTS OR EQUIVALENT:
CONNECTOR & SEAL ASM 12033769
 - THIS PART IS NOT CONTROLLED FOR AUTOMATIC FEEDING.
 - THIS PRODUCT IS NOT CATEGORIZED AS AN APPEARANCE ITEM. MINOR IMPERFECTIONS INCLUDING, BUT NOT LIMITED TO, FLOW MARKS, COLOR BLEMISHES, GATE VESTIGE, AND SOFT FLASH THAT DO NOT AFFECT THE FIT, FORM, OR FUNCTION OF THE PART ARE PERMISSIBLE PER DPNP-4.7-CS-01.

DIMENSIONAL RANGE (MM)		CHART E1	
FROM	TO	>	>
0	20	30	70
20	30	70	100
30	70	100	150
70	100	150	200
100	150	200	250
150	200	250	300
200	250	300	400

6 PROCESS SENSITIVE DIMENSION
DIMENSIONS ENCLOSED IN () INDICATE REFERENCE DIMENSIONS AND NO TOLERANCE LIMITS ARE ESTABLISHED

THIRD ANGLE PROJECTION

DO NOT SCALE USE MATH DATA

DELPHI
DELPHI PACKARD ELECTRICAL/ELECTRONIC ARCHITECTURE
WARREN, OH

DWG TYPE: PART DRAWING

STITLE: 5.512

VOLUME (OMP): 5.512

DISTR CODE: D

UNLESS OTHERWISE SPECIFIED
THIS DOCUMENT IS IN ACCORDANCE WITH ASME Y14.5M-1994 AS MODIFIED BY THE 3D GLOBAL DIMENSIONING AND TOLERANCING ADDENDUM-2001. SEPARATE PATTERNS OF FEATURES MAY BE DIMED SEPARATELY, REGARDLESS OF DATUM REFERENCES.

ALL DIMENSIONS ARE IN MILLIMETERS

REFERENCE:

DRAWING NUMBER: 13736243

SHEET NO: 1 OF 1

REV: 01

APR01 ROBERTO HINOJOSA 190C09

APR02 FCO RESENDIZ 190C09

APR03 ROBERTO HINOJOSA 190C09

APR04

SUBSTANCES OF CONCERN AND RECYCLED CONTENT PER DELPHI 10449901

MATERIAL: POLYAMIDE COMPOUND BLACK

DRAWING NAME: COV FUSE

DATE:

Mouser Electronics

Authorized Distributor

Click to View Pricing, Inventory, Delivery & Lifecycle Information:

[Aptiv:](#)

[13736243](#)