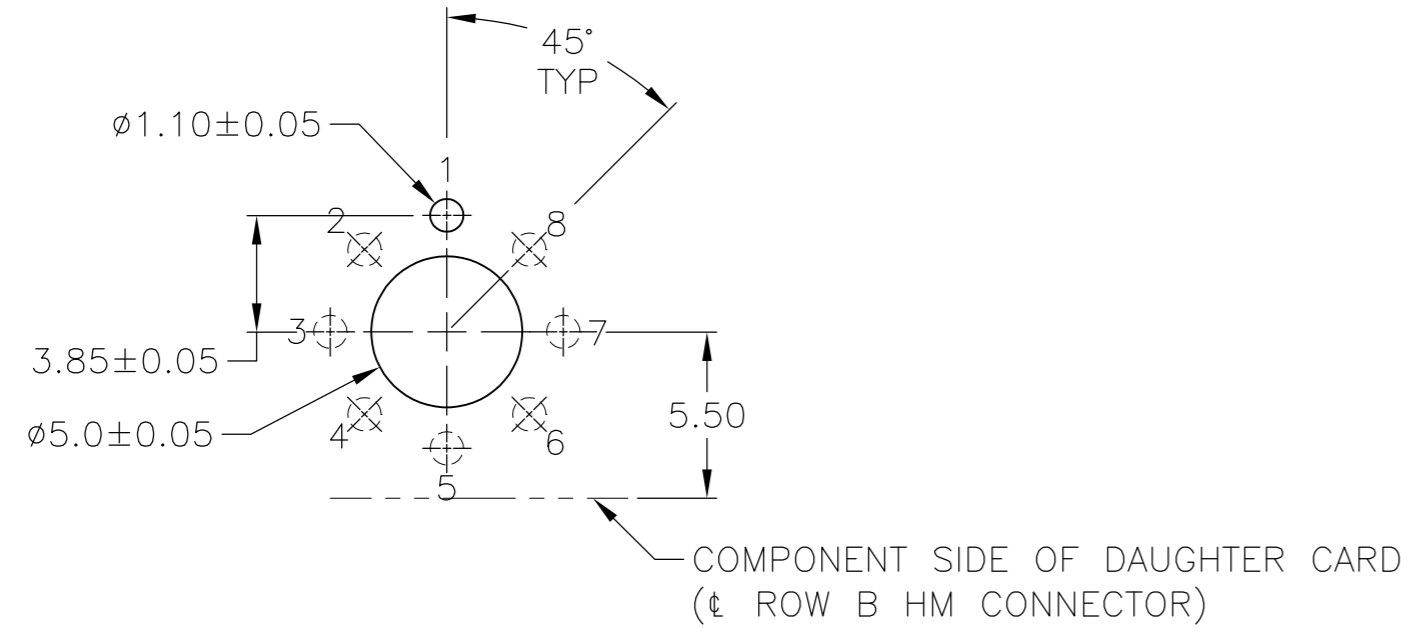
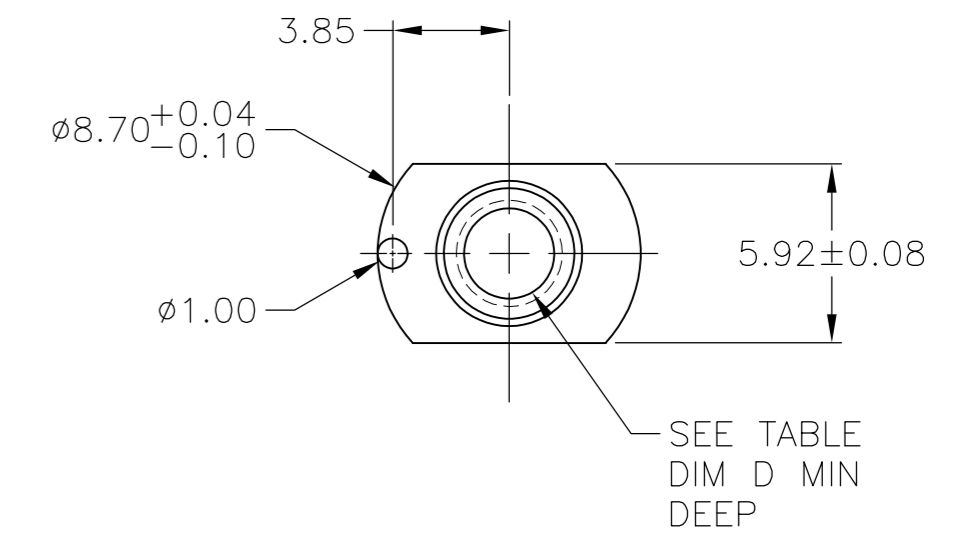
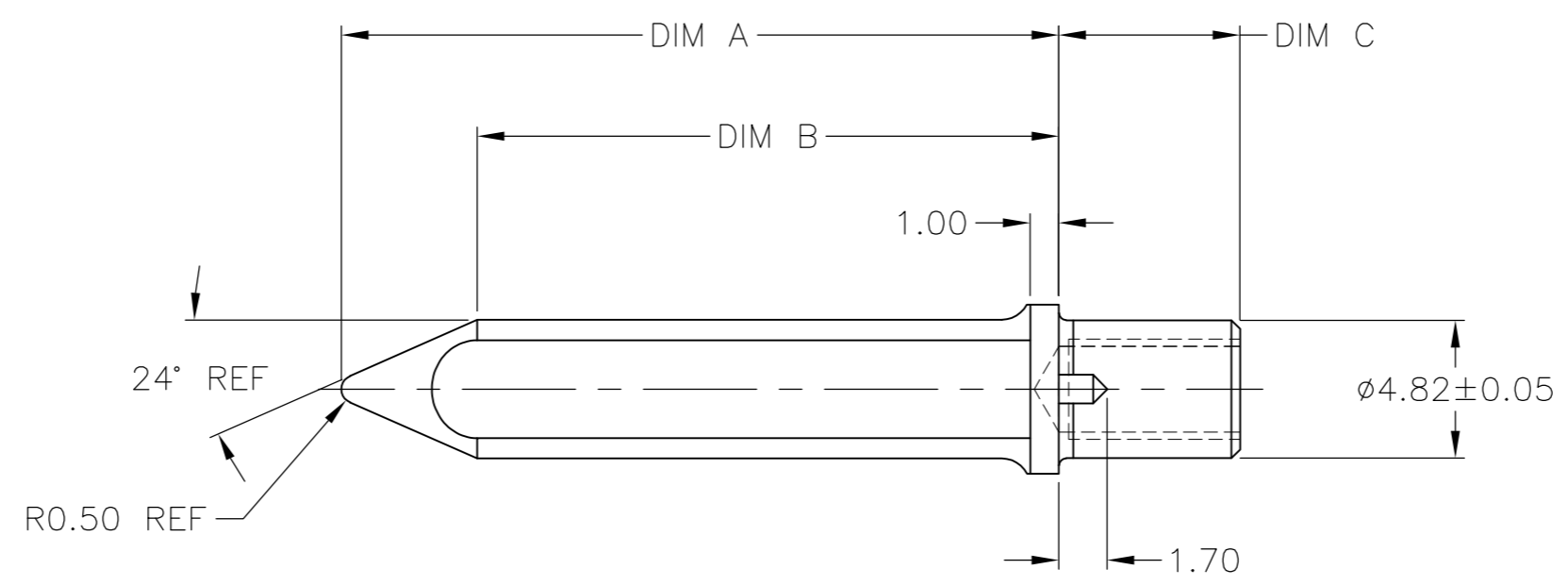
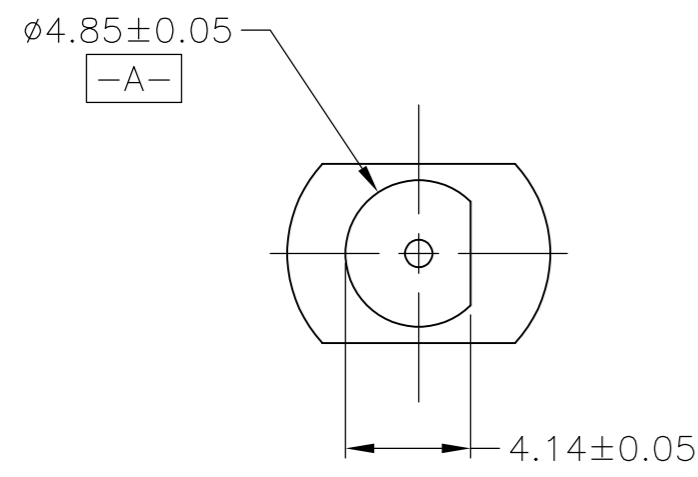


THIS DRAWING IS UNPUBLISHED. RELEASED FOR PUBLICATION  
 © COPYRIGHT - By - ALL RIGHTS RESERVED.

LOC		DIST		REVISIONS			
P	LTR	DESCRIPTION		DATE	DWN	APVD	
AD	00	G2		REVISED PER ECR-14-016256	31OCT2014	ML	SZ

- 1 MATERIAL: ZINC ALLOY DIE CASTING.
- 2 FINISH: CHROMATE CONVERSION COATING. (ROHS COMPATIBLE).
- 3 FINISH: NICKEL PLATING
- 4 TOLERANCE ON DIMENSION "C" IS ±0.05MM



6-32UNC-2B	4.0	3.5	20.39	25.16	2	1	1-5223985-0
6-32UNC-2B	2.9	2.4	20.39	25.16	2	4	5223985-9
6-32UNC-2B	4.65	5.0	20.39	25.16	2	1	5223985-8
4-40UNC-2B	2.6	1.7	20.39	25.16	2	1	5223985-7
6-32UNC-2B	4.65	5.0	20.39	25.16	2	3	5223985-6
6-32UNC-2B	2.2	1.7	20.39	25.16	2	1	5223985-5
6-32UNC-2B	3.45	3.8	20.39	25.16	2	2	5223985-4
6-32UNC-2B	3.0	6.35	24.23	29.00	2	1	5223985-3
6-32UNC-2B	6.0	6.35	20.39	25.13	2	1	5223985-1
THREAD TYPE	DIM D	DIM C	DIM B	DIM A	FINISH	MATERIAL	PART NUMBER

RECOMMENDED P.C. BOARD LAYOUT  
 (POSITION SHOWN USED WITH P/N 223986-1)

THIS DRAWING IS A CONTROLLED DOCUMENT.

DIMENSIONS: mm	TOLERANCES UNLESS OTHERWISE SPECIFIED:	DWN J. POLIGNONE 05APR05	TE Connectivity
		CHK R.PATTERSON 05APR05	
		APVD R.PATTERSON 05APR05	NAME
		PRODUCT SPEC	
MATERIAL SEE TABLE	FINISH SEE TABLE	APPLICATION SPEC	SIZE CAGE CODE DRAWING NO RESTRICTED TO
		WEIGHT	A2 00779 C=5223985
		CUSTOMER DRAWING	SCALE 1:1 SHEET 1 OF 1 REV G2

# Mouser Electronics

Authorized Distributor

Click to View Pricing, Inventory, Delivery & Lifecycle Information:

[TE Connectivity:](#)

[5223985-5](#)