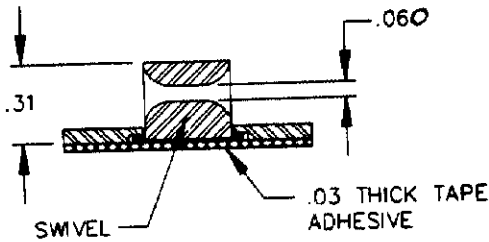
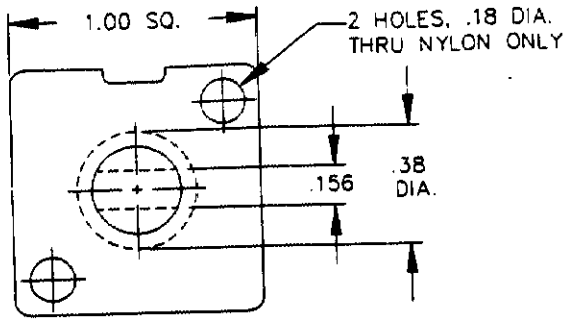


THIS INFORMATION IS CONFIDENTIAL AND IS DISCLOSED TO YOU ON CONDITION THAT NO FURTHER DISCLOSURE IS MADE BY YOU TO OTHER THAN AMP PERSONNEL WITHOUT WRITTEN AUTHORIZATION FROM AMP INCORPORATED, HARRISBURG, PA.



- NOTES:
1. ACCEPTS CABLE TIES WITH TENSILE VALUE UP TO 30 LBS. MAXIMUM.
  2. PACKAGED 100 PCS. PER POLY BAG. SEALED AND WITH LABEL OR PRINTED MARKING OF AMP NAME AND PART NUMBER.
  3. \* INACTIVE.

CUSTOMER DRAWING UNPUBLISHED

607847-2*	WITHOUT ADHESIVE
607847-1	AS SHOWN WITH ADHESIVE

LOC D	PART No.		DESCRIPTION		ITEM
DIST 1	REVISION OF EACH ASSY NO. (WHEN BLANK, USE DWG REVISION)				
QTY. REQ'D. PER ASSY.		PARTS LIST			
		MATERIAL NYLON	HEAT TREAT <i>nr</i>	FINISH <i>nr</i>	
		DIMEN: IN'S ARE IN INCHES TOLERANCES UNLESS OTHERWISE SPECIFIED: 2 PL DEC ± .02 3 PL DEC ± .01 4 PL DEC ± ANGLES ± SURF TEXTURE: <input checked="" type="checkbox"/>	DRAWN BY: M.J. ZGLESZEWSKI	DATE: 8/20/90	APPROVED BY:
		REMOVE BURRS. BREAK SHARP EDGES. .015 R. MAX.	CHECK BY:	RELEASE: <i>J. Hamed 8/90</i>	
			<b>AMP</b>   AMP INCORPORATED Harrisburg, Pa.		
			NAME: CABLE TIE MOUNT SWIVEL BASE		
	C	ECN 081590	FH	B-90	
P	F	LTR	APP	DATE	
REVISION RECORD		SCALE: A	DRAWING No. 607847		SHEET: 1:1
				REV: C	

# Mouser Electronics

Authorized Distributor

Click to View Pricing, Inventory, Delivery & Lifecycle Information:

[TE Connectivity:](#)

[607847-1](#)