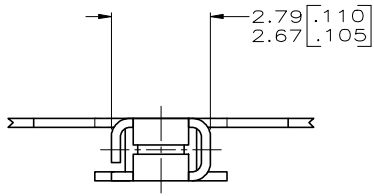
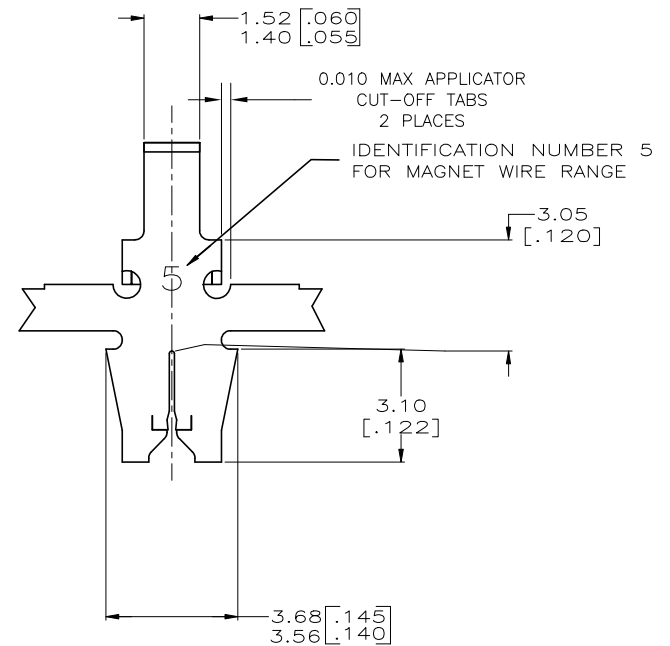
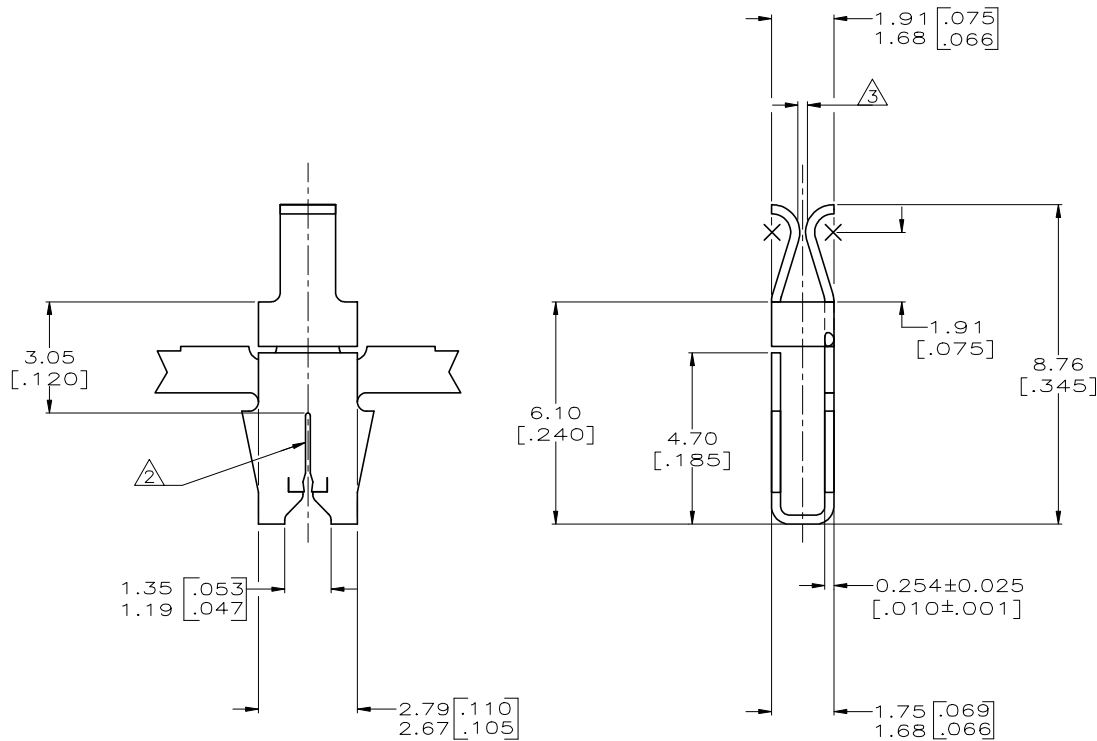


LOC		DIST		REVISIONS			
P	LTR	DESCRIPTION	DATE	DWN	APVD		
AF	50	B1	REVISED PER ECR-19-001235	04FEB2019	BDA	SV	



- 1 CONTINUOUS STRIP ON REELS WITH TERMINALS LOCATED ON 8.38 ± 0.08 $[\.330 \pm .003]$ CENTERS.
- ② SLOT ACCEPTS EITHER A SINGLE OR DOUBLE MAGNET WIRE OF THE SAME SIZE AND TYPE.
COPPER RANGE: 0.20-0.23mm [#32-#31] AWG.
- ③ FITS A 0.508 ± 0.025 $[\.020 \pm .001]$ THICK TAB.



1217538-1
PART NUMBER

THIS DRAWING IS A CONTROLLED DOCUMENT.		DWN MICHAEL S. FEHER 13NOV2000	 TE Connectivity
		CHK KURT A. RANDOLPH 13NOV2000	
DIMENSIONS: mm[INCHES]		APVD KURT A. RANDOLPH 13NOV2000	NAME
TOLERANCES UNLESS OTHERWISE SPECIFIED: 0 PLC ±- 1 PLC ±- 2 PLC ±0.25[.010] 3 PLC ±- 4 PLC ±- ANGLES ±-		PRODUCT SPEC 108-2012	RECEPTACLE, TAB, MAG-MATE™
MATERIAL H04 PHOS. BRONZE		FINISH TIN PLATE	APPLICATION SPEC 97-1039-190
		SIZE A200779	CAGE CODE 1217538
		WEIGHT -	DRAWING NO 1217538
		CUSTOMER DRAWING	RESTRICTED TO -
		SCALE 10:1	SHEET 1 OF 1
			REV B1