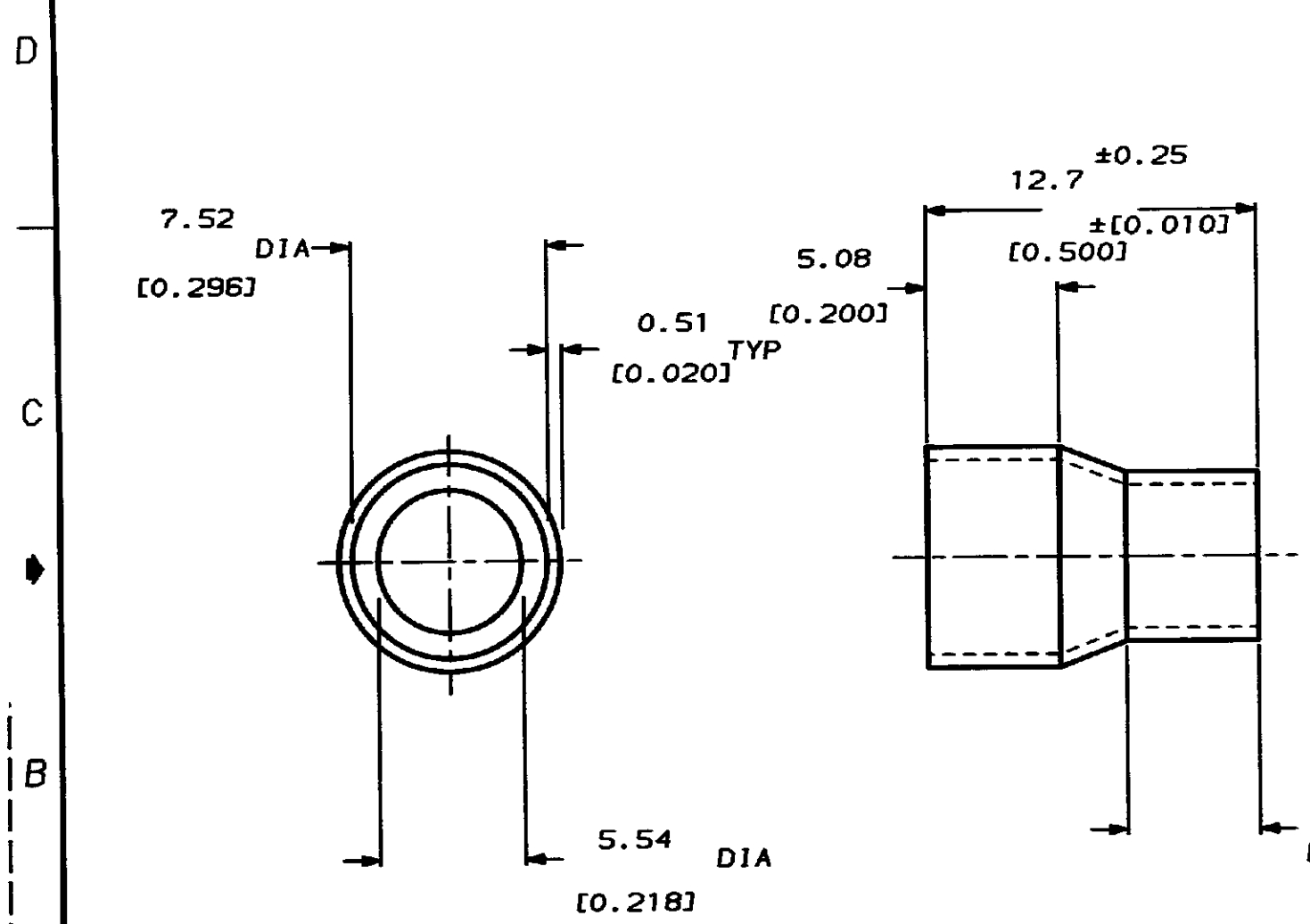


DRAWING MADE IN THIRD ANGLE PROJECTION

THIS DRAWING IS UNPUBLISHED. RELEASED FOR PUBLICATION, 19
 © COPYRIGHT 19 BY AMP INCORPORATED, HARRISBURG, PA. ALL INTERNATIONAL RIGHTS RESERVED. AMP PRODUCTS MAY BE COVERED BY U.S. AND FOREIGN PATENTS AND/OR PATENTS PENDING.

REVISIONS						
P	F	ZONE	LTR	DESCRIPTION	DATE	APPROVED
			A	REVISED PER AF0305	1/23/84	SS/
			B	REVISED PER AF0372	7/22/84	SS/
			C	RELEASED PER P.A.R.	8/28/84	SS/
			D	REV PER AF 4854	6/29/87	dh/



- 1 DIMENSIONS IN BRACKETS ARE IN INCHES
- 2 INSULATION RANGE: 5.39-4.55 [0.212-0.179]

520436-1

PART NO

UNLESS OTHERWISE SPECIFIED DIMENSIONS ARE IN INCHES. TOLERANCES ON DECIMALS ±0.38 (0.015) ANGLES ±	CONTRACT NO	AMP AMP INCORPORATED Harrisburg, Pa.	
	DR <i>[Signature]</i> 4/2/84		
MATERIAL	CHK <i>[Signature]</i> 9/2/84	NAME	
COPPER	APPD <i>[Signature]</i> 8/30/84	SDL FERRULE STYLE A (8 POSITION)	
FINISH	DSGN APPD	SIZE	FSCM NO
BRIGHT TIN	OTHER APPD	B	00779
		SCALE	DRAWING NO
			520436
			SHEET

Mouser Electronics

Authorized Distributor

Click to View Pricing, Inventory, Delivery & Lifecycle Information:

[TE Connectivity:](#)

[520436-1](#)