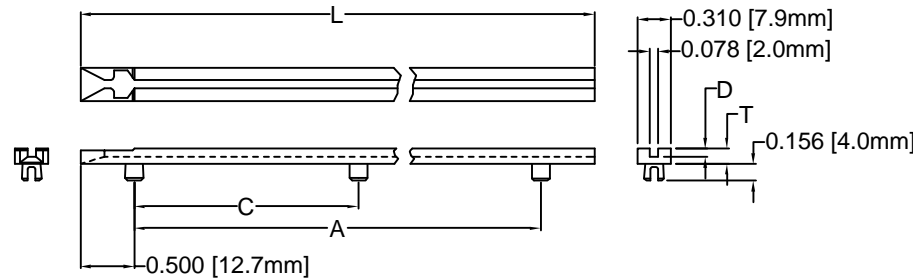
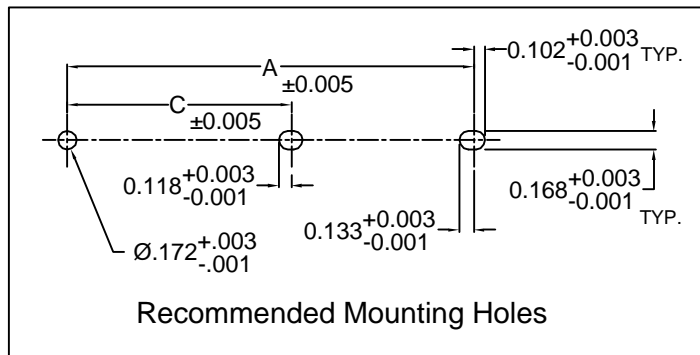


REV.	DESCRIPTION	DATE	APPROVED
C	Engineering Update w/o Changes	02/26/04	M. C.

PART NO.	L ±.062 (1.6)	A ±.032 (.81)	C +.016 (.41) -.032 (.81)	D ±.005 (.1)	T ±.005 (.1)
FR-200	1.969 (50.0)	.984 (25.0)	N/A	.078 (2.0)	.125 (3.2)
FR-250	2.469 (62.7)	1.484 (37.7)	N/A	.078 (2.0)	.125 (3.2)
FR-300	2.969 (75.4)				
FR-350	3.469 (88.1)				
FR-400	3.939 (100.0)	2.969 (75.4)	N/A	.078 (2.0)	.125 (3.2)
FR-450	4.438 (112.7)				
FR-500	4.938 (125.4)				
FR-550	5.438 (138.1)				
FR-600	5.906 (150.0)				
FR-650	6.406 (162.7)	5.969 (151.6)	N/A	.078 (2.0)	.125 (3.2)
FR-700	6.875 (174.6)				
FR-750	7.375 (187.3)				
FR-800	7.875 (200.0)				



PART NO.	L ±.062 (1.6)	A +.016 (.41) -.047 (1.2)	C +.016 (.41) -.032 (.81)	D ±.005 (.1)	T ±.007 (.2)
FR-850	8.375 (212.7)	7.469 (189.7)	3.735 (94.9)	.078 (2.0)	.141 (3.6)
FR-900	8.875 (225.4)				
FR-950	9.375 (238.1)				
FR-1000	9.875 (250.8)	10.406 (264.3)	5.203 (132.2)	.078 (2.0)	.141 (3.6)
FR-1050	10.375 (263.5)				
FR-1100	10.875 (276.2)				
FR-1150	11.344 (288.1)				
FR-1200	11.844 (300.8)				
FR-1250	12.344 (313.5)				
FR-1300	12.812 (325.4)				
FR-1350	13.312 (338.1)				
FR-1400	13.812 (350.8)				



2. MATERIAL: NYLON 6/6, 94V-0, RUST. BIVAR MATERIAL CODE 20-RT.
RTP NYLON 6/6 0299 X 65077 B SC-92053, RUST OR MODIFIED PLASTICS MN6/6-SE RUST.
1. GENERAL SPECIFICATIONS: BIVAR MOLDED COMPONENT SPECIFICATION BV00-E101.

STANDARD TOLERANCE (UNLESS OTHERWISE SPECIFIED)	
DECIMALS	ANGULAR
.X ±.1	X° ±1°
.XX ±.01	
.XXX ±.005	

BIVAR[®]

4 THOMAS, IRVINE, CA. 92618
TEL: (949) 951-8808 FAX: (949) 951-3974

TITLE: FLAME RETARDANT CARD GUIDE

DESIGNED: David Green	DATE: 01/22/03
CHECKED: M. Chen	DATE: 01/22/03

PART NO: FR-XXX	REVISION: C
CAGE CODE : 32559	SHEET # 1 OF 1
CAD GENERATED DOCUMENT, DO NOT MEASURE DRAWING.	

Mouser Electronics

Authorized Distributor

Click to View Pricing, Inventory, Delivery & Lifecycle Information:

BIVAR:

[FR-1000](#) [FR-1050](#) [FR-1100](#) [FR-1150](#) [FR-1200](#) [FR-1250](#) [FR-1300](#) [FR-1350](#) [FR-200](#) [FR-200-CI](#) [FR-250](#) [FR-300](#)
[FR-300-CI](#) [FR-350](#) [FR-450](#) [FR-450-CI](#) [FR-550](#) [FR-550-CI](#) [FR-600](#) [FR-600-CI](#) [FR-650](#) [FR-750](#) [FR-750-CI](#) [FR-](#)
[800](#) [FR-800-CI](#) [FR-850](#) [FR-900](#) [FR-900-CI](#) [FR-950](#)