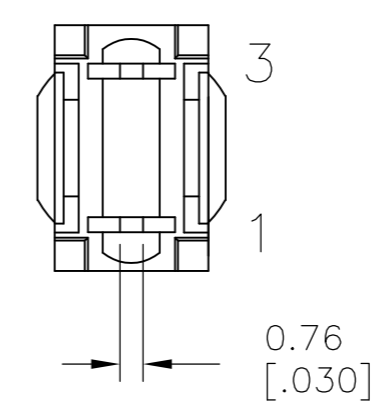
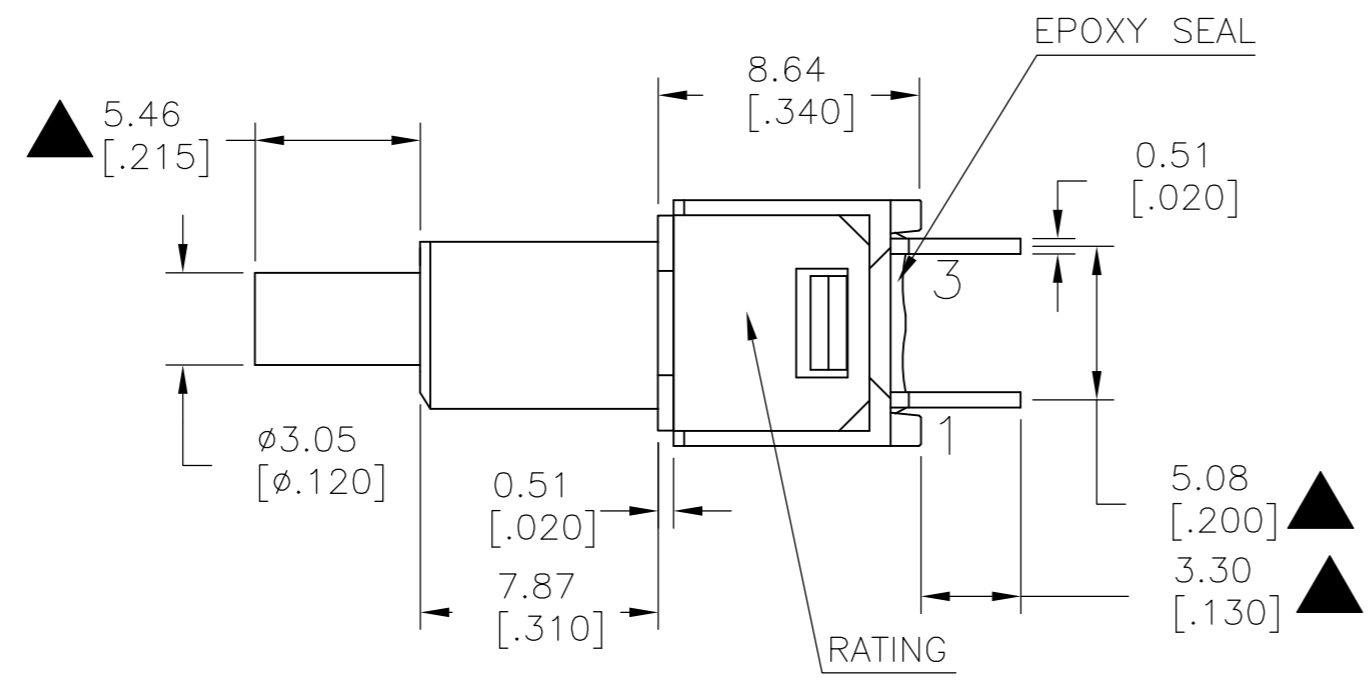
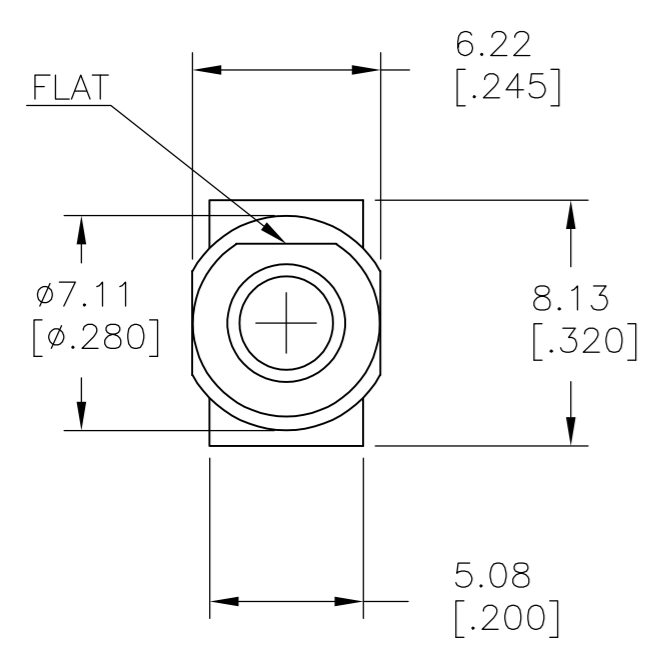


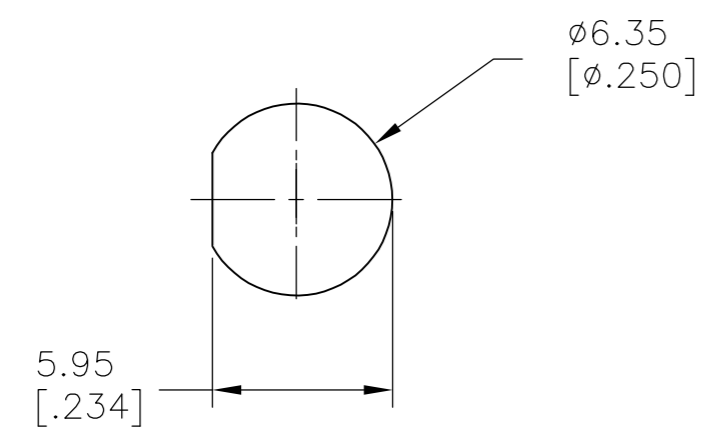
THIS DRAWING IS UNPUBLISHED. RELEASED FOR PUBLICATION
 © COPYRIGHT - By - ALL RIGHTS RESERVED.

LOC		DIST		REVISIONS			
P	LTR	DESCRIPTION	DATE	DWN	APVD		
-	-	A1	REVISED PER ECO-15-014342	07OCT2015	NK	RH	

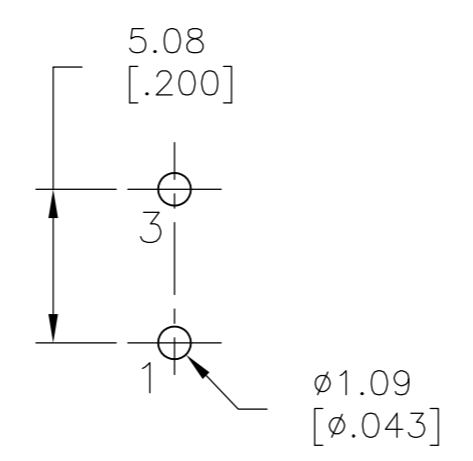


MODEL NO.	POS.1	POS.2
PMS9	OFF	MOM
TERM. COMM.	OPEN	
SCHEMATIC		

SWITCH FUNCTION



PANEL MOUNTING



P.C. MOUNTING

LAYOUT FOR PN 2267075-1

SPECIFICATIONS

- MECHANICAL LIFE: 50,000 MAKE-AND-BREAK CYCLES.
- CONTACT RESISTANCE: 20 mΩ MAX. INITIAL @ 2-4VDC 100mA FOR BOTH SILVER AND GOLD PLATED CONTACTS.
- CONTACT RATING: SILVER PLATED: 3A @120 VAC OR 28 VDC, 1A @250 VAC
GOLD PLATED: 0.4VA MAX @20 V MAX (AC OR DC)
- INSULATION RESISTANCE: 1,000 MΩ MIN.
- DIELECTRIC STRENGTH: 1,000 Vrms MIN.@SEA LEVEL.
- OPERATING TEMPERATURE: -30°C TO 85°C.

GOLD	OFF-MOM	PC THROUGH HOLE	RIGHT ANGLE	1	1	PMS9P1B08M6RE	2267075-2
GOLD	OFF-MOM	PC THROUGH HOLE	VERTICAL	1	1	PMS9P1B08M2RE	2267075-1
CONTACT MATERIAL	FUNCTION	TERMINATION	MOUNT ANGLE	POLES	THROWS	DESCRIPTIVE PN	TE PN

THIS DRAWING IS A CONTROLLED DOCUMENT.

DWN	10JUL2014	NAGALAKSHMI K
CHK	10JUL2014	HILL, RYAN
APVD	10JUL2014	HILL, RYAN
PRODUCT SPEC		
APPLICATION SPEC		
WEIGHT	-	
CUSTOMER DRAWING		

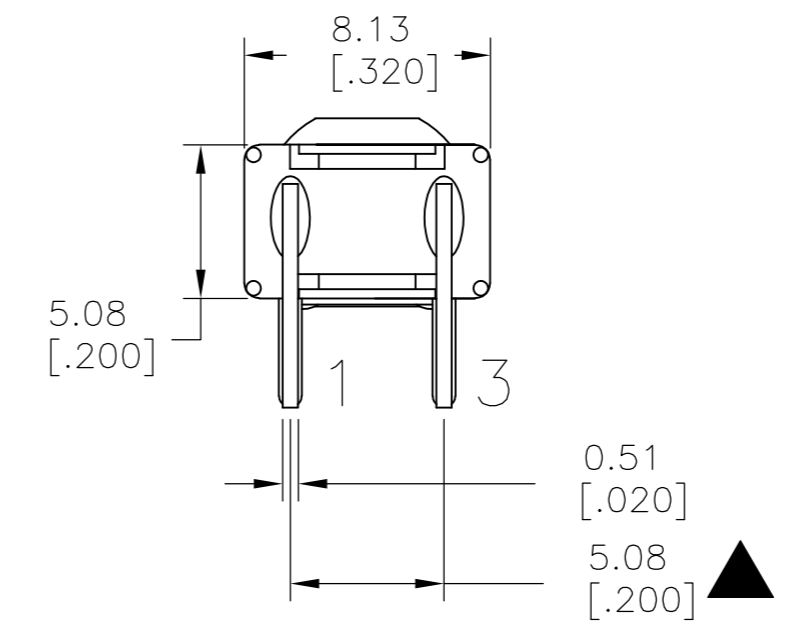
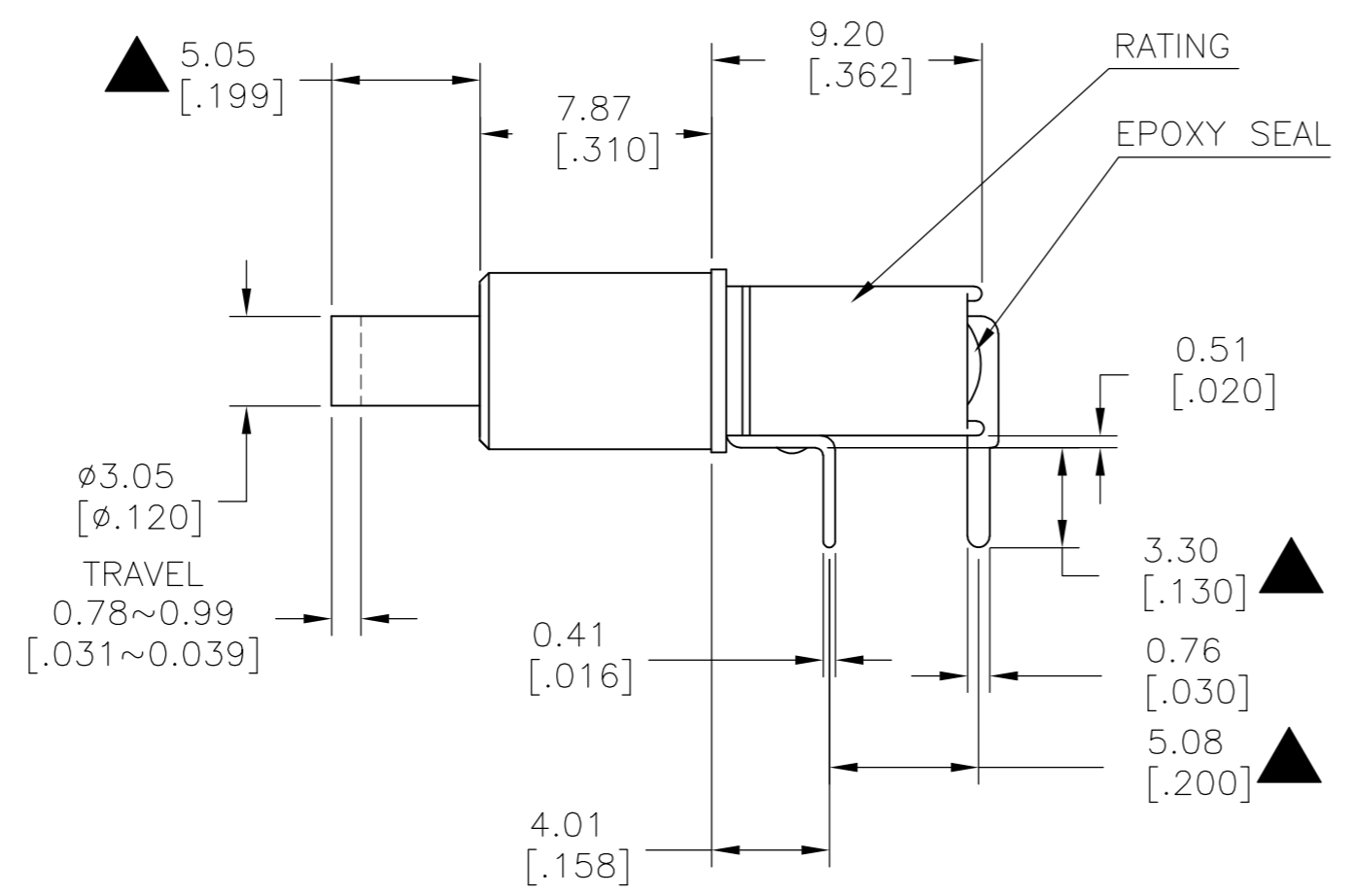
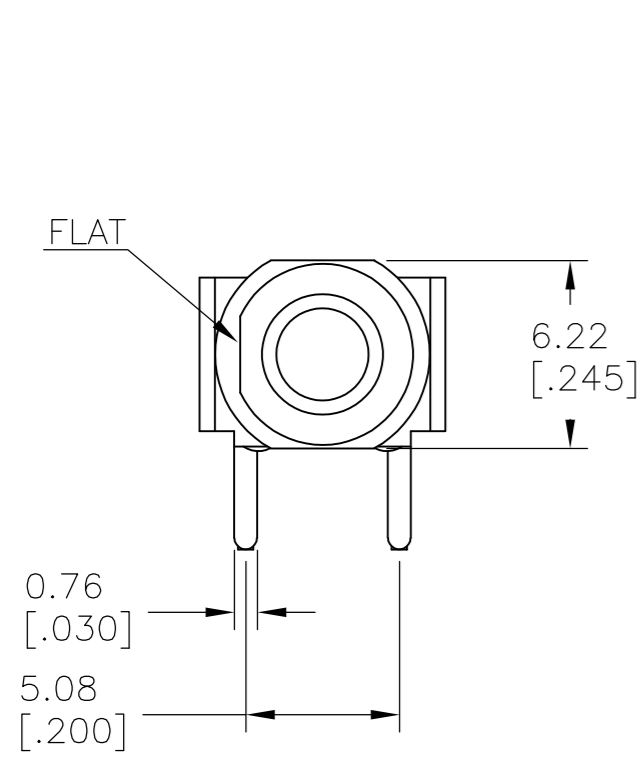
TE TE Connectivity

NAME: SUBMINIATURE PUSH BUTTON SWITCH

SIZE	CAGE CODE	DRAWING NO	RESTRICTED TO
A2	00779	C=2267075	-
SCALE	SHEET	REV	
3:1	1 of 2	A1	

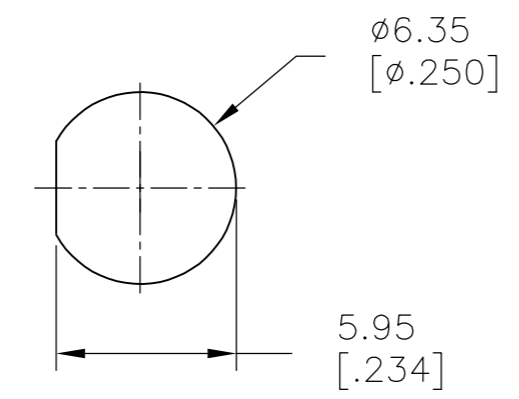
THIS DRAWING IS UNPUBLISHED. RELEASED FOR PUBLICATION
 © COPYRIGHT - By - ALL RIGHTS RESERVED.

LOC		DIST		REVISIONS			
P	LTR	DESCRIPTION	DATE	DWN	APVD		
-	-	SEE SHEET 1	-	-	-		

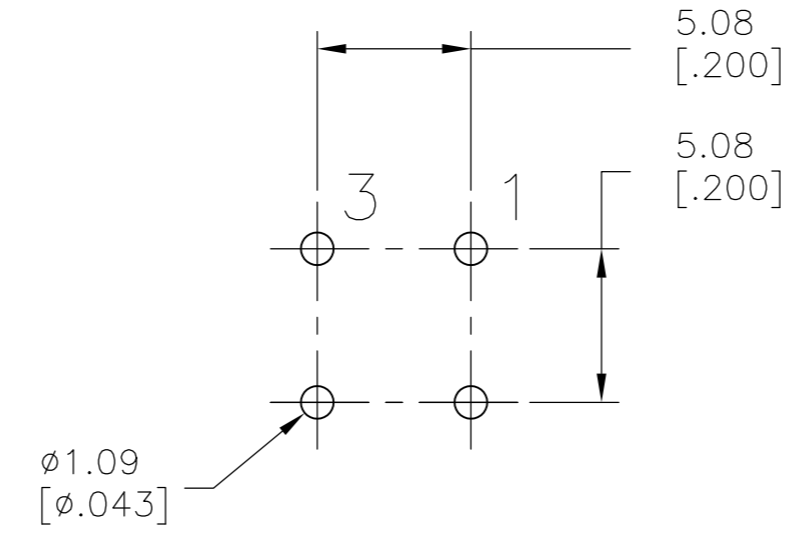


MODEL NO.	POS.1	POS.2
PMS9	OFF	MOM
TERM. COMM.	1-3	
SCHEMATIC	OPEN	

SWITCH FUNCTION



PANEL MOUNTING



P.C. MOUNTING

LAYOUT FOR PN 2267075-2

THIS DRAWING IS A CONTROLLED DOCUMENT.		DWN 10JUL2014 NAGALAKSHMI K		
DIMENSIONS: mm [INCHES]		CHK 10JUL2014 HILL, RYAN		
TOLERANCES UNLESS OTHERWISE SPECIFIED:		APVD 10JUL2014 HILL, RYAN	NAME SUBMINIATURE PUSH BUTTON SWITCH	
0 PLC ± -		PRODUCT SPEC	SIZE CAGE CODE DRAWING NO RESTRICTED TO	
1 PLC ± 0.38[015]		APPLICATION SPEC	A2 00779 C=2267075 -	
2 PLC ± 0.25[010]		WEIGHT	SCALE 3:1 SHEET 2 OF 2 REV A1	
3 PLC ± -		CUSTOMER DRAWING		
4 PLC ± -				
ANGLES ± 5°				
FINISH				

Mouser Electronics

Authorized Distributor

Click to View Pricing, Inventory, Delivery & Lifecycle Information:

[TE Connectivity:](#)

[PMS9P1B08M6RE](#)