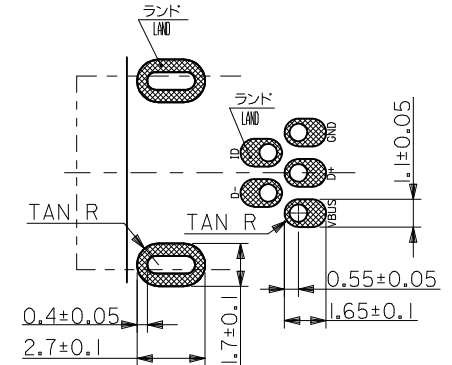
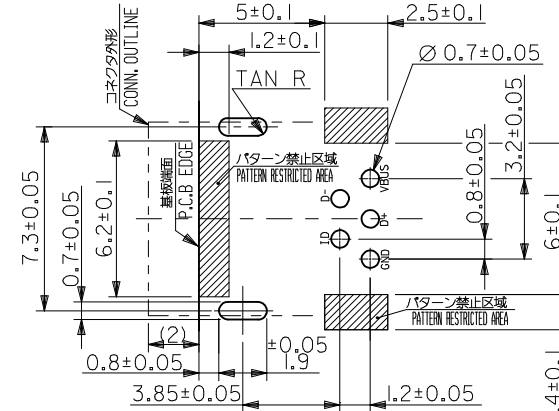
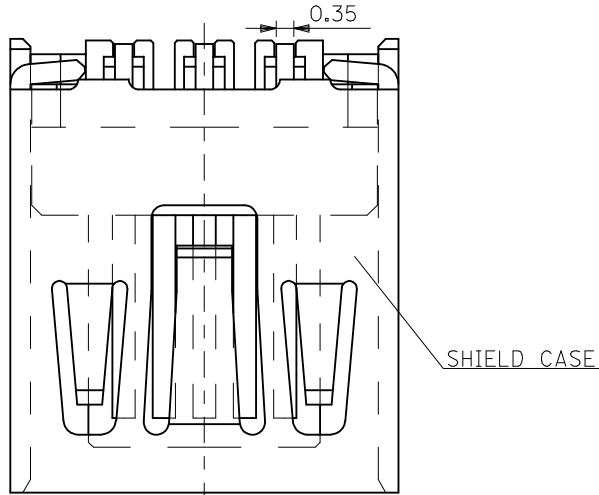
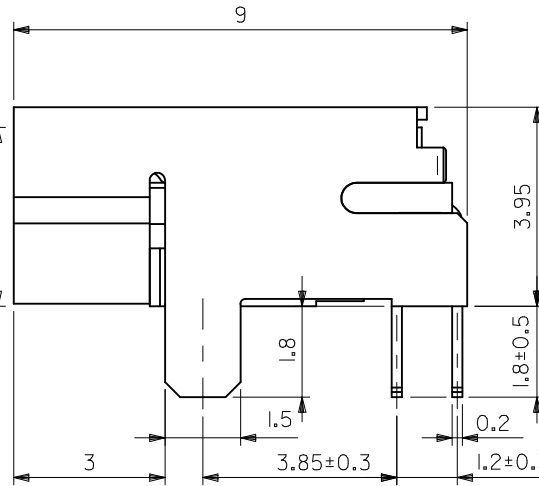
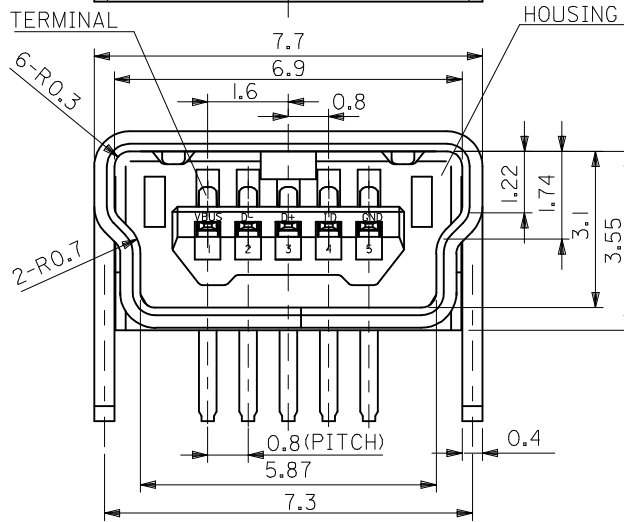


コネクタ実装側 (CONNECTOR MOUNT SIDE)

逆側 (REVERSE SIDE)



推奨基板寸法  
RECOMMENDED P.C.B. PATTERN LAYOUT



注記 1. 材質  
NOTES MATERIAL

ハウジング: ポリアミド, ガラス充填, 黒色, UL94V-0  
 HOUSING: PA, GLASS FILLED, BLACK, UL94V-0  
 ターミナル: 銅合金 (t=0.2)  
 TERMINAL: COPPER ALLOY (t=0.2)  
 シールド ケース: 銅合金 (t=0.4)  
 SHIELD CASE: COPPER ALLOY (t=0.4)

2. メッキ仕様  
PLATING

ターミナル  
TERMINAL  
 接点部: 金メッキ 0.75 MICRO METER MIN.  
 CONTACT AREA: GOLD 0.75 MICRO METER MIN.  
 半田付け部: 半田メッキ 3.8 MICRO METER MIN.  
 SOLDER TAIL AREA: TIN-LEAD 3.8 MICRO METER MIN.  
 下地部: ニッケルメッキ 1.25 MICRO METER MIN.  
 UNDER PLATING: NICKEL 1.25 MICRO METER MIN.  
 シールド ケース  
SHIELD CASE  
 : 半田メッキ 2.5 MICRO METER MIN.  
 : TIN-LEAD 2.5 MICRO METER MIN.  
 下地部: ニッケルメッキ 1 MICRO METER MIN.  
 UNDER PLATING: NICKEL 1 MICRO METER MIN.

54819-0511

MATERIAL No.

MODEL No. 54819-\*\*11

GENERAL TOLERANCES  
(UNLESS SPECIFIED)

10 UNDER ±0.2

10 OVER 30 UNDER ±0.25

30 OVER ±0.3

ANGULAR ±3 °

DRAFT WHERE APPLICABLE  
MUST REMAIN  
WITHIN DIMENSIONS

DIMENSION STYLE  
MM ONLY

DRAWN BY DATE

K. TAKAHASHI 2000/05/17

CHECKED BY DATE

M. SASAO 2000/05/17

APPROVED BY DATE

H. IKESUGI 2000/05/17

MATERIAL NO.

SEE TABLE

SCALE

10:1

DESIGN UNITS

METRIC

THIRD ANGLE PROJECTION

USB SERIES MINI-B  
RECEPTACLE ASS'Y

MOLEX INCORPORATED

DOCUMENT NO.

SD-54819-008

SHEET NO.

1 OF 2

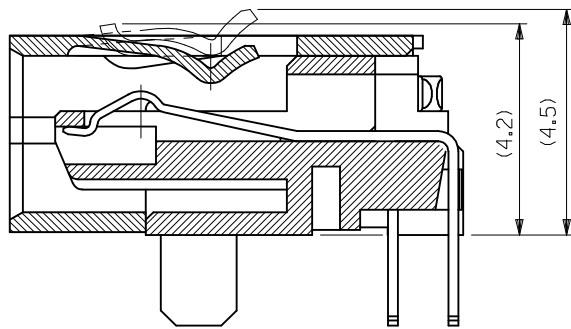
THIS DRAWING CONTAINS INFORMATION THAT IS PROPRIETARY TO MOLEX  
INCORPORATED AND SHOULD NOT BE USED WITHOUT WRITTEN PERMISSION

REVISED

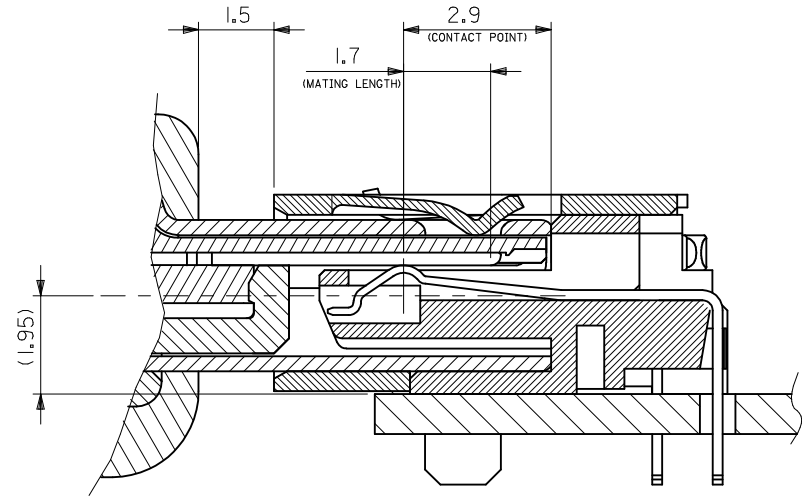
EC NO: J2009-1533	2009/06/25
DRW: NESATO	2009/06/25
CHKD: MATSUMOTO	2009/06/25
APPR: NUKITA	2009/06/25

DESCRIPTION

REV



SECTION



MATING

MODEL No.54819-\*\*11

REVISED EC NO: J2009-1533 DRW: NESATO 2009/06/25 CHK'D: MATSUMOTO 2009/06/25 APPR: NUKITA 2009/06/25	GENERAL TOLERANCES (UNLESS SPECIFIED)		DIMENSION STYLE MM ONLY	SCALE 10:1	DESIGN UNITS METRIC	THIRD ANGLE PROJECTION	
	10 UNDER	±0.2	DRAWN BY K. TAKAHASHI	DATE 2000/05/17	TITLE USB SERIES MINI-B RECEPTACLE ASS'Y		
	10 OVER 30 UNDER	±0.25	CHECKED BY M. SASAO	DATE 2000/05/17	MOLEX INCORPORATED		
	30 OVER	±0.3	APPROVED BY H. IKESUGI	DATE 2000/05/17	MATERIAL NO. SEE SHEET 1	DOCUMENT NO. SD-54819-008	SHEET NO. 2 OF 2
	ANGULAR ±3 °		THIS DRAWING CONTAINS INFORMATION THAT IS PROPRIETARY TO MOLEX INCORPORATED AND SHOULD NOT BE USED WITHOUT WRITTEN PERMISSION				
DRAFT WHERE APPLICABLE MUST REMAIN WITHIN DIMENSIONS							