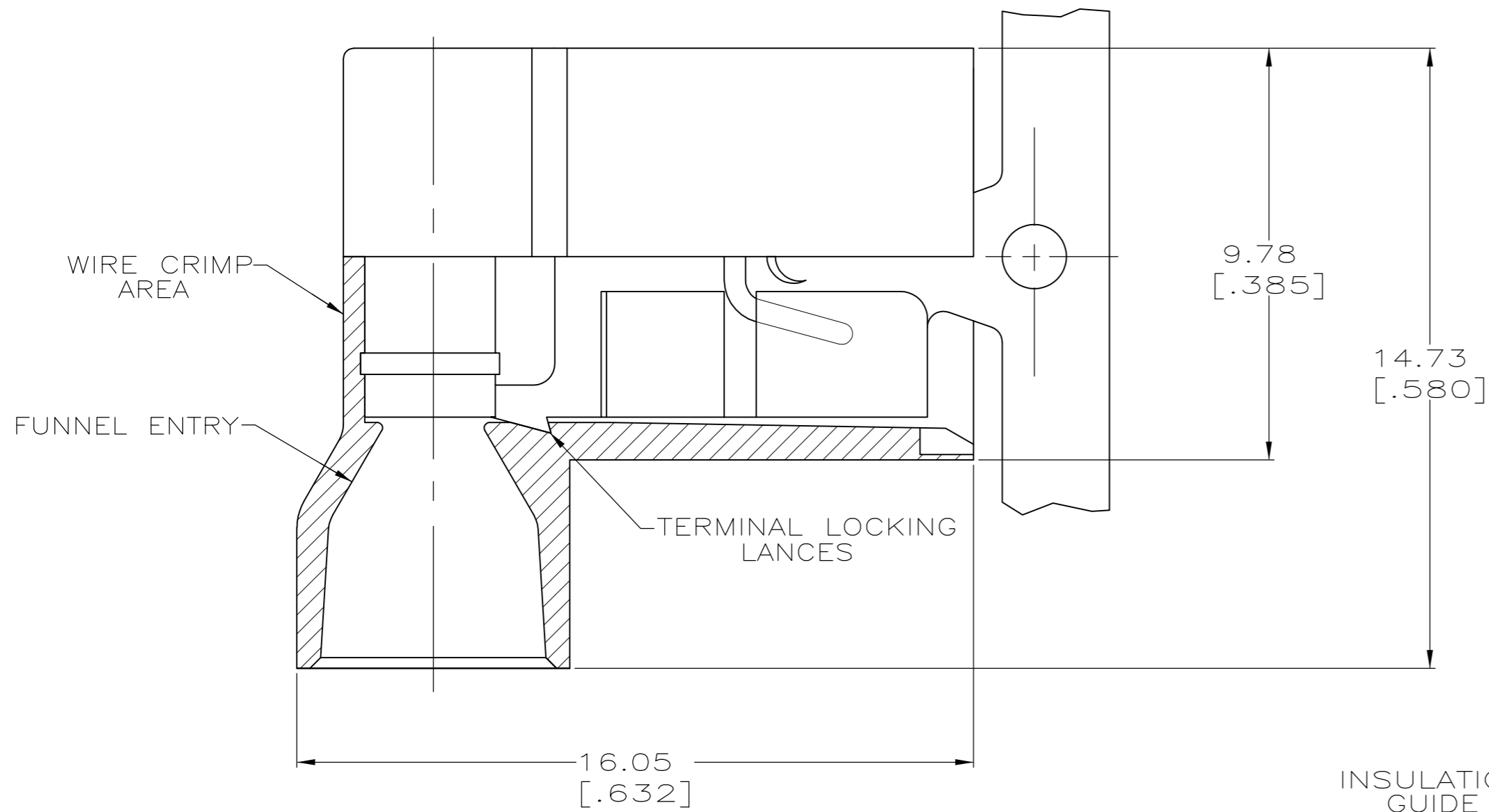
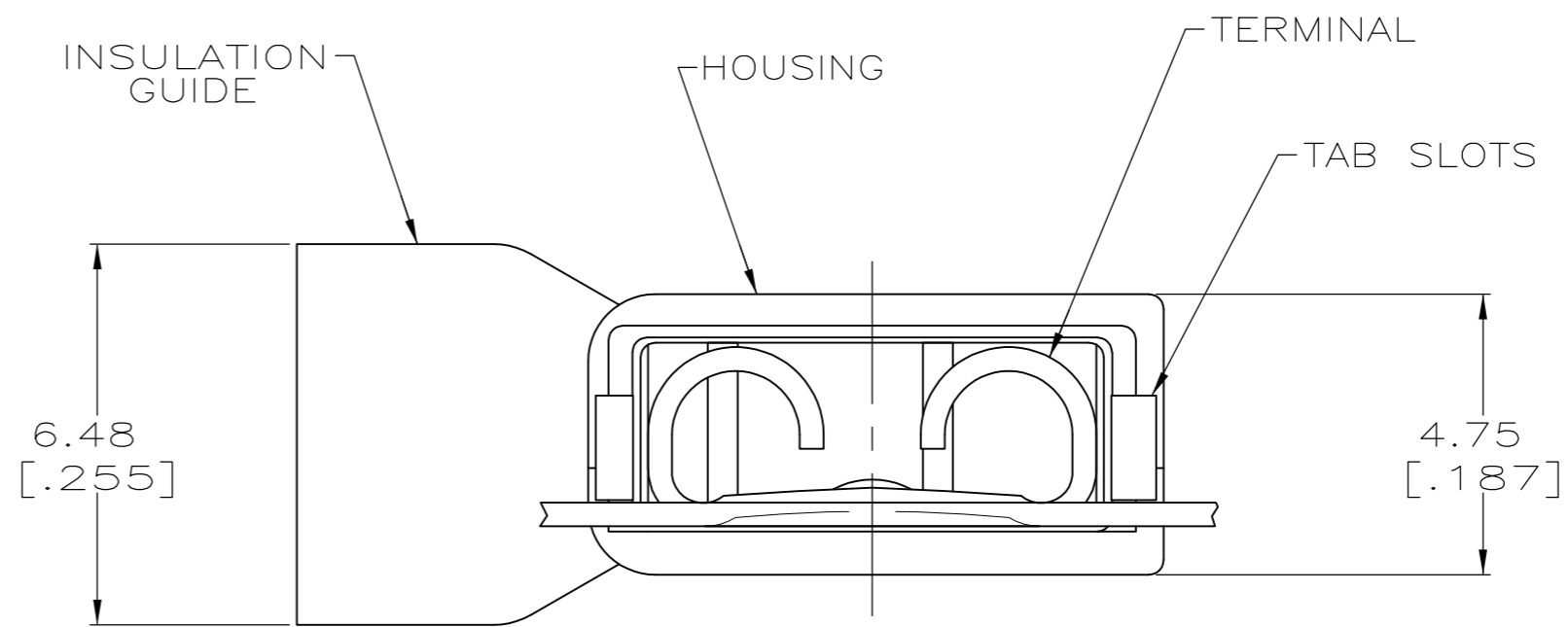
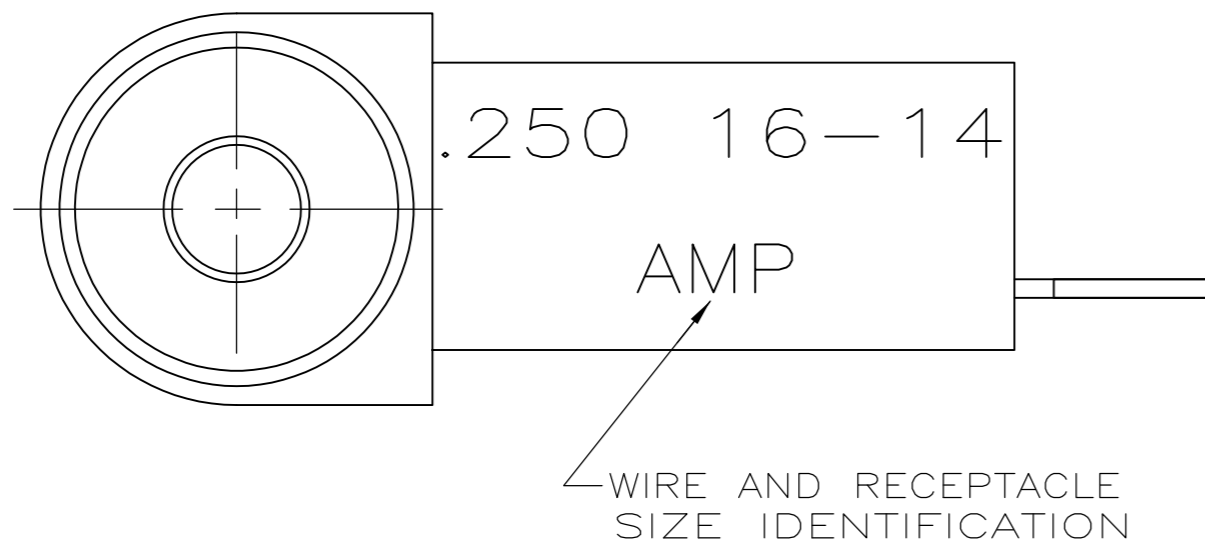


THIS DRAWING IS UNPUBLISHED. RELEASED FOR PUBLICATION  
 © COPYRIGHT - By - ALL RIGHTS RESERVED.

LOC	DIST	REVISIONS			
P	LTR	DESCRIPTION	DATE	DWN	APVD
AF	50	U	REVISED PER ECR-13-004343	30JUL13	KH KR



- 1 FITS 0.81±0.025 X 6.35 [.032±.001 X .250] TAB
- 2 WIRE SIZE: 1.3-2.0mm<sup>2</sup> [16-14 AWG], STRANDED ONLY. STRIP LENGTH 7.94 [.312]
- 3 INSULATION SIZE: 4.70 [.185] MAX DIA.
- 4 CONTINUOUS STRIP.



BULK	TYPE 6/6 NYLON	BLUE TRANSLUCENT	BRASS	TIN	5-520132-2
STANDARD		BLACK TRANSLUCENT			9-520132-2
		BLUE TRANSLUCENT			3-520132-2
PACKAGING	MATERIAL	COLOR	MATERIAL	FINISH	PART NO
THIS DRAWING IS A CONTROLLED DOCUMENT.		HOUSING		TERMINAL	
DWN P FORTNEY 11/10/89		APVD DJ BRATINA 11/10/89		NAME	
CHK JR RUTH 11/10/89		PRODUCT SPEC 108-2043		RECEPTACLE ASSEMBLY, ULTRA-FAST FLAG, 6.35 [.250] SERIES	
APVD DJ BRATINA 11/10/89		APPLICATION SPEC 114-2123		SIZE A2	
DIMENSIONS: mm [INCHES]		TOLERANCES UNLESS OTHERWISE SPECIFIED:		CAGE CODE 00779	
0 PLC ± -		1 PLC ± -		DRAWING NO C=520132	
1 PLC ± -		2 PLC ± -		RESTRICTED TO -	
2 PLC ± -		3 PLC ± 0.38 [.015]		SCALE 8:1	
3 PLC ± -		4 PLC ± -		SHEET 1 of 1	
4 PLC ± -		ANGLES ± -		REV U	
FINISH		WEIGHT -		CUSTOMER DRAWING	
SEE TABLE		SEE TABLE			

# Mouser Electronics

Authorized Distributor

Click to View Pricing, Inventory, Delivery & Lifecycle Information:

[TE Connectivity:](#)

[9-520132-2](#) [9-520132-2 \(Loose Piece\)](#)