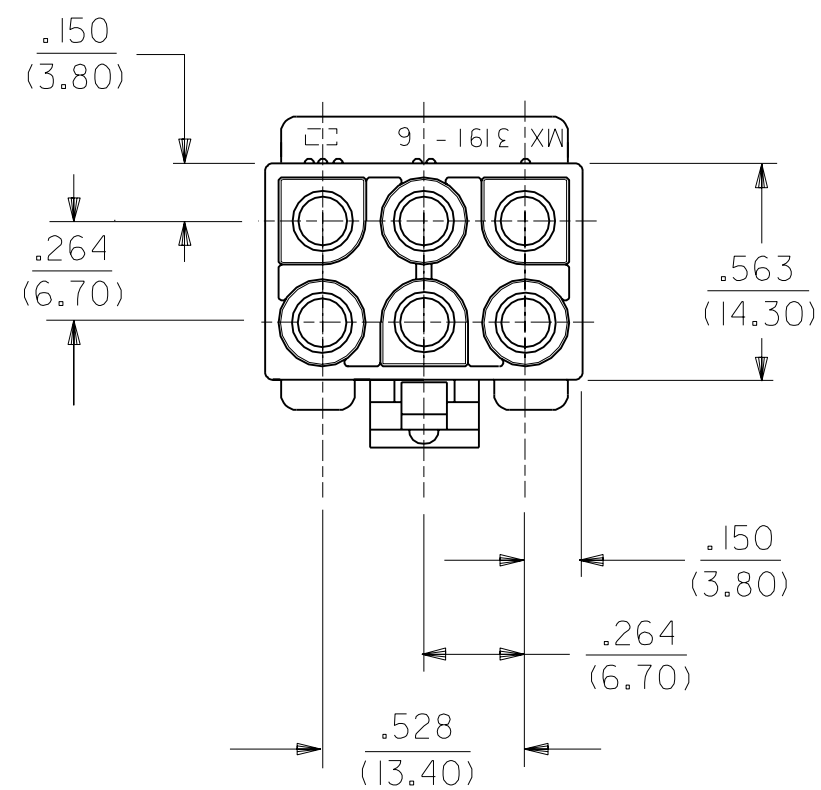
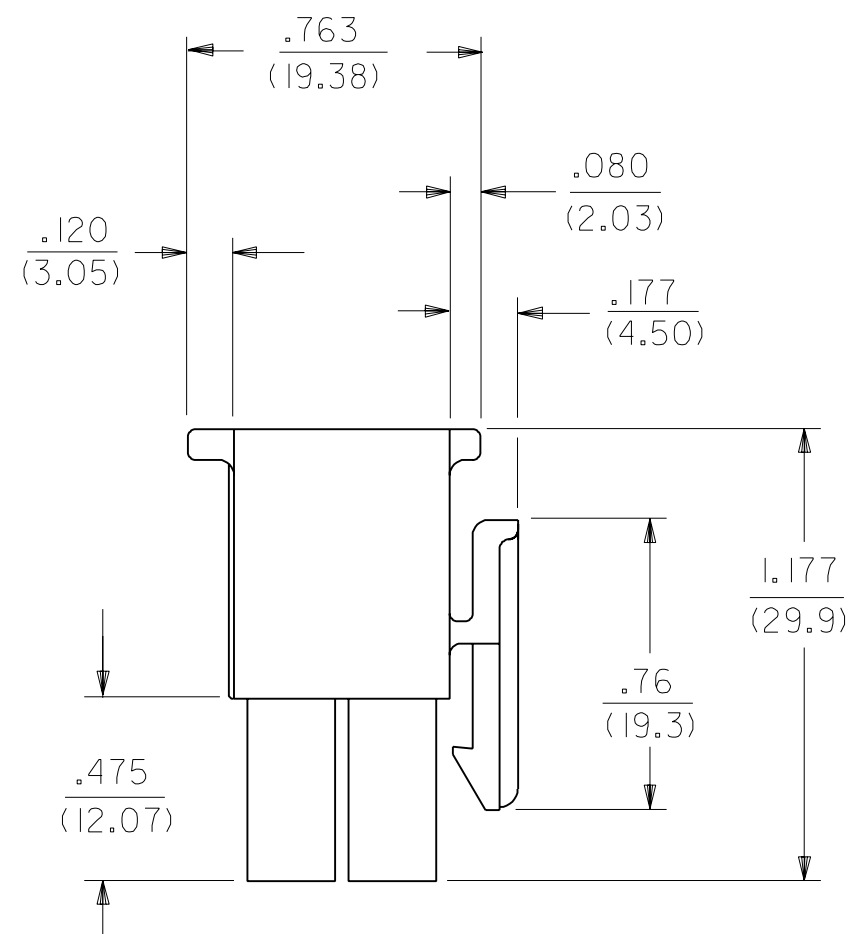
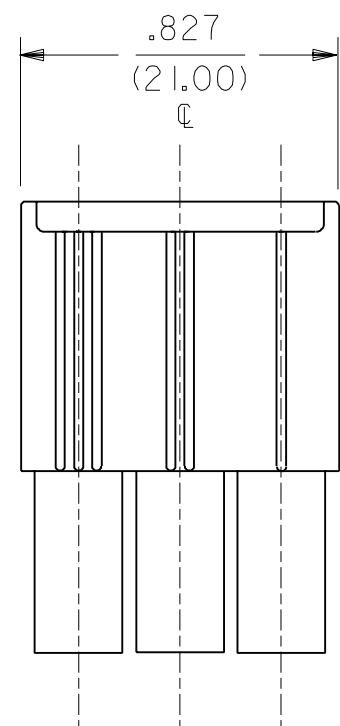
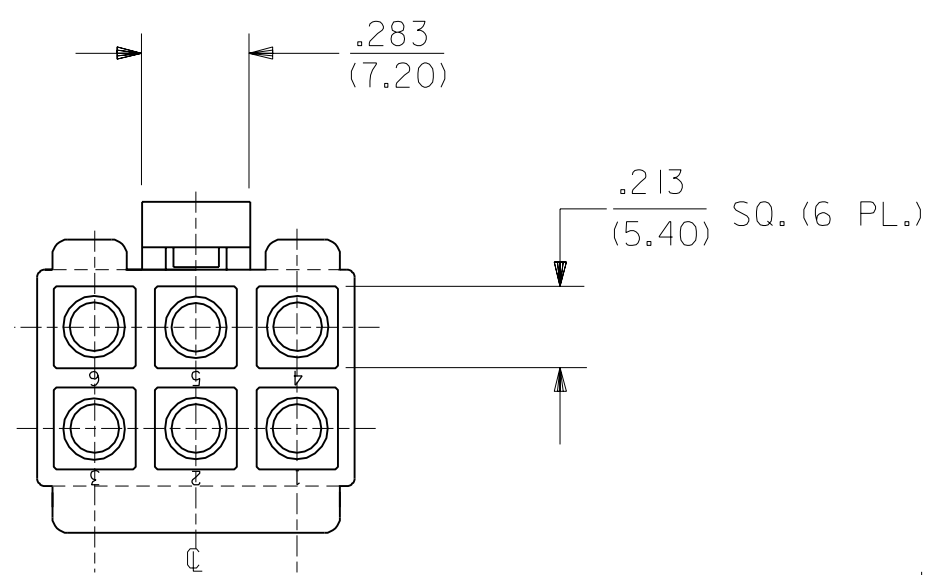


13 12 11 10 9 8 7 6 3191 4 3 2 1

J
I
H
G
F
E
D
C
B
A



RECEPTACLE

DIMENSIONS SHOWN (METRIC) INCH
UNLESS OTHERWISE SPECIFIED
TOLERANCES: ANGULAR $\pm \frac{1}{10}^\circ$

	INCH	METRIC
3 PLACE	$\pm .010$	---
2 PLACE	$\pm .014$	± 0.25
1 PLACE	---	± 0.36

DRAFT WHERE APPLICABLE MUST
REMAIN WITHIN DIMENSIONS

TITLE .093/(2.36) HOUSING PLUG AND RECEPTACLE 6 CIRCUIT, .264/(6.70)CTRS		REVISE ONLY ON CAD SYSTEM	
MOLEX LITLLE, ILL. 60532 U.S.A.	SHEET NO. 2	DATE 1/22/88	
PART NO. SEE SHEET 3		DRWG. NO. SD-3191-6*	

DRWG. BY JJS	CHK'D. BY RW	LTR.	REVISIONS	LTR.	REVISIONS
APP'D. BY RAS	SCALE 2:1				

13 12 11 10 9 8 7 6 5 4 3 2 1

3191

A

PLUG		RECEPTACLE	
PART NO.	ENG. NO.	PART NO.	ENG. NO.
19-09-2068	3191-6P	19-09-1069	3191-6R1
19-09-2069	3191-6P1	19-09-1066	3191-6R1-201
19-09-2067	3191-6P-201	19-09-6060	3191-6RIRD
19-09-2066	3191-6P1-201	19-09-6069	3191-6RIBK
19-09-7069	3191-6PRD		
19-09-7068	3191-6PBK		

LEGEND:

3191-6****-*

CIRCUIT SIZE ———

P = PLUG

R = RECEPTACLE

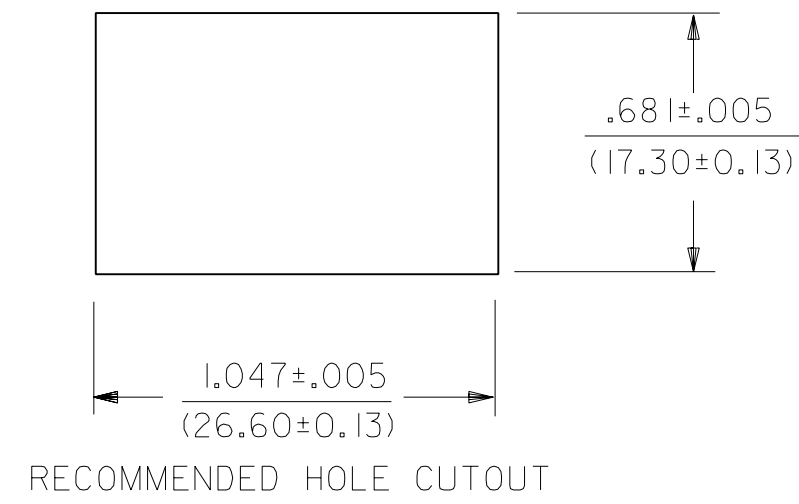
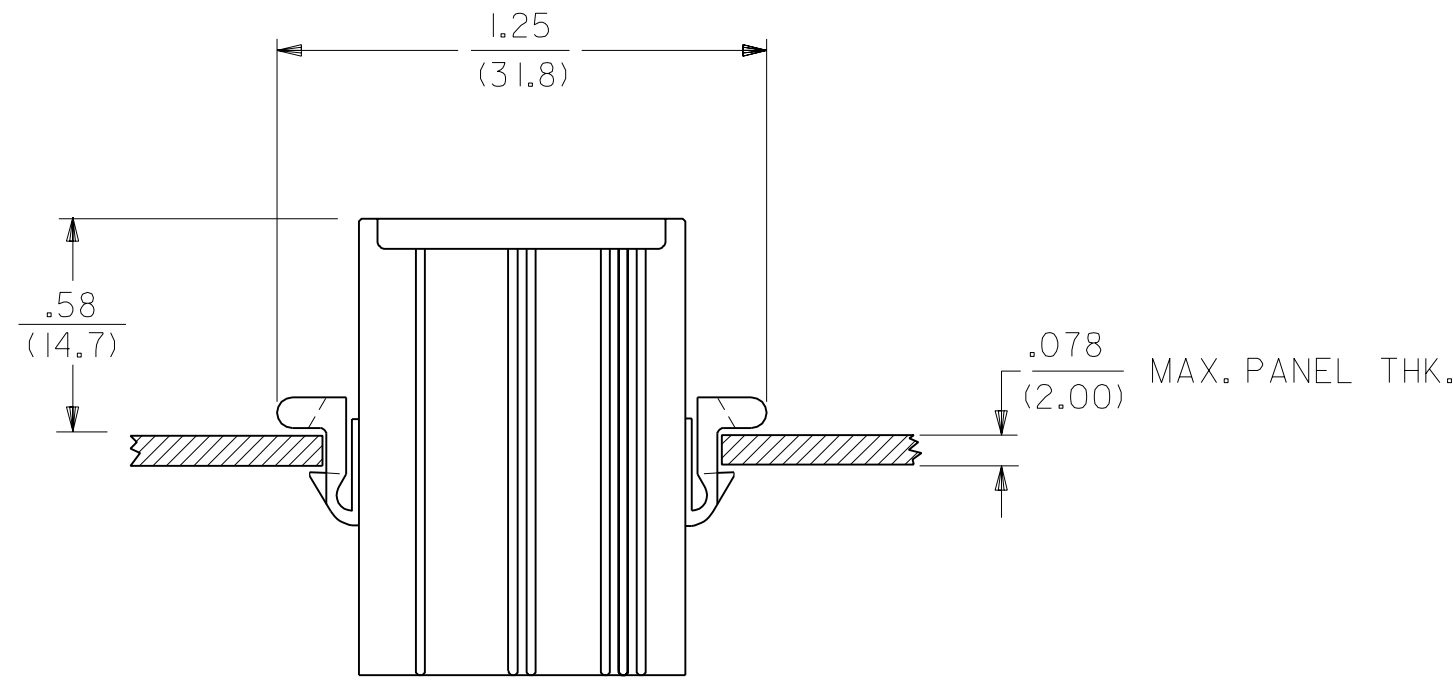
EARS: BLANK = WITH PREBENT EARS
(PLUG ONLY)

I = WITHOUT EARS

COLOR: BLANK = NATURAL COLOR

AM=AMBER BK=BLACK BU=BLUE
 BN=BROWN GY=GRAY GN=GREEN
 OR=ORANGE RD=RED YW=YELLOW
 COLORS AVAILABLE ONLY IN 94V-2 MATERIAL

MATERIAL: BLANK=NYLON TYPE 6/6, 94V-2
 201=NYLON TYPE 6/6, 94V-0



MOUNTING HOLE DETAIL

DIMENSIONS SHOWN (METRIC) INCH				UNLESS OTHERWISE SPECIFIED TOLERANCES: ANGULAR ± 10°		REVISIONS		REVISIONS	
3 PLACE ± .010 ---				INCH METRIC		M SEE SHEET I			
2 PLACE ± .014 ± 0.25						L SEE SHT. I			
1 PLACE --- ± 0.36						K SEE SHT. I			
DRAFT WHERE APPLICABLE MUST REMAIN WITHIN DIMENSIONS						J SEE SHT. I			
DRWG. BY JJS		CHK'D. BY RW		LTR.		REVISIONS		LTR.	
APP'D. BY RAS		SCALE ---:---							

TITLE		SHEET NO.		DATE	
.093/(2.36) HOUSINGS PLUG AND RECEPTACLE 6 CKT., .264/(6.70) CTRS.		3		1/22/88	
MOLEX INCORPORATED LITLLE, ILL. 60532 U.S.A.		PART NO.		DRWG. NO.	
SEE CHART		SD-3191-6*			
THIS DRAWING CONTAINS INFORMATION THAT IS PROPRIETARY TO MOLEX INC. AND SHOULD NOT BE USED WITHOUT WRITTEN PERMISSION.					
				DIV. CP	
				SIZE C	

3191