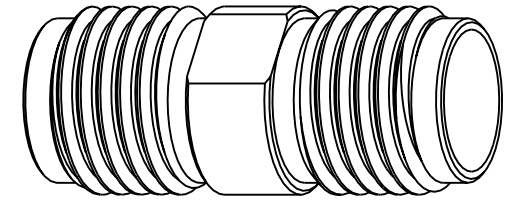


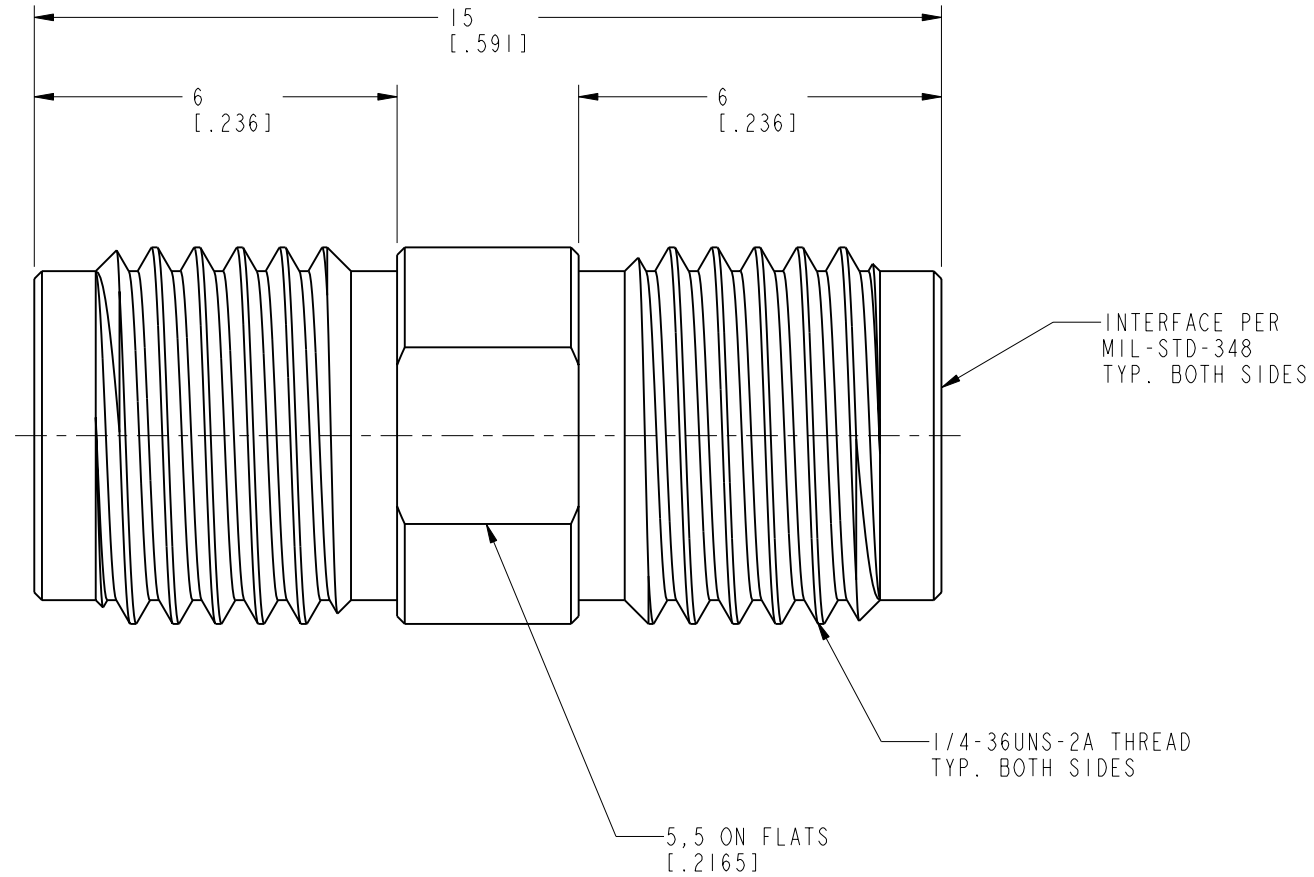
NOTES:

1. MATERIALS OF CONSTRUCTION:  
 BODY = BRASS, NICKEL PLATED (.000100 MIN THICK)  
 CONTACT PIN = BeCu, GOLD PLATED (.000050 MIN THICK)  
 INSULATOR = TEFLON, MIL-P-19468
2. ELECTRICAL:  
 A. IMPEDANCE: 50 OHM  
 B. FREQUENCY RANGE: DC - 12.4 GHz  
 C. VSWR(RETURN LOSS): 1.3 MAX.
3. PHYSICAL:  
 A. DURABILITY: 500 CYCLES MIN.  
 B. TEMPERATURE RANGE: -65° C TO +165° C

901-9985-RFX		REVISIONS			
DRAWING NO.	REV	DESCRIPTION	DATE	ECO	APPR
THIRD ANGLE PROJ.	A	RELEASE TO MFG.	10/9/02	43927	CPM



SCALE 4.000



CUSTOMER OUTLINE DRAWING  
 ALL OTHER SHEETS ARE FOR INTERNAL USE ONLY

UNLESS OTHERWISE SPECIFIED, DIMENSIONS ARE IN INCHES AND TOLERANCES ARE: 0.5 - 6mm ±0.2mm      6 - 30mm ±0.4mm      30 - 120mm ±0.6mm	MATERIAL	DRAWN C. McGRATH	DATE 19-Dec-01	TITLE <b>SMA JACK TO JACK ADAPTER</b>	<b>Amphenol</b> Amphenol Corporation Communication and Network Products Division Danbury, CT U.S.A. 06810		
	REFERENCE GEN# 901-9985-RFX_BODY	ENGINEER O. BARTHLEMES	DATE 19-Dec-01				
NOTICE - These drawings, specifications, or other data (1) are, and remain the property of Amphenol Corp. (2) must be returned upon request; and (3) are confidential and not to be disclosed to any person other than those to whom they are given by Amphenol Corp. The furnishing of these drawings, specifications, or other data by Amphenol Corp., or to any other person to anyone for any purpose is not to be regarded by implication or otherwise in any manner licensing, granting rights or permitting such holder or any other person to manufacture, use or sell any product, process or design, patented or otherwise, that may in any way be related to or disclosed by said drawings, specifications, or other data.	APPROVED O. BARTHLEMES	DATE 10/9/02	CAD FILE I:\SMA\901-9985-RFX	CODE ID 74868	DWG SIZE B	DRAWING NO. 901-9985-RFX	REV A
			SCALE: 8.0:1	SHEET 2 OF 2			

# Mouser Electronics

Authorized Distributor

Click to View Pricing, Inventory, Delivery & Lifecycle Information:

[Amphenol:](#)

[901-9985-RFX](#)