

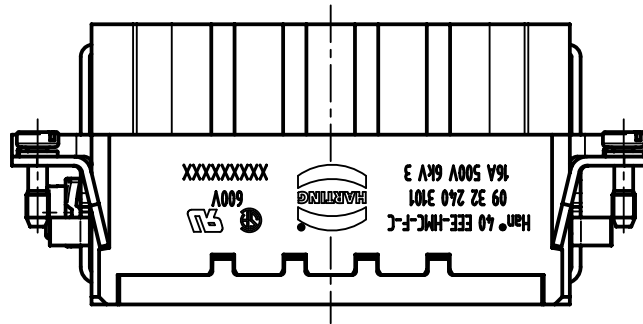
1 2 3 4 5 6

A

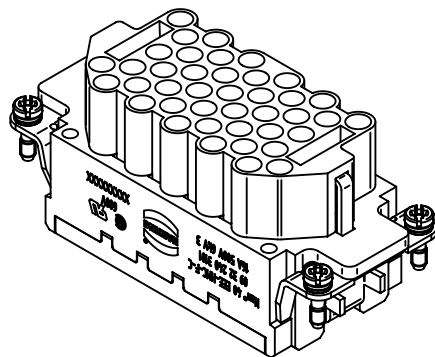
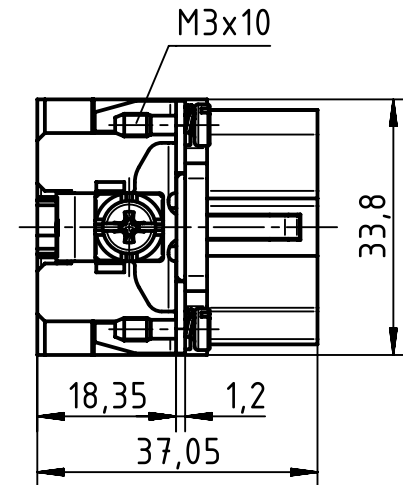
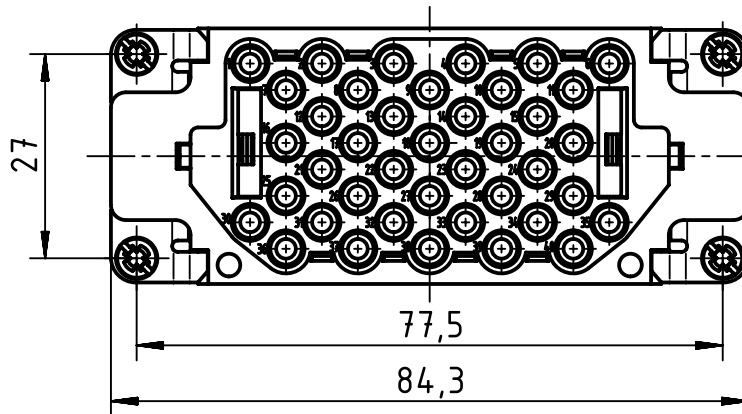
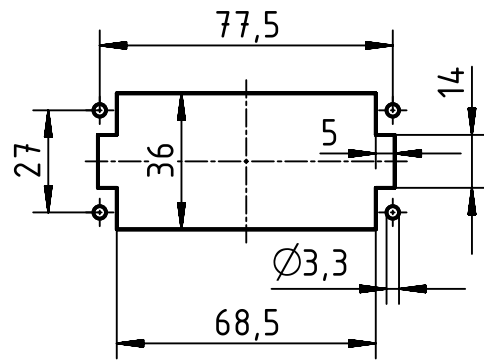
B

C

D



panel cut out (1:2)



	All Dimensions in mm Original Size DIN A4	Scale 1:1		Free size tol.		Ref.	
						Sub.	
	All rights reserved Department EL PD - DE	Created by HOLLERT	Inspected by SCHMIDTM	Standardisation TIEMANNA	Date 2016-04-20	State Final Release	
		Title Han 40EEE HMC-F-Crimp					Doc-Key / ECM-Nr. 100535687/UGD/001/B 500000103373
HARTING Electric GmbH & Co. KG D-32339 Espelkamp		Type TB	Number 09 32 240 3101			Rev. B	Page 1/1

# Mouser Electronics

Authorized Distributor

Click to View Pricing, Inventory, Delivery & Lifecycle Information:

[HARTING:](#)

[09322403101](#)