

THIS DRAWING IS UNPUBLISHED.

RELEASED FOR PUBLICATION

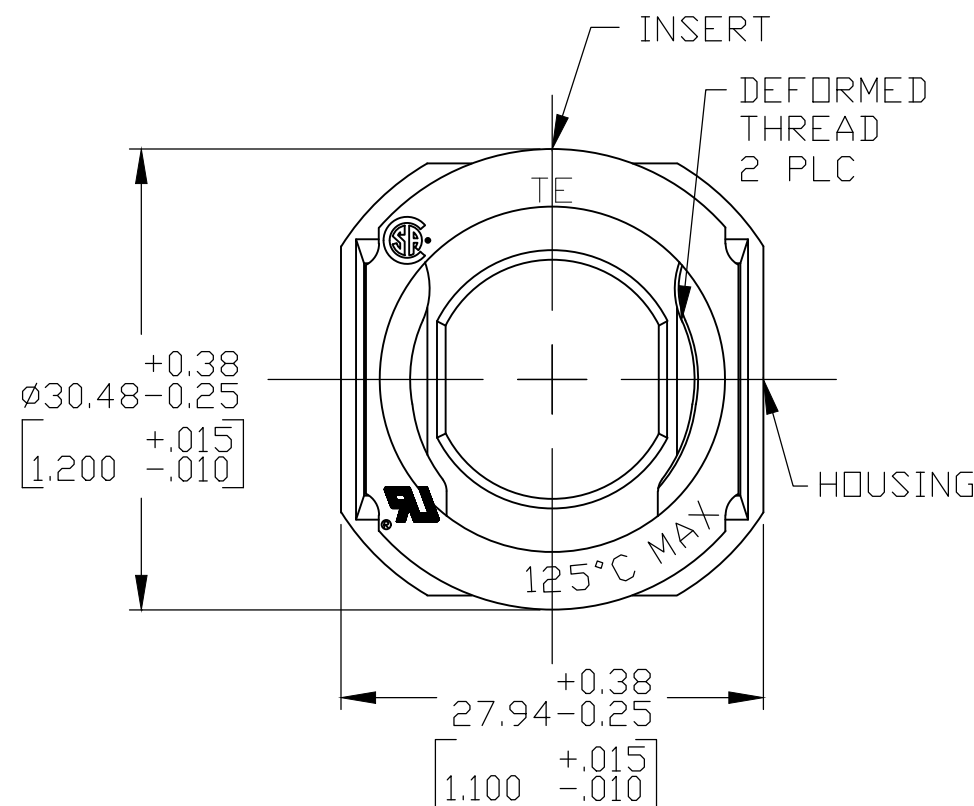
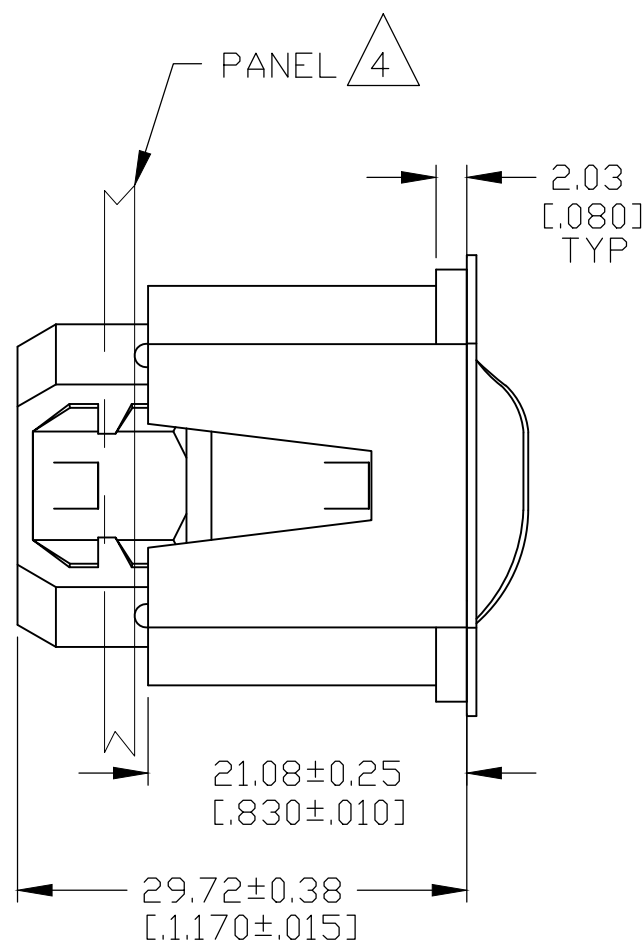
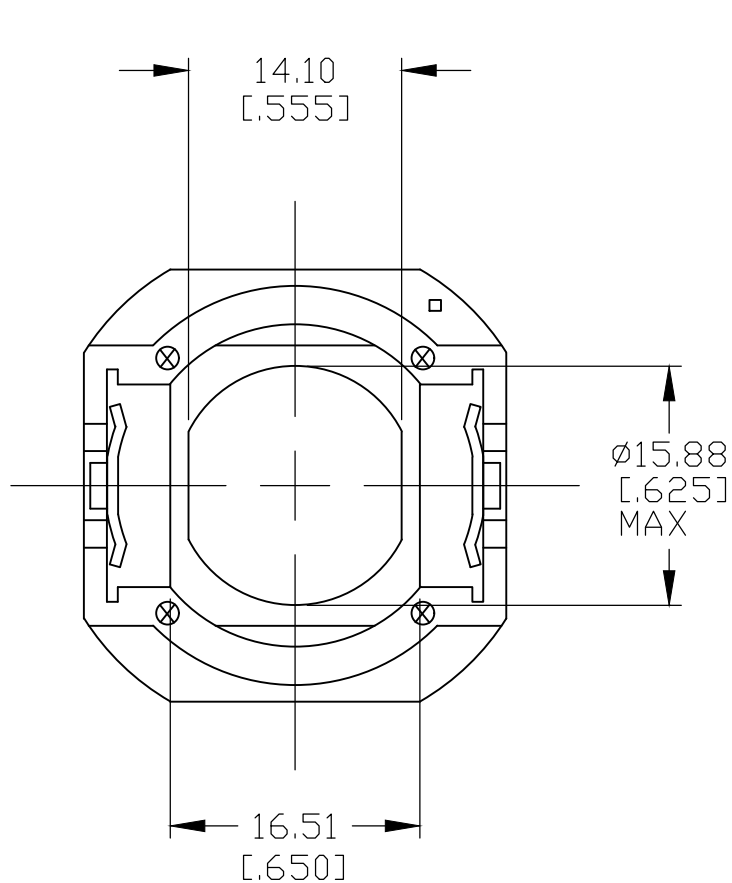
ALL RIGHTS RESERVED.

© COPYRIGHT - By -

REVISIONS

P	LTR	DESCRIPTION	DATE	DWN	APVD
	K	REVISED PER ECR-18-006462	09MAY2018	SR	DD

- 1 HOUSING: NYLON, BLACK.
INSERT: CARBON STEEL, 0.64[.025] THICK.
- 2 INSERT: ZINC PER ASTM B633.
- 3 FITS STANDARD 12.70[.500] KNOCKOUT $\phi 22.22^{+0.79}_{-.38}$
[.875 $^{+0.31}_{+.15}$].
- 4 PANEL RETENTION MECHANISM ACCOMMODATES PANEL THICKNESSES FROM 0.81[.032] TO 2.31[.091].



207373-1
PART NUMBER

THIS DRAWING IS A CONTROLLED DOCUMENT.		DWN L.HALL 27APR00	TE Connectivity		
DIMENSIONS: mm [Inches]		CHK L.H.SMITH 23JUN00			
TOLERANCES UNLESS OTHERWISE SPECIFIED:		APVD F. LINCOLN 23JUN00	NAME CONNECTOR ASSEMBLY, .500 IN. FLEXIBLE CONDUIT		
0 PLC ± 1 PLC ± 2 PLC ± 0.13 [.005] 3 PLC ± 4 PLC ± ANGLES ±		PRODUCT SPEC	RESTRICTED TO		
MATERIAL 1		APPLICATION SPEC	SIZE A3	CAGE CODE 00779	DRAWING NO C-207373
FINISH 2		WEIGHT	SCALE 2:1		
		CUSTOMER DRAWING	SHEET 1 OF 1		
			REV K		

Mouser Electronics

Authorized Distributor

Click to View Pricing, Inventory, Delivery & Lifecycle Information:

[TE Connectivity:](#)

[207373-1](#)