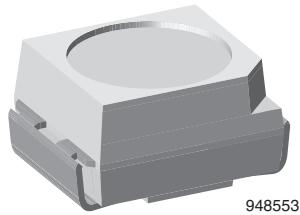


## Standard SMD LED PLCC-2



### DESCRIPTION

This device has been designed for applications requiring narrow brightness and color selection.

The package of this device is the PLCC-2.

It consists of a lead frame which is embedded in a white thermoplast. The reflector inside this package is filled up with clear epoxy.

### PRODUCT GROUP AND PACKAGE DATA

- Product group: LED
- Package: SMD PLCC-2
- Product series: standard
- Angle of half intensity:  $\pm 60^\circ$

### FEATURES

- SMD LED with exceptional brightness
- Luminous intensity categorized
- Compatible with automatic placement equipment
- EIA and ICE standard package
- Compatible with IR reflow, vapor phase and wave solder processes according to CECC 00802 and J-STD-020
- Available in 8 mm tape
- Low profile package
- Non-diffused lens: excellent for coupling to light pipes and backlighting
- Low power consumption
- Luminous intensity ratio in one packaging unit  $I_{Vmax}/I_{Vmin} \leq 1.6$
- Preconditioning according to JEDEC® level 2a
- ESD withstand voltage: up to 2 kV according to JESD22-A114-B
- AEC-Q101 qualified
- Material categorization: for definitions of compliance please see [www.vishay.com/doc?99912](http://www.vishay.com/doc?99912)

 AUTOMOTIVE  
GRADE

**RoHS**  
COMPLIANT  
HALOGEN  
**FREE**  
**GREEN**  
(5-2008)

### APPLICATIONS

- Automotive: backlighting in dashboards and switches
- Telecommunication: indicator and backlighting in telephone and fax
- Indicator and backlight for audio and video equipment
- Indicator and backlight in office equipment
- Flat backlight for LCDs, switches, and symbols
- General use

### PARTS TABLE

| PART            | COLOR  | LUMINOUS INTENSITY (mcd) |      |      | at I <sub>F</sub> (mA) | WAVELENGTH (nm) |      |      | at I <sub>F</sub> (mA) | FORWARD VOLTAGE (V) |      |      | at I <sub>F</sub> (mA) | TECHNOLOGY   |
|-----------------|--------|--------------------------|------|------|------------------------|-----------------|------|------|------------------------|---------------------|------|------|------------------------|--------------|
|                 |        | MIN.                     | TYP. | MAX. |                        | MIN.            | TYP. | MAX. |                        | MIN.                | TYP. | MAX. |                        |              |
| VLMY31J1K2-GS08 | Yellow | 4.5                      | 7.6  | 11.2 | 10                     | 581             | 588  | 594  | 10                     | -                   | 2.1  | 2.8  | 20                     | GaAsP on GaP |
| VLMY31J1K2-GS18 | Yellow | 4.5                      | 7.6  | 11.2 | 10                     | 581             | 588  | 594  | 10                     | -                   | 2.1  | 2.8  | 20                     | GaAsP on GaP |
| VLMY31J1L2-GS08 | Yellow | 4.5                      | 7.6  | 18   | 10                     | 581             | 588  | 594  | 10                     | -                   | 2.1  | 2.8  | 20                     | GaAsP on GaP |
| VLMY31J1L2-GS18 | Yellow | 4.5                      | 7.6  | 18   | 10                     | 581             | 588  | 594  | 10                     | -                   | 2.1  | 2.8  | 20                     | GaAsP on GaP |
| VLMY31J2K2-GS08 | Yellow | 5.6                      | 7.8  | 11.2 | 10                     | 581             | 588  | 594  | 10                     | -                   | 2.1  | 2.8  | 20                     | GaAsP on GaP |
| VLMY31J2K2-GS18 | Yellow | 5.6                      | 7.8  | 11.2 | 10                     | 581             | 588  | 594  | 10                     | -                   | 2.1  | 2.8  | 20                     | GaAsP on GaP |
| VLMY31K1L2-GS08 | Yellow | 7.1                      | 8.6  | 18   | 10                     | 581             | 588  | 594  | 10                     | -                   | 2.1  | 2.8  | 20                     | GaAsP on GaP |
| VLMY31K1L2-GS18 | Yellow | 7.1                      | 8.6  | 18   | 10                     | 581             | 588  | 594  | 10                     | -                   | 2.1  | 2.8  | 20                     | GaAsP on GaP |

**ABSOLUTE MAXIMUM RATINGS** ( $T_{amb} = 25\text{ }^{\circ}\text{C}$ , unless otherwise specified)  
**VLMY31..**

| PARAMETER                             | TEST CONDITION                                       | SYMBOL     | VALUE       | UNIT               |
|---------------------------------------|--|------------|-------------|--------------------|
| Reverse voltage <sup>(1)</sup>        |  | $V_R$      | 6           | V                  |
| DC forward current                    | $T_{amb} \leq 60\text{ }^{\circ}\text{C}$            | $I_F$      | 30          | mA                 |
| Surge forward current                 | $t_p \leq 10\text{ }\mu\text{s}$                     | $I_{FSM}$  | 0.5         | A                  |
| Power dissipation                     |  | $P_V$      | 100         | mW                 |
| Junction temperature                  |  | $T_j$      | 100         | $^{\circ}\text{C}$ |
| Operating temperature range           |  | $T_{amb}$  | -40 to +100 | $^{\circ}\text{C}$ |
| Storage temperature range             |  | $T_{stg}$  | -40 to +100 | $^{\circ}\text{C}$ |
| Soldering temperature                 | $t \leq 5\text{ s}$                                  | $T_{sd}$   | 260         | $^{\circ}\text{C}$ |
| Thermal resistance junction / ambient | Mounted on PC board (pad size > 16 mm <sup>2</sup> ) | $R_{thJA}$ | 400         | K/W                |

**Note**

(1) Driving the LED in reverse direction is suitable for short term application

**OPTICAL AND ELECTRICAL CHARACTERISTICS** ( $T_{amb} = 25\text{ }^{\circ}\text{C}$ , unless otherwise specified)  
**VLMY31.., YELLOW**

| PARAMETER               | TEST CONDITION                          | PART       | SYMBOL      | MIN. | TYP.     | MAX. | UNIT |
|-------------------------|---|------------|-------------|------|----------|------|------|
| Luminous intensity      | $I_F = 10\text{ mA}$                    | VLMY31J1K2 | $I_V$       | 4.5  | 7.6      | 11.2 | mcd  |
|                         |   | VLMY31J1L2 | $I_V$       | 4.5  | 7.6      | 18   | mcd  |
|                         |   | VLMY31J2K2 | $I_V$       | 5.6  | 7.8      | 11.2 | mcd  |
|                         |   | VLMY31K1L2 | $I_V$       | 7.1  | 8.6      | 18   | mcd  |
| Dominant wavelength     | $I_F = 10\text{ mA}$                    |            | $\lambda_d$ | 581  | 588      | 594  | nm   |
| Peak wavelength         | $I_F = 10\text{ mA}$                    |            | $\lambda_p$ | -    | 590      | -    | nm   |
| Angle of half intensity | $I_F = 10\text{ mA}$                    |            | $\phi$      | -    | $\pm 60$ | -    | deg  |
| Forward voltage         | $I_F = 20\text{ mA}$                    |            | $V_F$       | -    | 2.1      | 2.8  | V    |
| Reverse voltage         | $I_R = 10\text{ }\mu\text{A}$           |            | $V_R$       | 6    | 15       | -    | V    |
| Junction capacitance    | $V_R = 0\text{ V}$ , $f = 1\text{ MHz}$ |            | $C_j$       | -    | 15       | -    | pF   |

**LUMINOUS INTENSITY CLASSIFICATION**

| GROUP | LUMINOUS INTENSITY (mcd) |       |
|-------|--------------------------|-------|
|       | MIN.                     | MAX.  |
| J1    | 4.5                      | 5.6   |
| J2    | 5.6                      | 7.1   |
| K1    | 7.10                     | 9.00  |
| K2    | 9.00                     | 11.20 |
| L1    | 11.20                    | 14.00 |
| L2    | 14.00                    | 18.00 |

**Note**

- Luminous intensity is tested at a current pulse duration of 25 ms and an accuracy of  $\pm 11\%$ .  
The above type numbers represent the order groups which include only a few brightness groups. Only one group will be shipped on each reel (there will be no mixing of two groups on each reel). In order to ensure availability, single brightness groups will not be orderable.  
In a similar manner for colors where wavelength groups are measured and binned, single wavelength groups will be shipped on any one reel.  
In order to ensure availability, single wavelength groups will not be orderable.

**COLOR CLASSIFICATION**

| GROUP | DOMINANT WAVELENGTH (nm) |      |
|-------|--------------------------|------|
|       | YELLOW                   |      |
|       | MIN.                     | MAX. |
| 1     | 581                      | 584  |
| 2     | 583                      | 586  |
| 3     | 585                      | 588  |
| 4     | 587                      | 590  |
| 5     | 589                      | 592  |
| 6     | 591                      | 594  |

**Note**

- Wavelengths are tested at a current pulse duration of 25 ms.

**CROSSING TABLE**

| VISHAY     | OSRAM       |
|------------|-------------|
| VLMY31J1K2 | LYT670-J1K2 |
| VLMY31J1L2 | LYT670-J1L2 |
| VLMY31J2K2 | LYT670-J2K2 |
| VLMY31K1L2 | LYT670-K1L2 |

**TYPICAL CHARACTERISTICS** ( $T_{amb} = 25\text{ }^{\circ}\text{C}$ , unless otherwise specified)

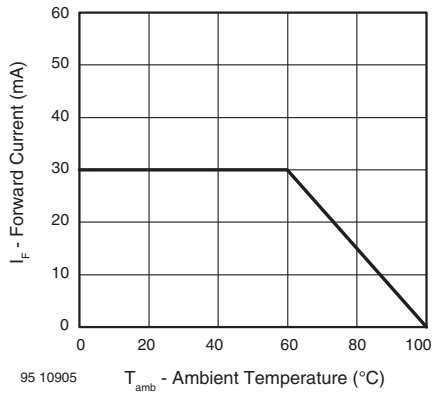


Fig. 1 - Forward Current vs. Ambient Temperature

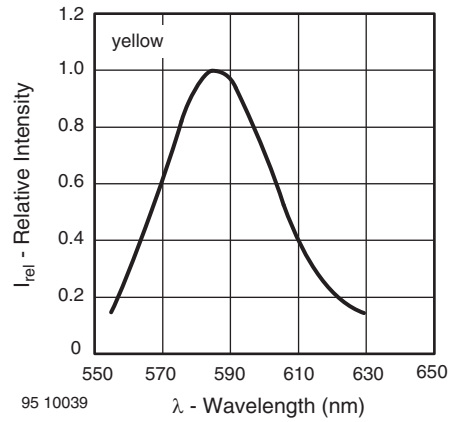


Fig. 4 - Relative Luminous Intensity vs. Wavelength

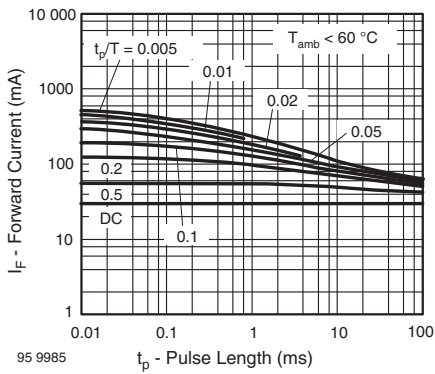


Fig. 2 - Forward Current vs. Pulse Length

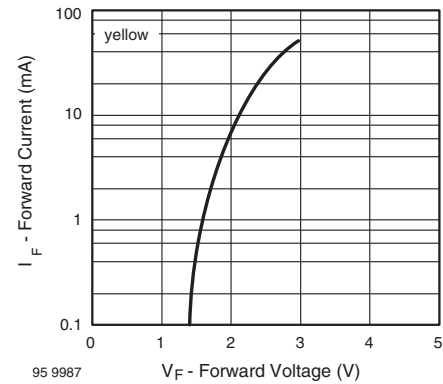


Fig. 5 - Forward Current vs. Forward Voltage

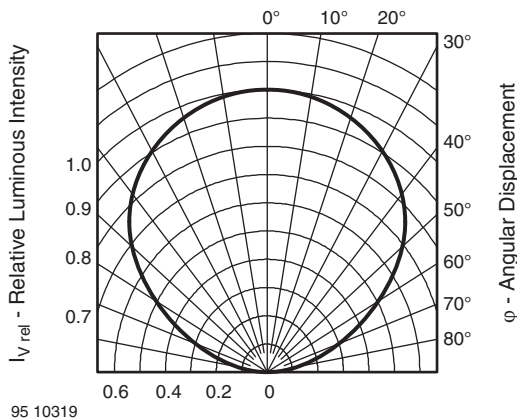


Fig. 3 - Relative Luminous Intensity vs. Angular Displacement

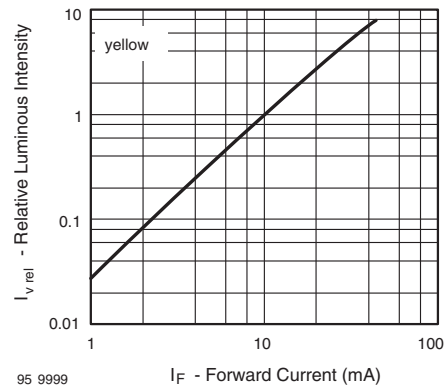


Fig. 6 - Relative Luminous Intensity vs. Forward Current

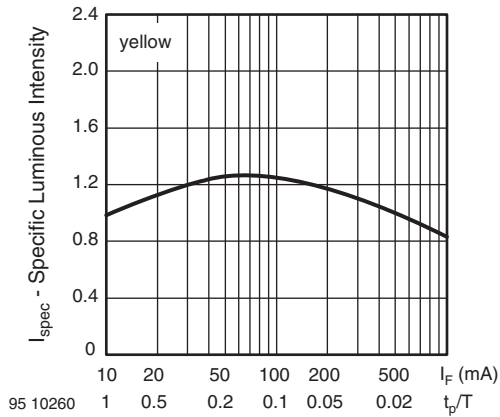


Fig. 7 - Relative Luminous Intensity vs. Forward Current/Duty Cycle

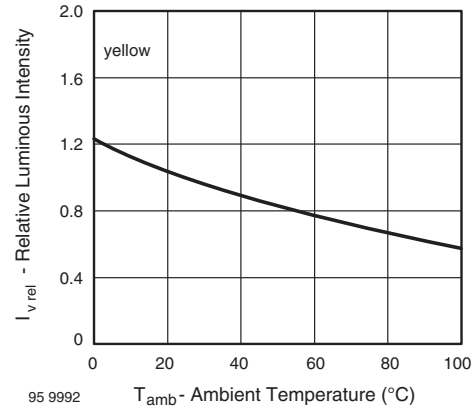
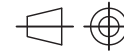
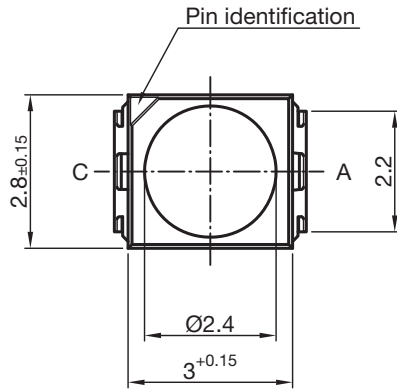
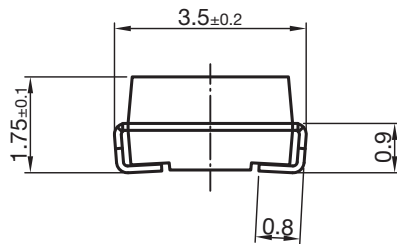


Fig. 8 - Relative Luminous Intensity vs. Ambient Temperature

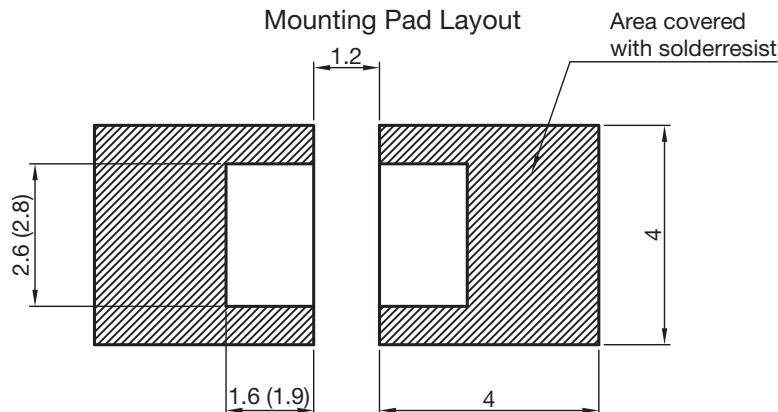
**PACKAGE DIMENSIONS** in millimeters



Technical drawings according to DIN specifications

Dimensions in mm

Drawing-No.: 6.541-5067.01-4  
Issue: 6; 23.09.13

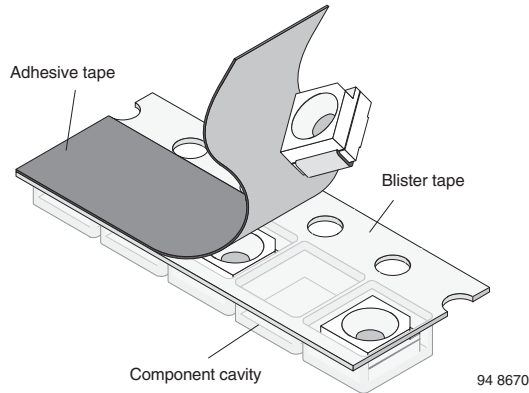


Dimensions: Reflow and vapor phase (wave soldering)

**METHOD OF TAPING / POLARITY AND TAPE AND REEL**

**SMD LED (VLM.3-SERIES)**

Vishay's LEDs in SMD packages are available in an antistatic 8 mm blister tape (in accordance with DIN IEC 40 (CO) 564) for automatic component insertion. The blister tape is a plastic strip with impressed component cavities, covered by a top tape.



**REEL PACKAGE DIMENSION IN MILLIMETERS FOR SMD LEDs, TAPE OPTION GS18 (= 8000 PCS.) PREFERRED**

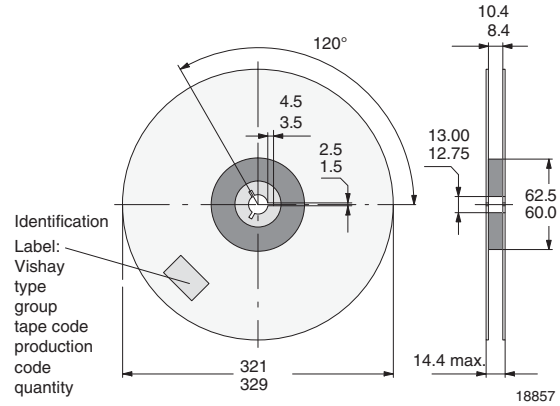


Fig. 11 - Reel Dimensions - GS18

**TAPING OF VLM.3...**

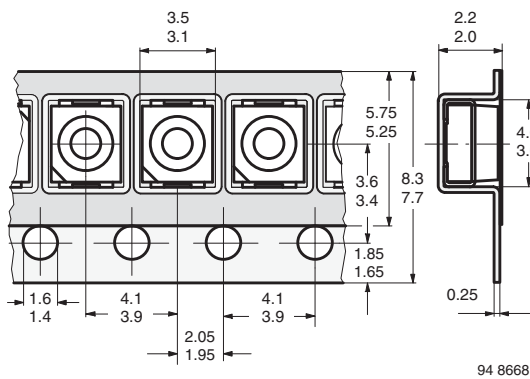


Fig. 9 - Tape Dimensions in mm for PLCC-2

**SOLDERING PROFILE**

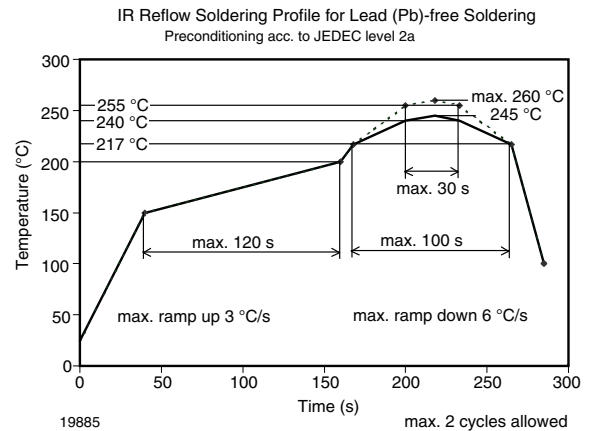


Fig. 12 - Vishay Lead (Pb)-free Reflow Soldering Profile (acc. to J-STD-020)

**REEL PACKAGE DIMENSION IN MILLIMETERS FOR SMD LEDs, TAPE OPTION GS08 (= 1500 PCS.)**

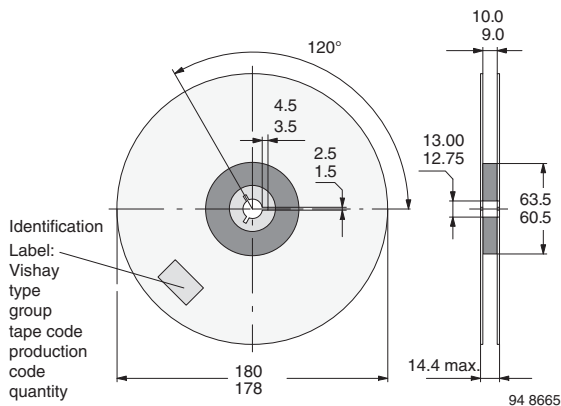


Fig. 10 - Reel Dimensions - GS08

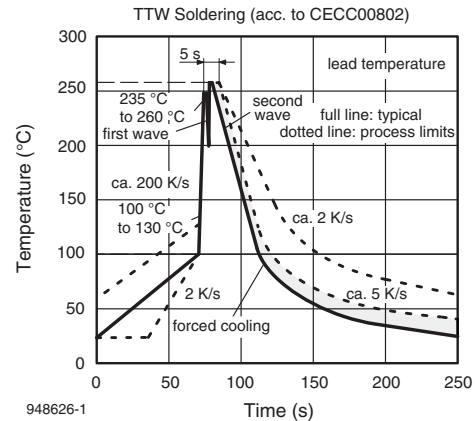
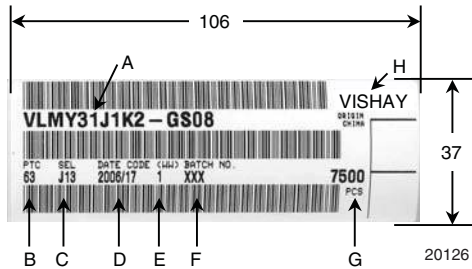


Fig. 13 - Double Wave Soldering of Opto Devices (all Packages)

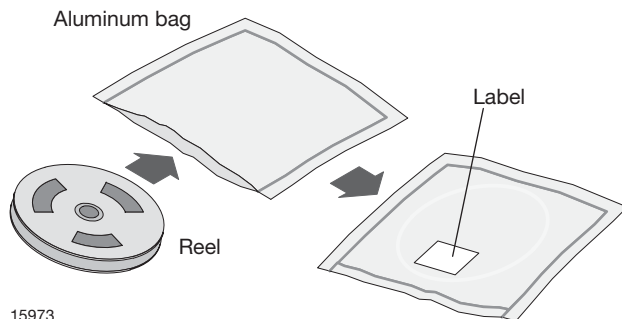
**BAR CODE PRODUCT LABEL**



- A) Type of component
- B) Manufacturing plant
- C) SEL - selection code (bin):  
e.g.: J1 = code for luminous Intensity group  
3 = code for color group
- D) Date code year / week
- E) Day code (e.g. 1: Monday)
- F) Batch no.
- G) Total quantity
- H) Company code

**DRY PACKING**

The reel is packed in an anti-humidity bag to protect the devices from absorbing moisture during transportation and storage.



**FINAL PACKING**

The sealed reel is packed into a cardboard box. A secondary cardboard box is used for shipping purposes.

**RECOMMENDED METHOD OF STORAGE**

Dry box storage is recommended as soon as the aluminum bag has been opened to prevent moisture absorption. The following conditions should be observed, if dry boxes are not available:

- Storage temperature 10 °C to 30 °C
- Storage humidity ≤ 60 % RH max.

After more than 672 h under these conditions moisture content will be too high for reflow soldering.

In case of moisture absorption, the devices will recover to the former condition by drying under the following condition: 192 h at 40 °C + 5 °C / - 0 °C and < 5 % RH (dry air / nitrogen) or

96 h at 60 °C + 5 °C and < 5 % RH for all device containers or

24 h at 100 °C + 5 °C not suitable for reel or tubes.

An EIA JEDEC standard JESD22-A112 level 2a label is included on all dry bags.

**CAUTION**  
This bag contains  
MOISTURE-SENSITIVE DEVICES

LEVEL

2a

1. Shelf life in sealed bag 12 months at <40°C and < 90% relative humidity (RH)
2. After this bag is opened devices that will be subjected to infrared reflow, vapor-phase reflow, or equivalent processing (peak package body temp. 260°C) must be:
  - a) Mounted within **672 hours** at factory condition of ≤ 30°C/60%RH or
  - b) Stored at ≤10% RH.
3. Devices require baking before mounting if:
  - a) Humidity Indicator Card is >10% when read at 23°C ± 5°C or
  - b) 2a or 2b is not met.
4. If baking is required, devices may be baked for:
 

|  |  |
|--|--|
| <b>192 hours</b> at 40°C + 5°C/-0°C and <5%RH (dry air/nitrogen) | <b>or</b>                              |
| <b>96 hours</b> at 60±5°C and <5%RH                              | <b>For all device containers or</b>    |
| <b>24 hours</b> at 100±5°C                                       | <b>Not suitable for reels or tubes</b> |

Bag Seal Date: \_\_\_\_\_  
(If blank, see bar code label)

Note: LEVEL defined by EIA JEDEC Standard JESD22-A113

Example of JESD22-A112 Level 2a Label

**ESD PRECAUTION**

Proper storage and handling procedures should be followed to prevent ESD damage to the devices especially when they are removed from the antistatic shielding bag. Electrostatic sensitive devices warning labels are on the packaging.

**VISHAY SEMICONDUCTORS STANDARD BAR CODE LABELS**

The Vishay Semiconductors standard bar code labels are printed at final packing areas. The labels are on each packing unit and contain Vishay Semiconductors specific data.



## **Disclaimer**

ALL PRODUCT, PRODUCT SPECIFICATIONS AND DATA ARE SUBJECT TO CHANGE WITHOUT NOTICE TO IMPROVE RELIABILITY, FUNCTION OR DESIGN OR OTHERWISE.

Vishay Intertechnology, Inc., its affiliates, agents, and employees, and all persons acting on its or their behalf (collectively, "Vishay"), disclaim any and all liability for any errors, inaccuracies or incompleteness contained in any datasheet or in any other disclosure relating to any product.

Vishay makes no warranty, representation or guarantee regarding the suitability of the products for any particular purpose or the continuing production of any product. To the maximum extent permitted by applicable law, Vishay disclaims (i) any and all liability arising out of the application or use of any product, (ii) any and all liability, including without limitation special, consequential or incidental damages, and (iii) any and all implied warranties, including warranties of fitness for particular purpose, non-infringement and merchantability.

Statements regarding the suitability of products for certain types of applications are based on Vishay's knowledge of typical requirements that are often placed on Vishay products in generic applications. Such statements are not binding statements about the suitability of products for a particular application. It is the customer's responsibility to validate that a particular product with the properties described in the product specification is suitable for use in a particular application. Parameters provided in datasheets and / or specifications may vary in different applications and performance may vary over time. All operating parameters, including typical parameters, must be validated for each customer application by the customer's technical experts. Product specifications do not expand or otherwise modify Vishay's terms and conditions of purchase, including but not limited to the warranty expressed therein.

Except as expressly indicated in writing, Vishay products are not designed for use in medical, life-saving, or life-sustaining applications or for any other application in which the failure of the Vishay product could result in personal injury or death. Customers using or selling Vishay products not expressly indicated for use in such applications do so at their own risk. Please contact authorized Vishay personnel to obtain written terms and conditions regarding products designed for such applications.

No license, express or implied, by estoppel or otherwise, to any intellectual property rights is granted by this document or by any conduct of Vishay. Product names and markings noted herein may be trademarks of their respective owners.

# Mouser Electronics

Authorized Distributor

Click to View Pricing, Inventory, Delivery & Lifecycle Information:

[Vishay:](#)

[VLMY31J1K2-GS08](#) [VLMY31J1K2-GS18](#) [VLMY31J1L2-GS08](#) [VLMY31J1L2-GS18](#) [VLMY31K1L2-GS08](#)  
[VLMY31K1L2-GS18](#) [VLMY3102-GS08](#) [VLMY31J2K2-GS08](#) [VLMY31J2K2-GS18](#)