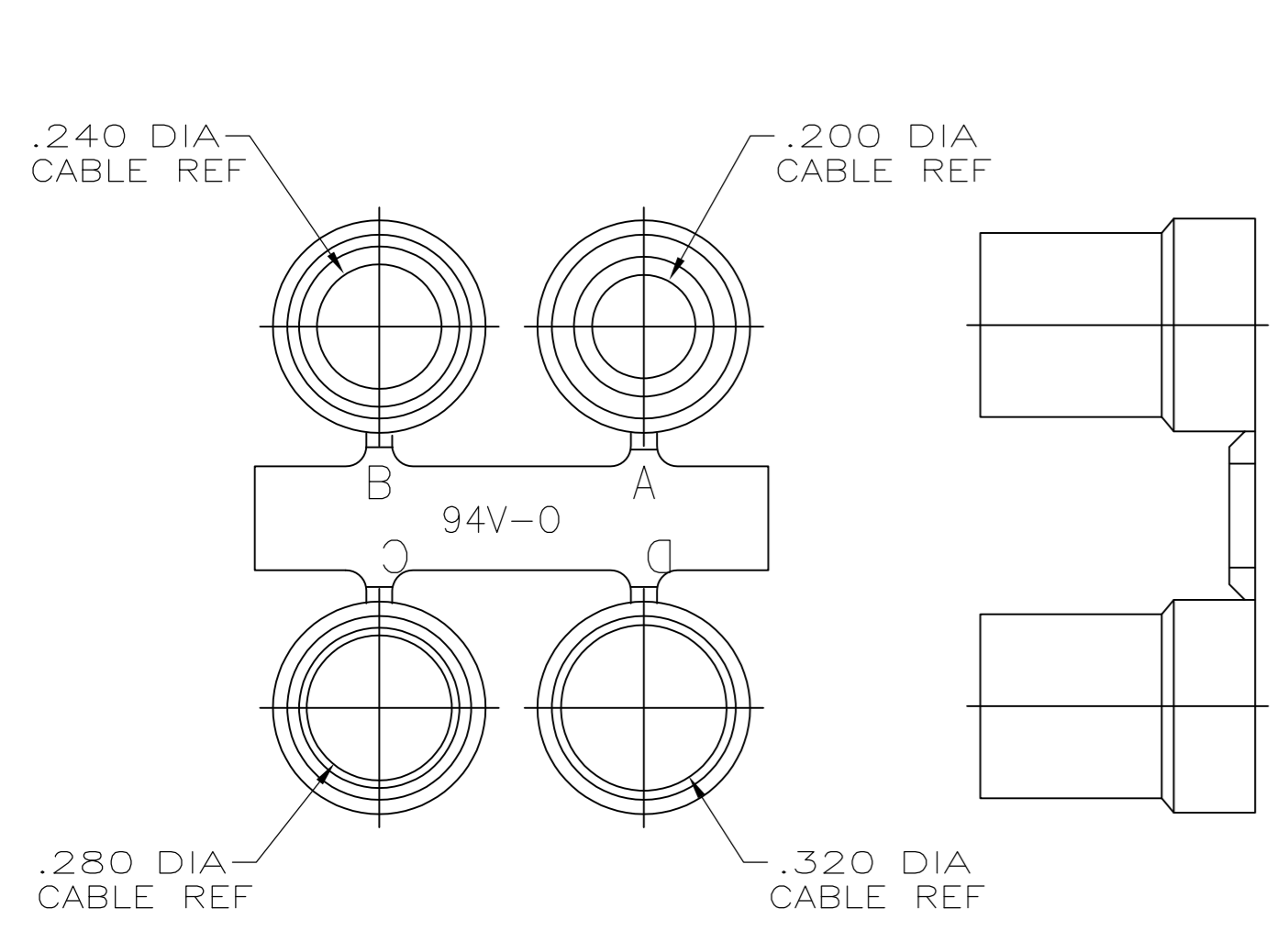
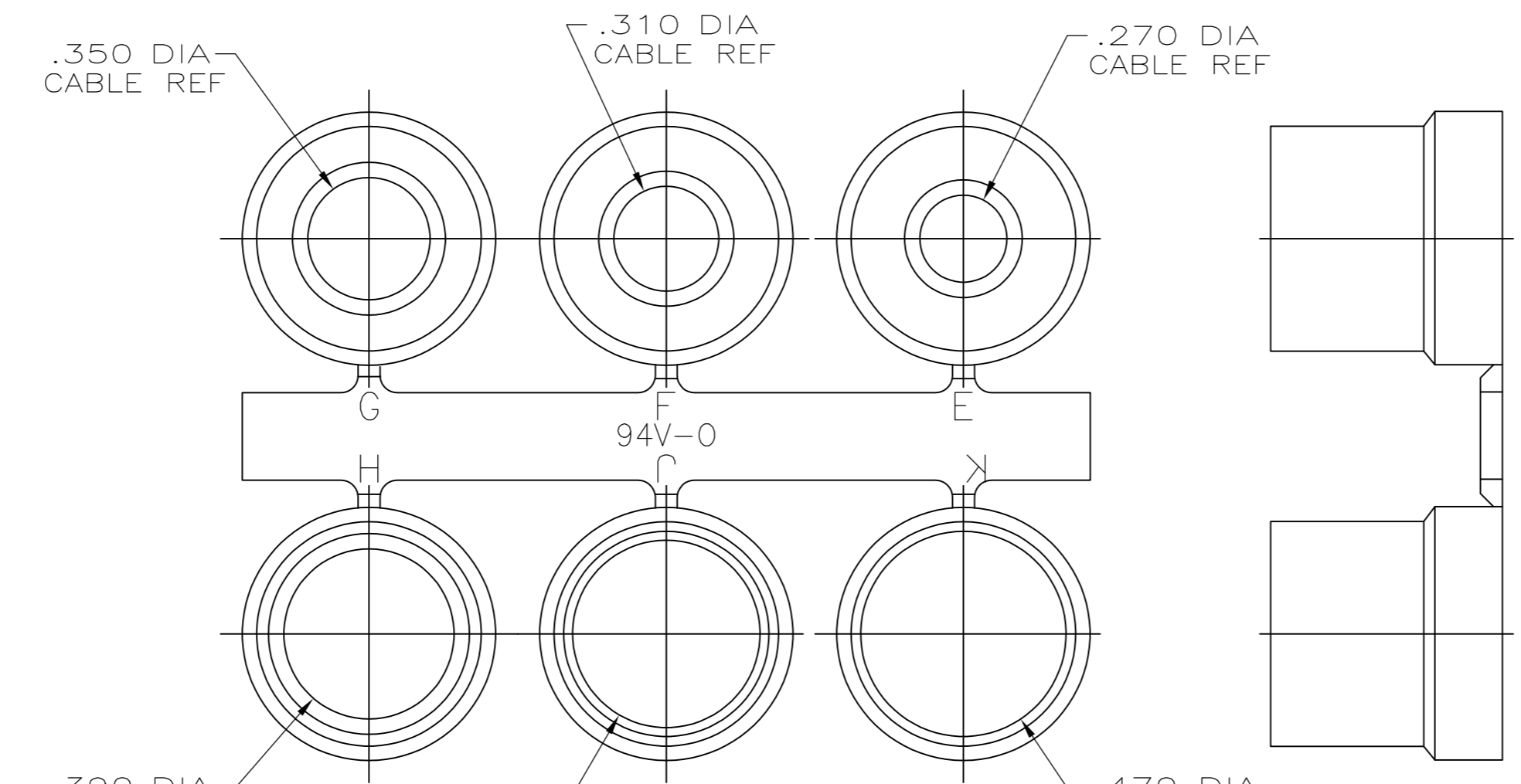


- PARTS PACKAGED UNASSEMBLED AS A UNIT KIT.
- CABLE CLAMPS: ABS COMPOUND, COLOR BLACK.
 - FILISTER HEAD SCREWS, HEX NUTS & MOUNTING SCREWS: STEEL.
 - GROMMETS: FLEXIBLE PVC, UL 94V-0 RATED, COLOR BLACK.
- CABLE CLAMPS: UNPLATED.
 - FILISTER HEAD SCREWS, HEX NUTS & MOUNTING SCREWS: ZINC PLATED CLEAR CHROMATE COATED.
- SIZE 3 CONFIGURATION SHOWN. NUMBER AND SIZE OF SLOTS IN THIS AREA VARIES BY CABLE CLAMP SIZE.



GROMMET ASSORTMENT
TYPE 1
SEE TABLE



GROMMET ASSORTMENT
TYPE 2
SEE TABLE

TYPE 2	.900	.730	2.644	1.920	2.406	5	5748678-5
TYPE 2	.800	.620	2.738	1.920	2.500	4	5748678-4
TYPE 2	.680	.640	2.090	1.920	1.852	3	5748678-3
TYPE 1	.620	.620	1.545	1.910	1.312	2	5748678-2
TYPE 1	.570	.630	1.215	1.910	.984	1	5748678-1
GROMMET ASSORTMENT	E	D	C	B	A	SIZE	PART NO

**COPYRIGHT 2005
TE CONNECTIVITY CORP
ALL RIGHTS RESERVED**

THIS DRAWING IS A CONTROLLED DOCUMENT.		DWN: R. RICHARDSON 15SEP05	 TE Connectivity
DIMENSIONS: INCHES		CHK: C. ROHDE 15SEP05	
TOLERANCES UNLESS OTHERWISE SPECIFIED:		APVD: M. WALMSLEY 15SEP05	NAME: KIT, CABLE CLAMP, 180 DEGREES EXIT, UNPLATED, BLACK.
0 PLC ± - 1 PLC ± - 2 PLC ± - 3 PLC ± .005 4 PLC ± - ANGLES ± -		PRODUCT SPEC: -	APPLICATION SPEC: -
MATERIAL:	FINISH:	WEIGHT: -	RESTRICTED TO: -
CUSTOMER DRAWING		SIZE: A1	SCALE: 3:1
		CAGE CODE: 00779	DRAWING NO: 5748678
		SHEET: 1 OF 1	REV: A1

Mouser Electronics

Authorized Distributor

Click to View Pricing, Inventory, Delivery & Lifecycle Information:

[TE Connectivity:](#)

[5748678-2](#)