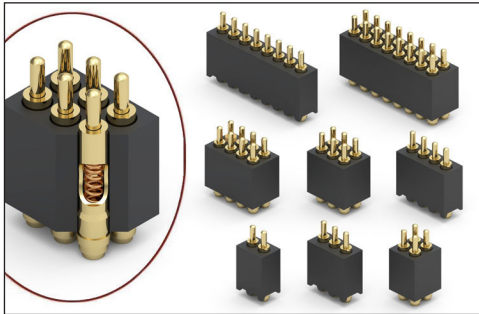


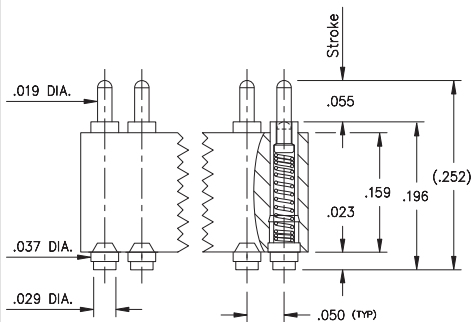
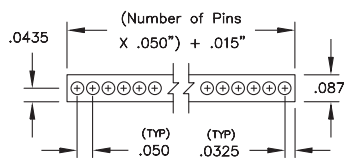
SPRING-LOADED CONNECTORS

SERIES 854 & 855 • .050" GRID SURFACE MOUNT, HIGH DENSITY • SINGLE AND DOUBLE ROW STRIPS

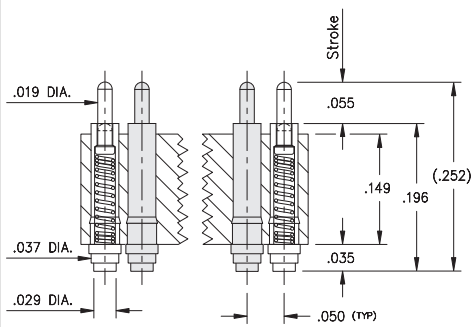
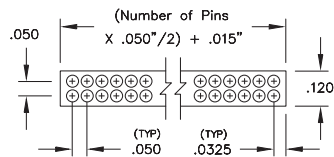


- Modular contacts for use on .050" grid, supplied in single and double row contact strips
- Precision-machined piston / base and gold-plated components assure up to 100,000 cycle life durability
- Pistons have a .0275" mid. stroke and a .055" max. stroke
- Low resistance, high current contacts are rated at 2 amps continuous, 3 amps peak
- High temperature thermoplastic insulators are suitable for surface mount processes
- 854 & 855 series contact strips are designed for manual placement onto .040" Ø solder pads
- 855 series is also available on tape & reel packaging, see page 19.1

SINGLE ROW Series 854



DOUBLE ROW Series 855



ORDERING INFORMATION

Single Row Series 854

854-22-0XX-30-001101

Specify number of contacts 02-20

Double Row Series 855

855-22-0XX-30-001101

Specify number of contacts 04-40

For 855 Tape & Reel packaging, see page 19.1

Technical Specifications

Materials:

Contact piston & base: Machined copper alloy plated 20µ" gold over 100µ" nickel
 Spring: Beryllium copper-plated 10µ" gold
 Insulator: High temperature thermoplastic, rated UL94 V-0

Mechanical:

Spring force @ initial height: 25 grams
 Spring force @ mid stroke (.0275"): 60 grams
 Durability: Up to 100,000 cycles

Electrical:

Voltage rating: 100Vrms/150Vdc
 Current rating: 2A (continuous), 3A (peak) per contact
 Contact resistance: 20mΩ max.
 Insulation resistance: 10,000MΩ min.
 Dielectric strength: 700Vrms min.
 Capacitance: 1pF max.

RoHS-2
2011/65/EU



Mouser Electronics

Authorized Distributor

Click to View Pricing, Inventory, Delivery & Lifecycle Information:

Mill-Max:

[854-22-002-30-001101](#) [854-22-003-30-001101](#) [854-22-004-30-001101](#) [854-22-005-30-001101](#) [854-22-006-30-001101](#) [854-22-007-30-001101](#) [854-22-008-30-001101](#) [854-22-009-30-001101](#) [854-22-010-30-001101](#) [854-22-012-30-001101](#) [854-22-020-30-001101](#) [855-22-004-30-001101](#) [855-22-006-30-001101](#) [855-22-008-30-001101](#) [855-22-010-30-001101](#) [855-22-020-30-001101](#) [855-22-040-30-001101](#)