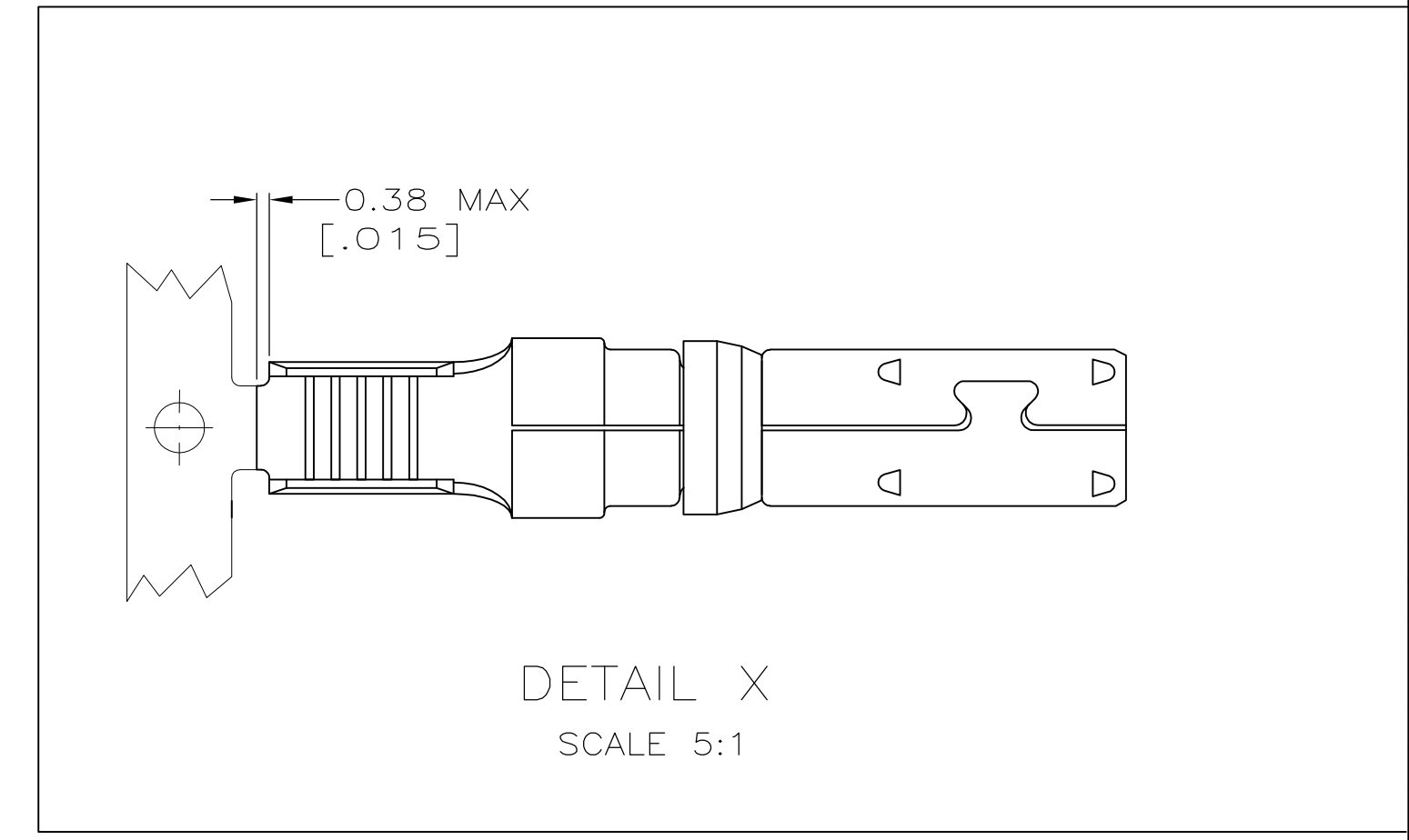
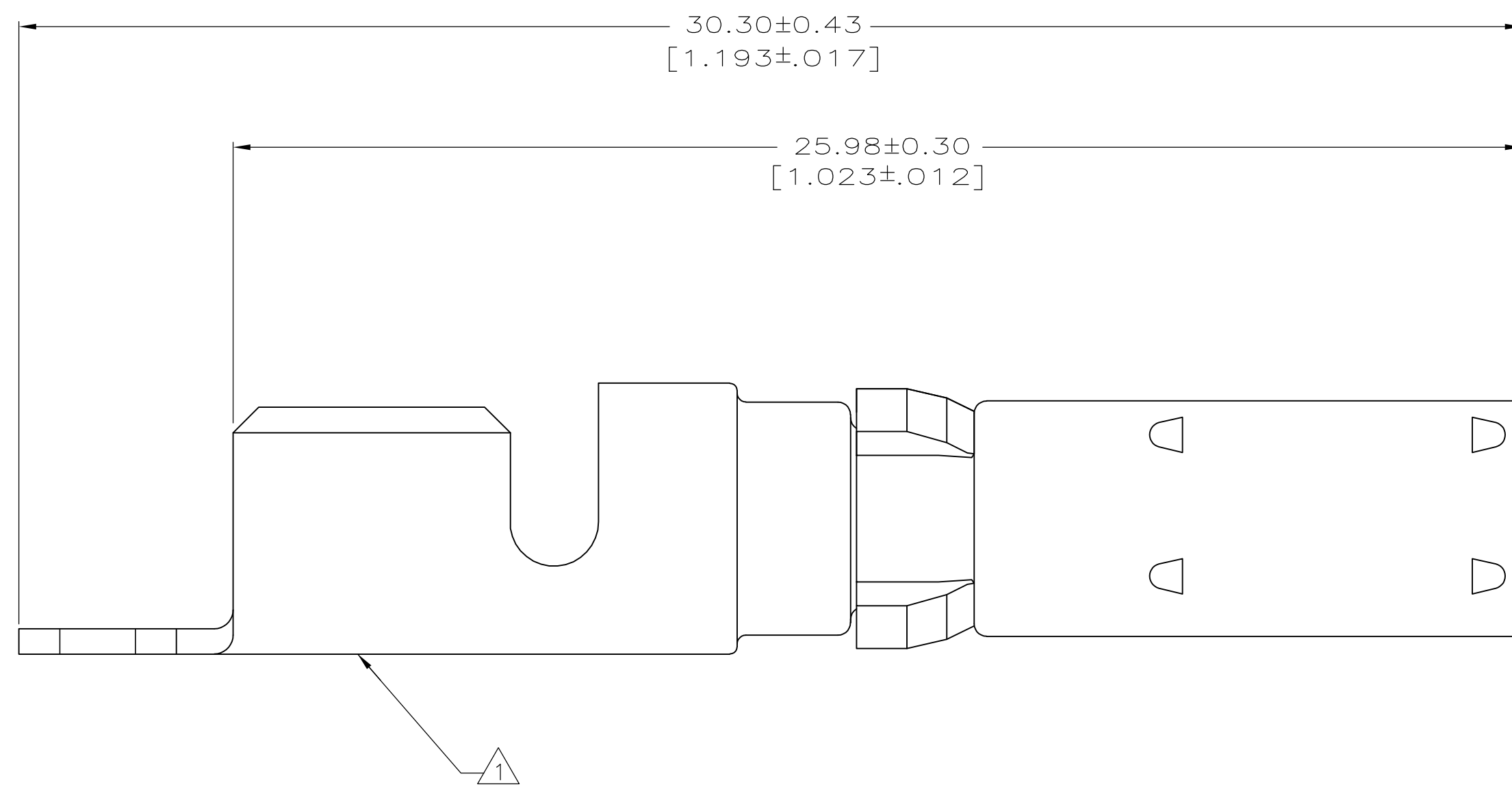
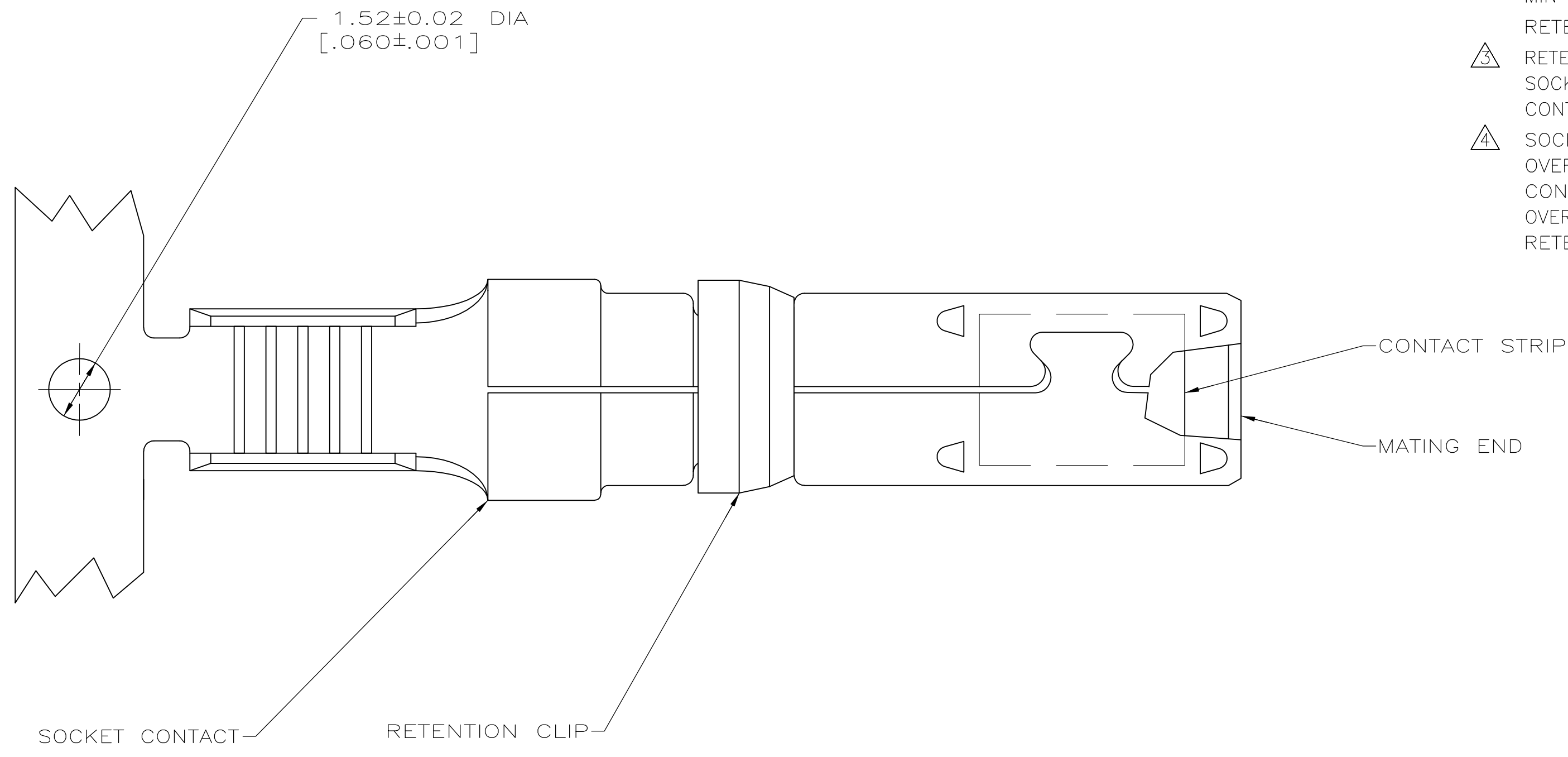


LOC		DIST		REVISIONS			
P	LTR	DESCRIPTION	DATE	DWN	APP'D		
B1		REVISED PER ECO-11-004917	11MAR11	RK	HMR		

- ⚠ WIRE SIZE AND AMP LOGO APPEAR ON OUTSIDE OF WIRE BARREL.
- ⚠ SOCKET & STRIP CONTACT: 0.76 μ [.000030] MIN GOLD PER MIL-G-45204 ON CONTACT MATING END, GOLD FLASH ON REMAINDER, ALL OVER 1.27 μ m [.000050] MIN NICKEL PER QQ-N-390.
- RETENTION CLIP: 2.54 μ m [.000100] MIN NICKEL PER QQ-N-290.
- ⚠ RETENTION CLIP: PHOSPHOR BRONZE PER QQ-B-750.
SOCKET CONTACT: COPPER PER QQ-C-576.
CONTACT STRIP: BERYLLIUM COPPER PER QQ-C-533.
- ⚠ SOCKET CONTACT: 1.27 μ m [.000050] MIN SILVER PER QQ-S-365, ALL OVER 1.27 μ m [.000050] MIN NICKEL PER QQ-N-290.
CONTACT STRIP: 5.08 μ m [.000200] MIN SILVER PER QQ-S-365, ALL OVER 1.02 μ m [.000040] MIN NICKEL PER QQ-N-290.
RETENTION CLIP: 2.54 μ m [.000100] MIN NICKEL PER QQ-N-290.



2	DETAIL X	213847-4
4	DETAIL X	213847-3
2	-	213847-2
4	-	213847-1
FINISH	LOOSE PIECE	PART NUMBER

THIS DRAWING IS A CONTROLLED DOCUMENT. DWN: W.G. LENKER 30 JUL 96
 CHK: R. STONE 05 AUG 96
 APVD: G. STEINHAUER 06 AUG 96

STE TE Connectivity

SOCKET CONTACT ASSEMBLY, 14-12 AWG, .125 POWERBAND

DIMENSIONS:	TOLERANCES UNLESS OTHERWISE SPECIFIED:	PRODUCT SPEC	APPLICATION SPEC	SIZE	CAGE CODE	DRAWING NO	RESTRICTED TO
0 PLC	± -			A1	00779	213847	
1 PLC	± -						
2 PLC	± -						
3 PLC	± -						
4 PLC	± -						
ANGLES	± -						
MATERIAL	FINISH	WEIGHT					
	SEE TABLE						

CUSTOMER DRAWING SCALE 10:1 SHEET 1 OF 1 REV B1

Mouser Electronics

Authorized Distributor

Click to View Pricing, Inventory, Delivery & Lifecycle Information:

[TE Connectivity:](#)

[213847-2](#)