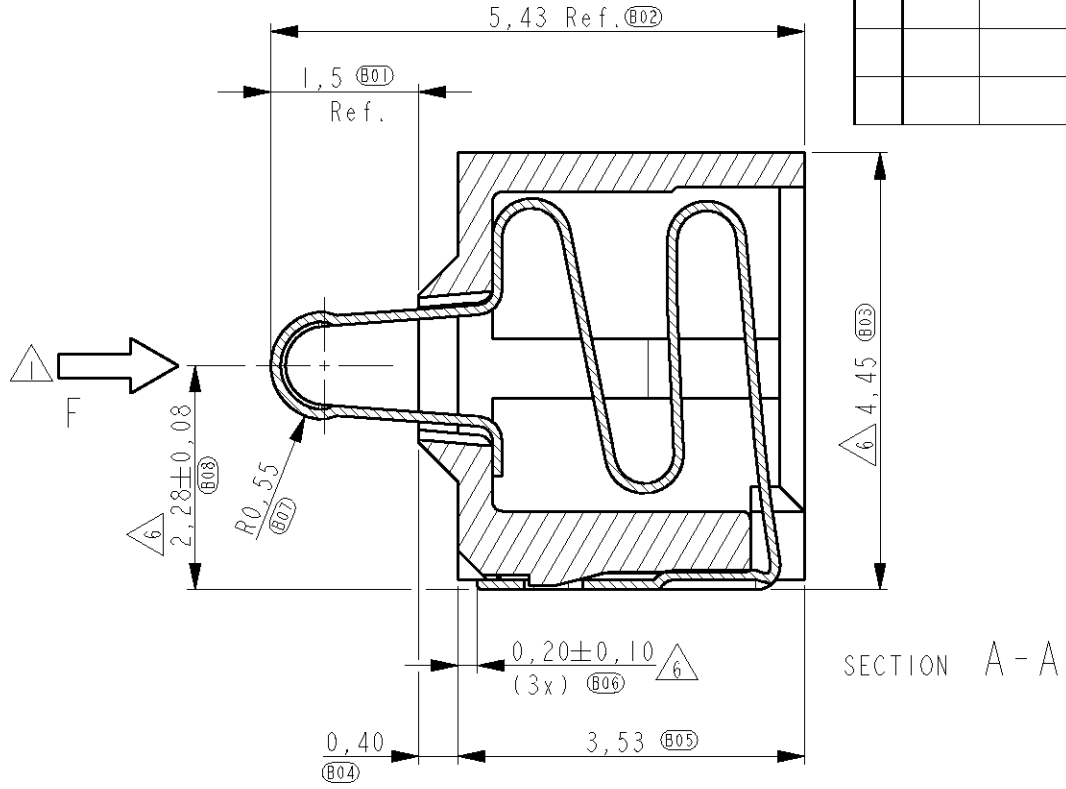
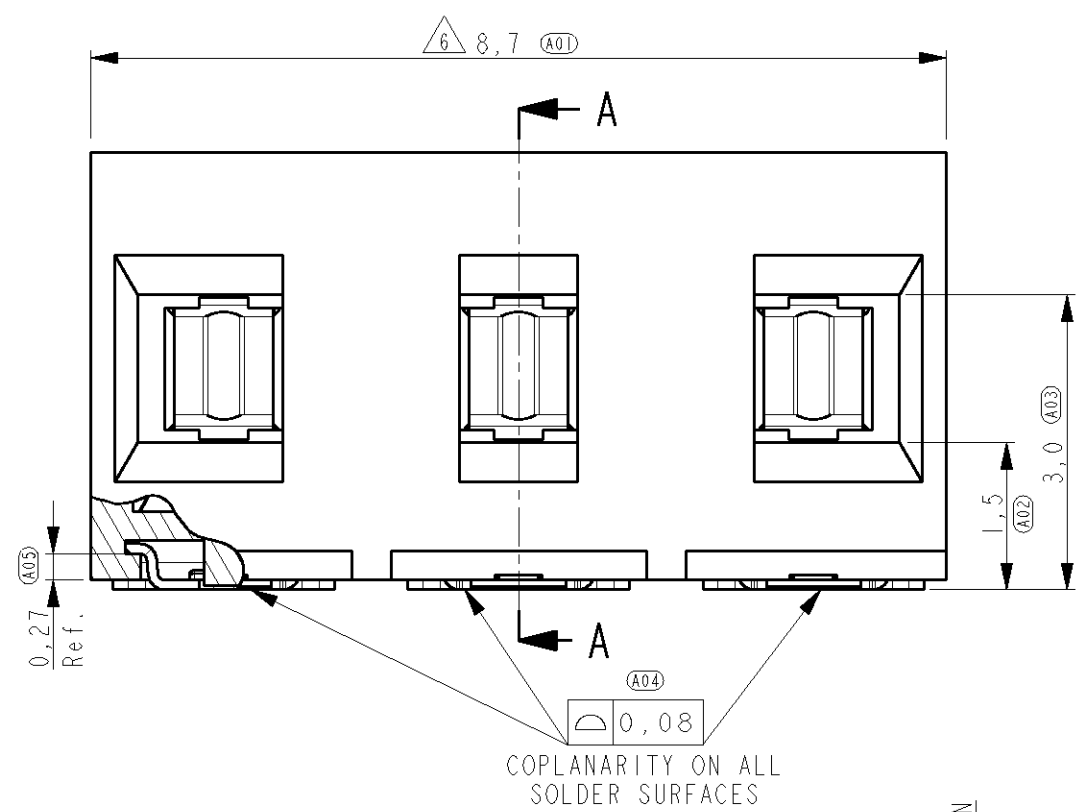


THIS DRAWING IS UNPUBLISHED. RELEASED FOR PUBLICATION
 © COPYRIGHT BY TYCO ELECTRONICS CORPORATION. ALL RIGHTS RESERVED.

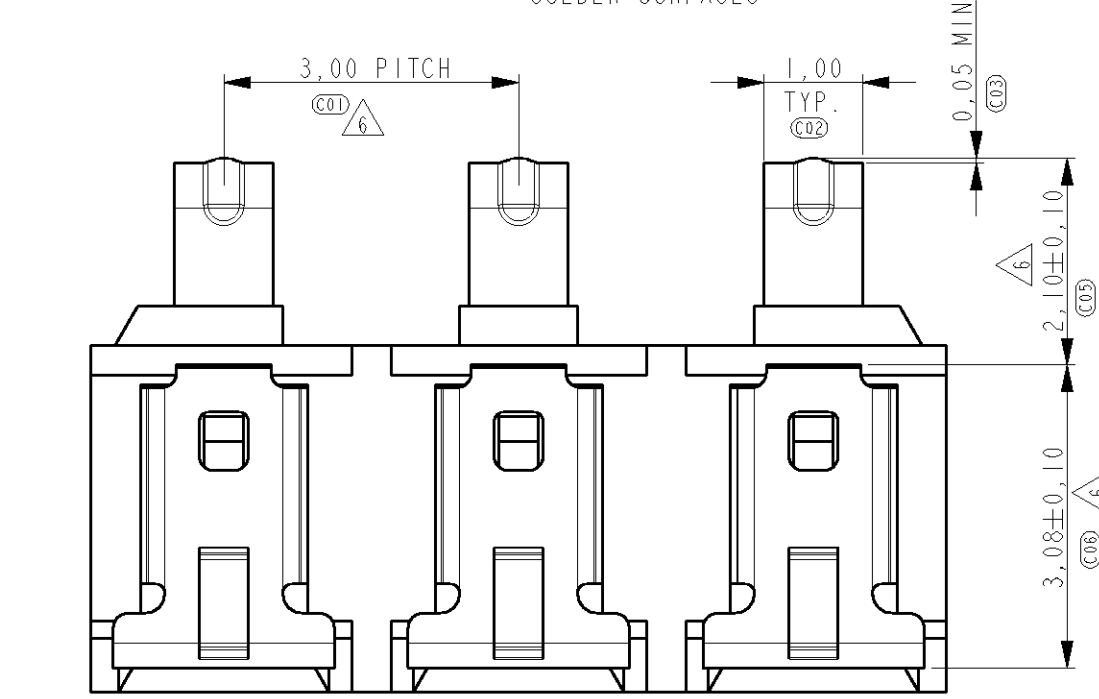
LOC	DIST	REVISIONS			
P	LTR	DESCRIPTION	DATE	DWN	APVD
H	-				
	17	Update with latest contact	07APR2008	SZ	JD

**PRELIMINARY PART
 NOT RELEASED FOR PRODUCTION**

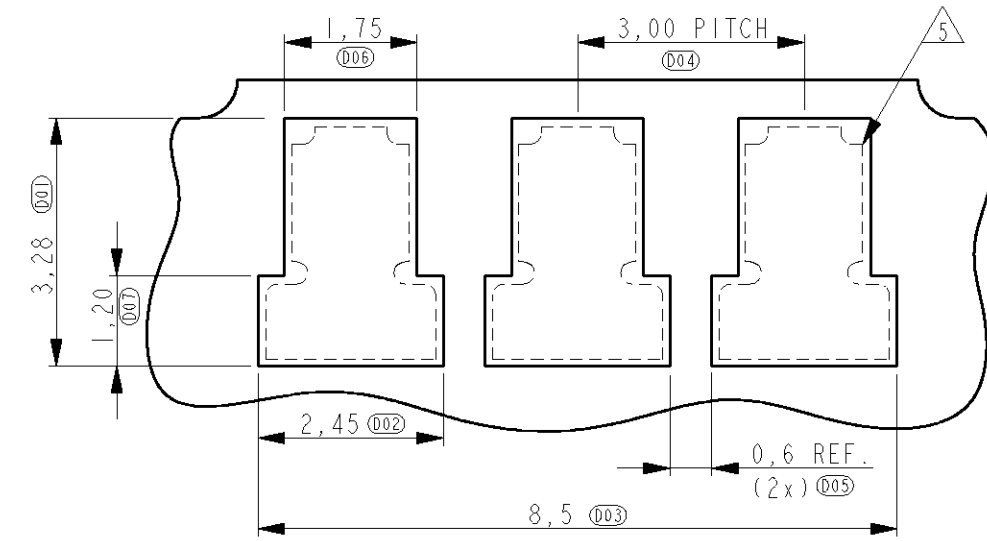
**THIS PRODUCT HAS NOT COMPLETED
 VALIDATION TESTING**



- NOTES:
- 1 MECHANICAL SPECIFICATIONS:
 contact force: see table
 durability : 3000 compression cycles
 - 2 ELECTRICAL SPECIFICATIONS:
 contact resistance : 30 mΩ
 current : 100 mA, peak max. 3A
 operating voltage : 6V
 - 3 ENVIRONMENTAL SPECIFICATIONS:
 operating temperature : -20°C to 70°C



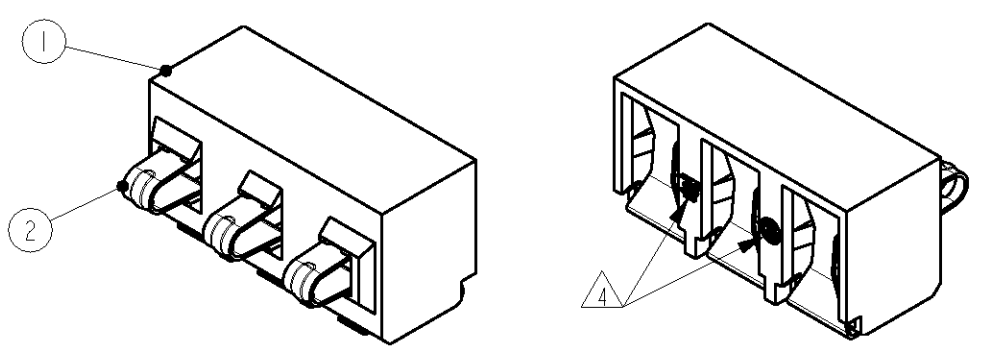
RECOMMENDED PWB LAYOUT
 (TOP VIEW)



- 4 Cavity number and Tyco Electronics logo
- 5 Contact solder area for reference only.
- 6 Dimensions used for statistical process control on 30 pieces.

	STROKE (mm)	F (N)
MIN.	0,5	0,5 MIN
NOMINAL	0,8	0,5 - 1,5
MAX.	1,3	2,0 MAX

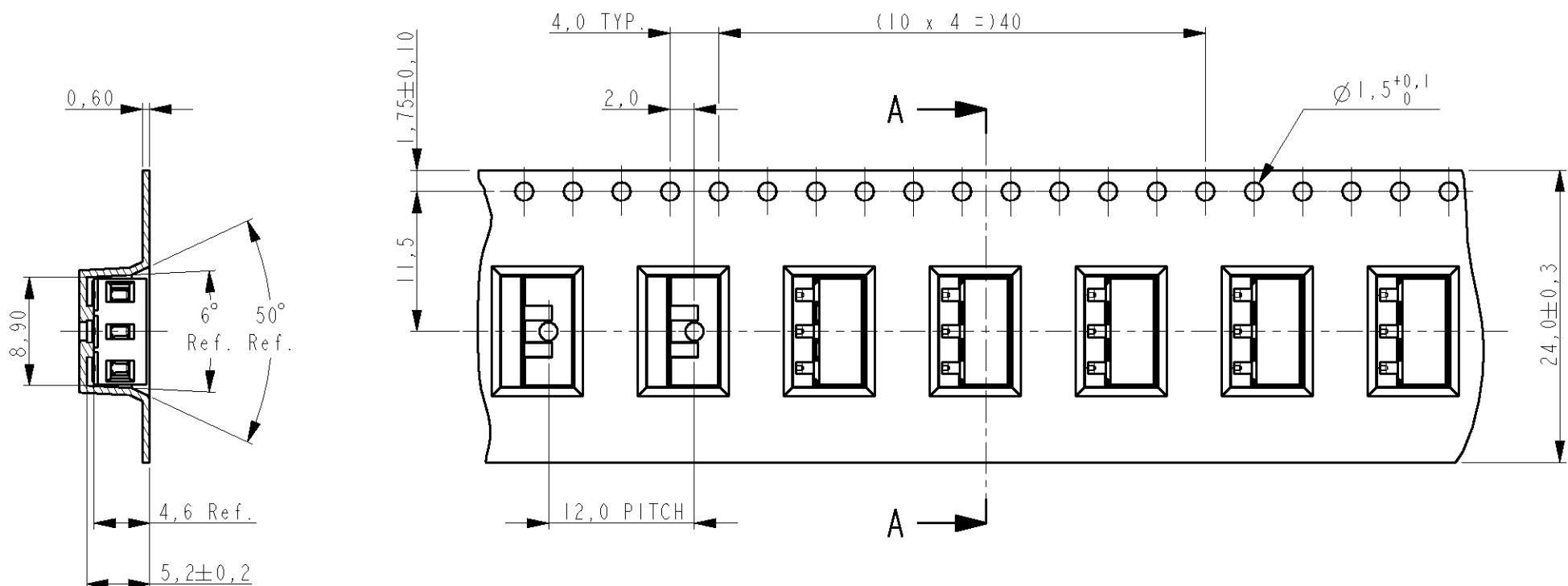
PART NUMBER 1982633-1



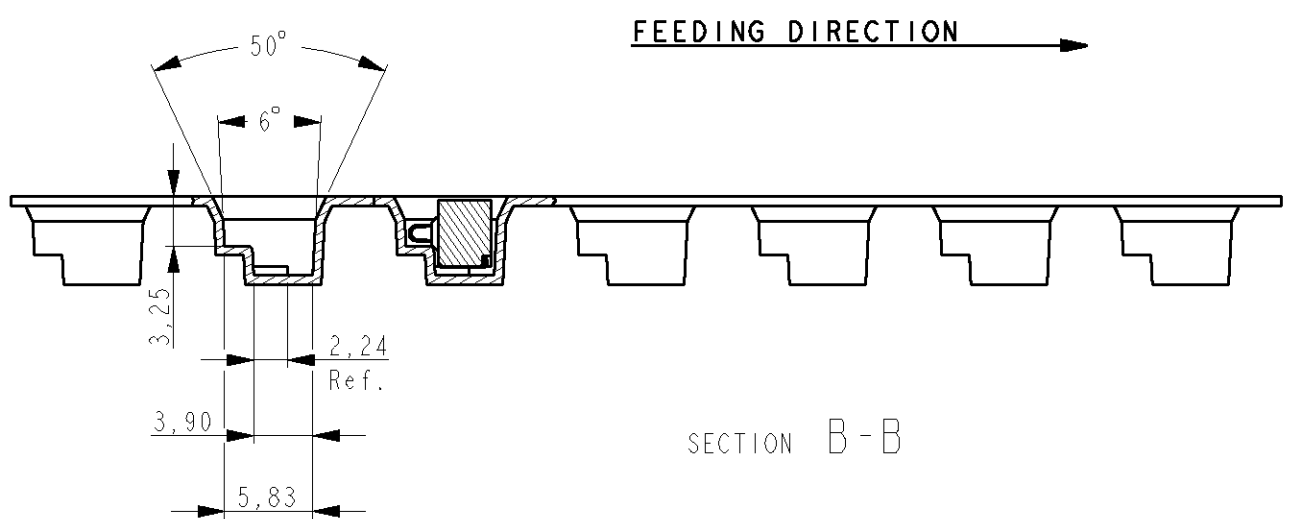
THIS DRAWING IS A CONTROLLED DOCUMENT FOR TYCO ELECTRONICS CORPORATION IT IS SUBJECT TO CHANGE AND THE CONTROLLING ENGINEERING ORGANIZATION SHOULD BE CONTACTED FOR THE LATEST REVISION.		DWN 6 JUN 2007 M. Felten CHK 7 JUN 2007 P. Willems APVD D. Halberstadt	
DIMENSIONS: mm		TOLERANCES UNLESS OTHERWISE SPECIFIED: 0 PLC ±0,2 1 PLC ±0,1 2 PLC ±0,05 3 PLC ±0,025 4 PLC ±0,005 ANGLES ±2	
MATERIAL see BOM		FINISH see BOM	
WEIGHT 183 mg		PRODUCT SPEC 108-19351	
APPLICATION SPEC -		Tyco Electronics Corporation 's-Hertogenbosch, Nederland	
CUSTOMER DRAWING		NAME 3 POSITION BATTERY CONNECTOR	
SIZE A3	CAGE CODE 00779	DRAWING NO C-1982633	RESTRICTED TO
SCALE 13:1		SHEET 1 OF 2	REV 17

THIS DRAWING IS UNPUBLISHED. RELEASED FOR PUBLICATION
 © COPYRIGHT BY TYCO ELECTRONICS CORPORATION. ALL RIGHTS RESERVED.

LOC	DIST	REVISIONS			
P	LTR	DESCRIPTION	DATE	DWN	APVD
H	-	SEE SHEET 1	-	-	-



NOTES:
 7 PACKAGING
 reel size : t.b.d.
 quantity per reel : t.b.d.
 leading empty pockets : t.b.d.
 trailing empty pockets : t.b.d.



**PRELIMINARY PART
 NOT RELEASED FOR PRODUCTION**
**THIS PRODUCT HAS NOT COMPLETED
 VALIDATION TESTING**

<small>THIS DRAWING IS A CONTROLLED DOCUMENT FOR TYCO ELECTRONICS CORPORATION IT IS SUBJECT TO CHANGE AND THE CONTROLLING ENGINEERING ORGANIZATION SHOULD BE CONTACTED FOR THE LATEST REVISION.</small>		DWN 6 JUN 2007 M. Felten CHK 7 JUN 2007 P. Willems APVD D. Halberstadt		Tyco Electronics Corporation 's-Hertogenbosch, Nederland	
DIMENSIONS: mm		TOLERANCES UNLESS OTHERWISE SPECIFIED: 0 PLC ±0,2 1 PLC ±0,1 2 PLC ±0,05 3 PLC ±0,025 4 PLC ±0,005 ANGLES ±2		NAME 3 POSITION BATTERY CONNECTOR	
MATERIAL see BOM		FINISH see BOM		PRODUCT SPEC - APPLICATION SPEC - WEIGHT 176 mg	
		CUSTOMER DRAWING		SIZE A3 CAGE CODE 00779 DRAWING NO C-1982633	RESTRICTED TO
				SCALE 13:1	SHEET 2 OF 2 REV 17

Mouser Electronics

Authorized Distributor

Click to View Pricing, Inventory, Delivery & Lifecycle Information:

[TE Connectivity:](#)

[1982633-1](#)