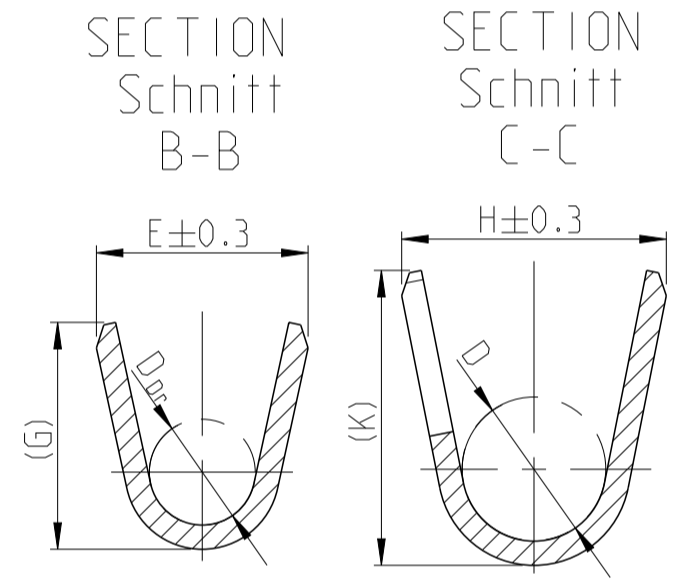
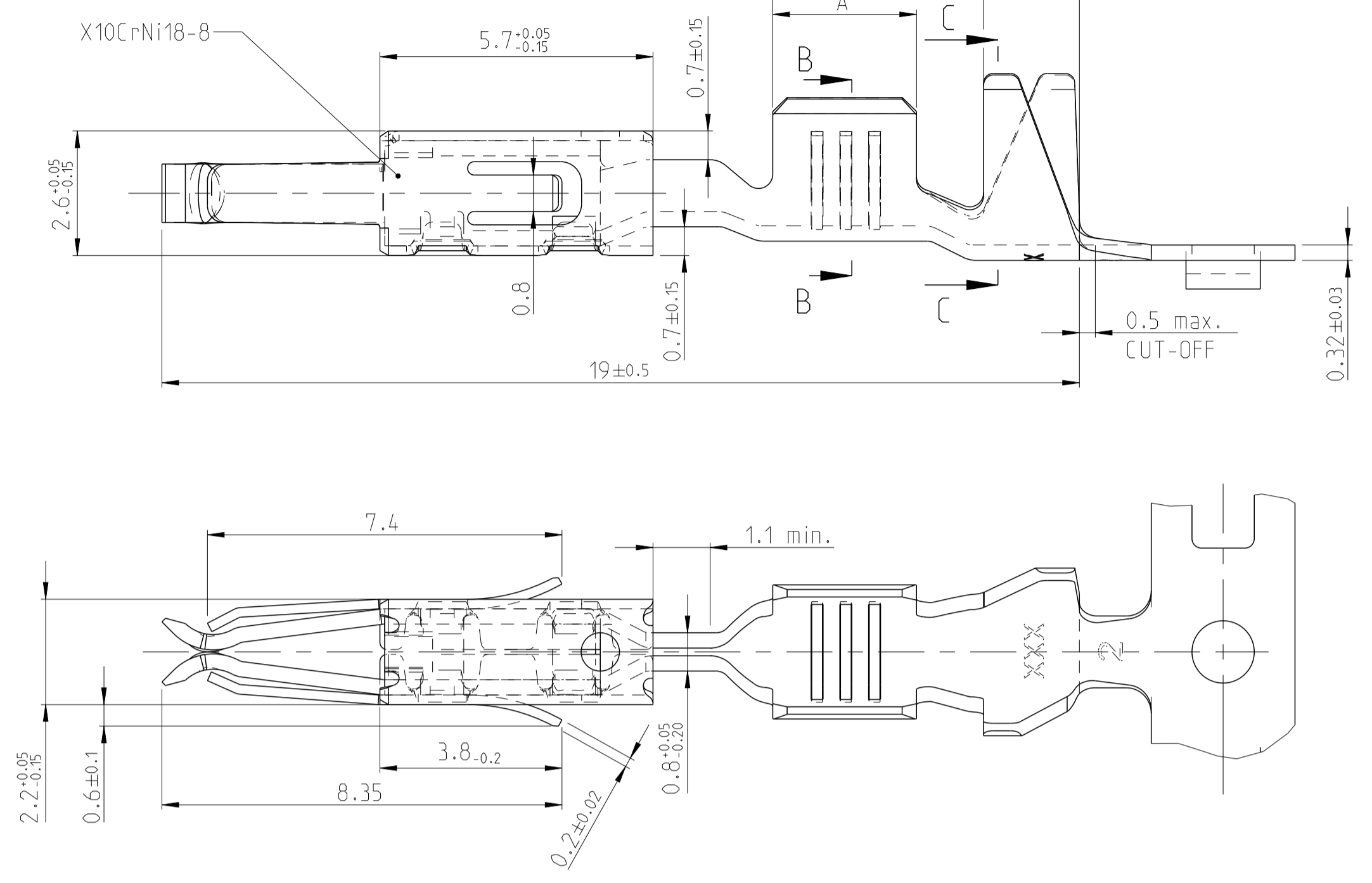
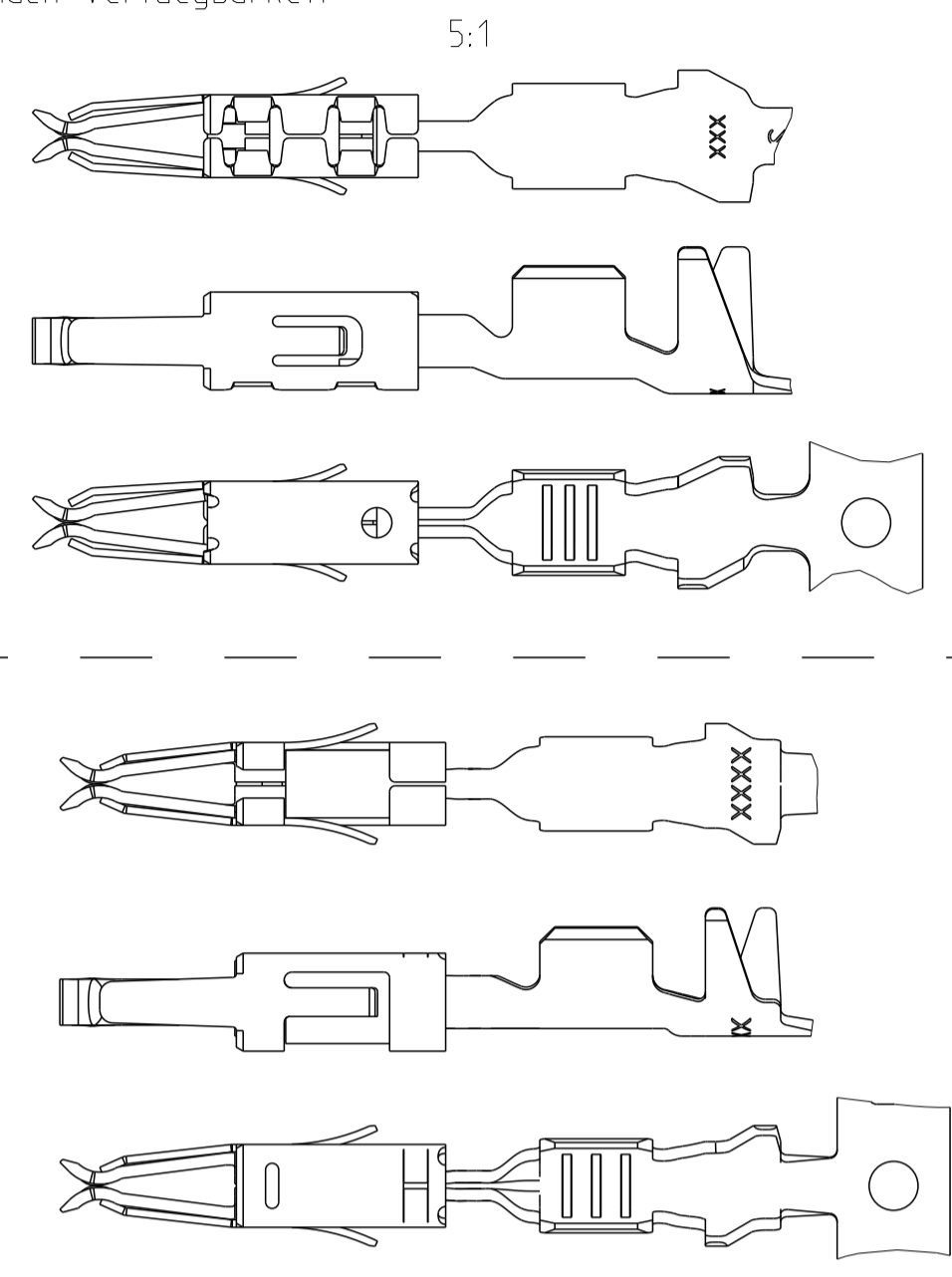


DESIGN 1  
Ausführung 1

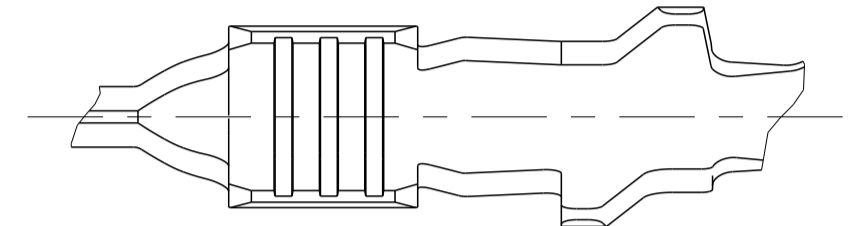
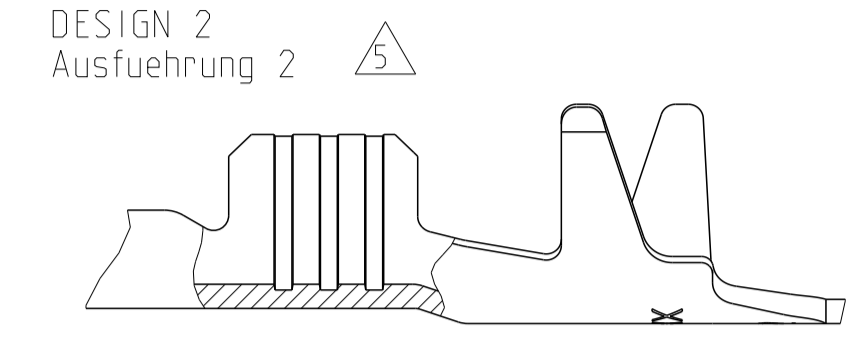


SPRING / Ueberfeder

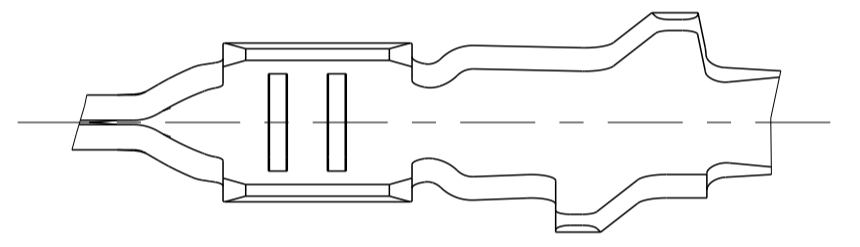
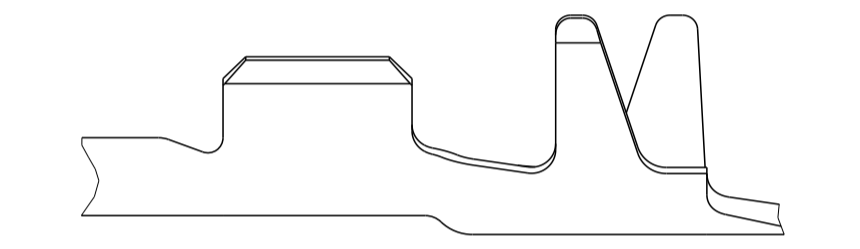
DIFFERENT TOOL DETAILS  
 Verschiedene Werkzeugausfuehrungen  
 FUNCTION AND HANDLING WITH  
 ALL DETAILS CONTINUOUSLY  
 Funktion und Handhabung  
 bei allen Ausfuehrungen gleich  
 SUPPLY BASED ON AVAILABILITY  
 Lieferung nach Veruegbarkeit



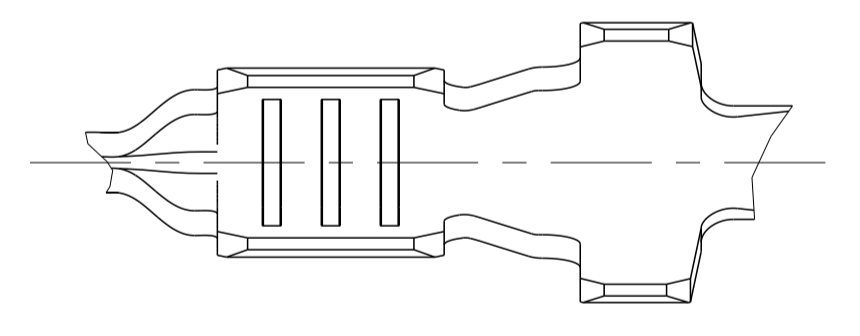
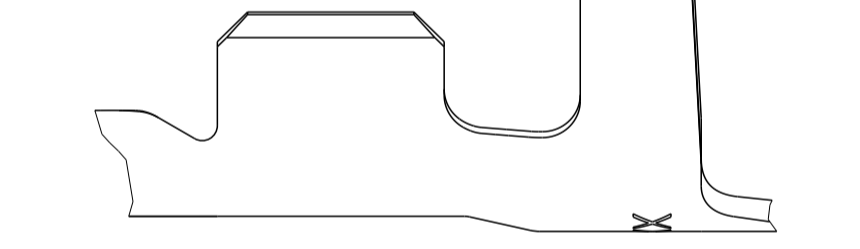
FLR-WIRE  
FLR-Leitung



DESIGN 3  
Ausfuehrung 3



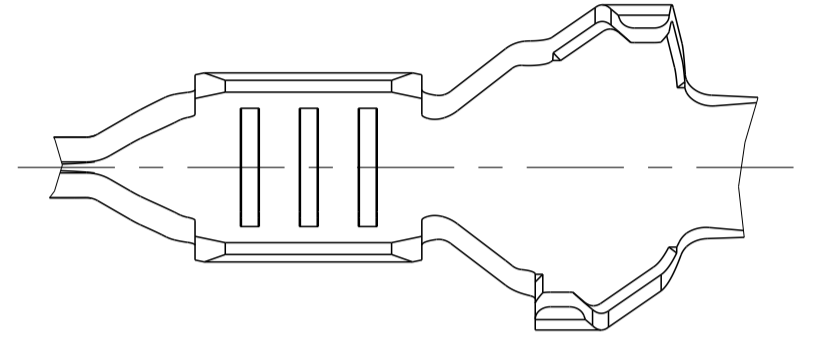
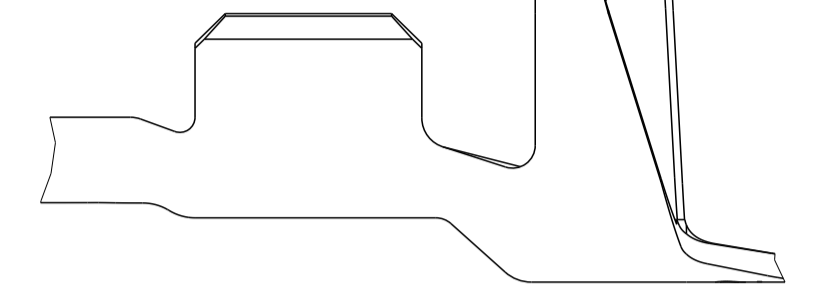
DESIGN 4  
Ausfuehrung 4



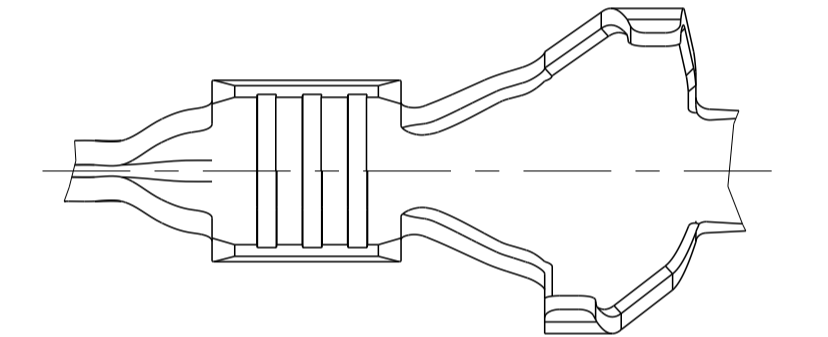
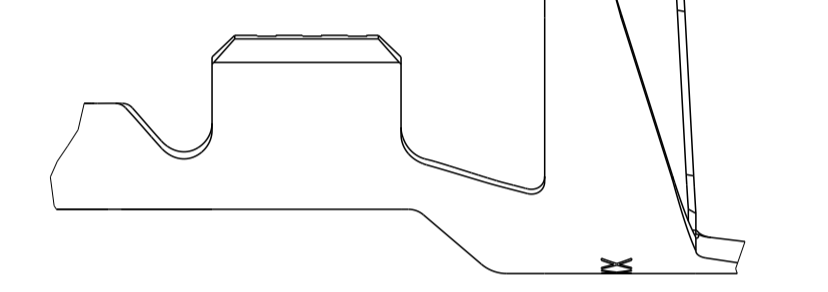
REVISIONS					
P.	LTN	DESCRIPTION	DATE	DMN	APVD
B9		New Creo drawing created and PN's obsolete	16APR2016	Hornika	M. Eder
B10		964274-8 and 2141902-8 added	12FEB2015	Mahrle	Schm.
B11		ADD PRODUCT WEIGHT	10JUN2016	Hornika	Schm.
B12		DRAWING VIEW CORRECTED	17JUN2016	HD.	SCH

FLR- AND FLK-CABLE  
FLR- und FLK- Leitung

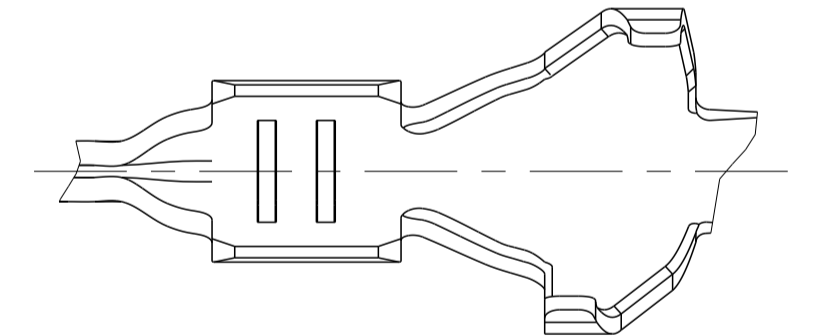
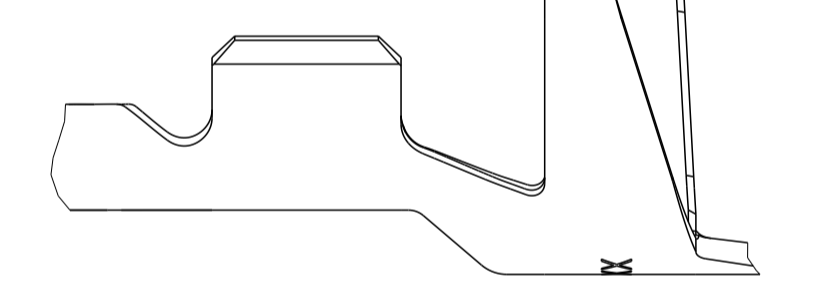
DESIGN 5  
Ausfuehrung 5



DESIGN 6  
Ausfuehrung 6



DESIGN 7  
Ausfuehrung 7



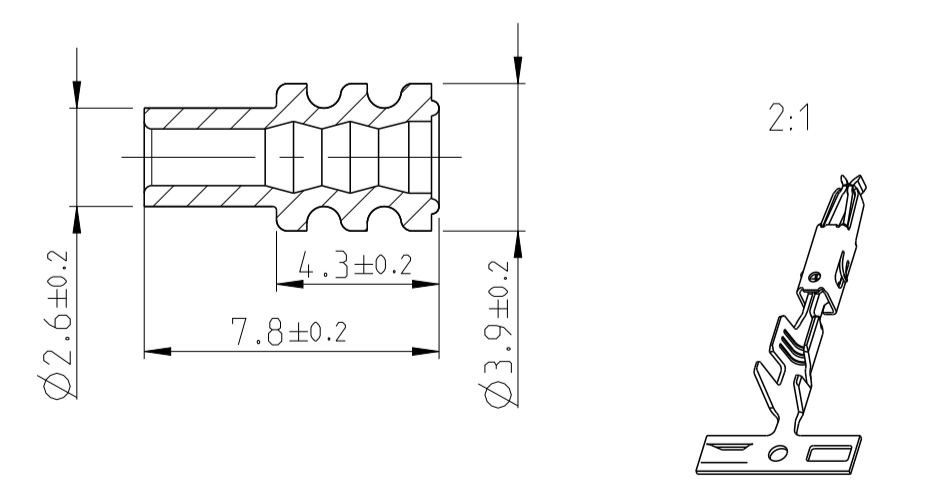
SINGLE WIRE SEAL/ Einzelichtungssystem	REV.	DESIGN Ausfuehrung	MATERIAL Oberflaeche	SURFACE Oberflaeche	WIRE RANGE Drahtgroessen Bereich [mm²]	INSULATION Isolations Ø [mm]	STRIP FORM WIRE CRIMP Drahtcrimp Iso.-Crimp Bandware	A	B	C	CRIMP DATA AND CRIMP TOOL Crimpdaten u. Crimpwerkzeuge	
												E
UNSCALED/ ungedichtet	4-964274-1	E	CuNiSi	PRETINNED vorverzinkt	0.5-1.0	1.4-2.1	E = 2.5 G = 2.7 D <sub>Dr</sub> = 1.2	H = 4.3 K = 4.8 D = 2.7	3.0	4.4	6.4	
	964274-8	A	CuFe 2	SILVER PLATED versilbert	0.35	1.2-1.3	E = 2.4 G = 2.3 D <sub>Dr</sub> = 1.0	H = 4.3 K = 4.8 D = 2.6	2.5	4.4	6.4	
	964274-3	E	CuSn 4	PRETINNED vorverzinkt								
	964274-2	E	CuFe 2	SILVER PLATED versilbert								
	2141902-8	A	6	CuFe 2	SILVER PLATED versilbert	0.2-0.5	1.15-1.6	E = 2.1 G = 2.1 D <sub>Dr</sub> = 0.8	H = 4.3 K = 4.8 D = 2.6	2.5	4.4	6.4
	2141902-3	A	CuSn 4	PRETINNED vorverzinkt								
	2141902-2	A	CuFe 2	PRETINNED vorverzinkt								
	4-969005-1	F	7	CuNiSi	PRETINNED vorverzinkt	1.5	2.2-2.4	E = 2.8 G = 3.0 D <sub>Dr</sub> = 1.4	H = 3.5 K = 3.9 D = 1.9	3.0	4.4	6.4
	969005-3	F	CuSn 4	PRETINNED vorverzinkt								
969005-2	F	CuFe 2	PRETINNED vorverzinkt									
1241844-2	A	1	CuFe 2	PRETINNED vorverzinkt	0.5-1.0	1.4-2.1	E = 2.5 G = 2.7 D <sub>Dr</sub> = 1.2	H = 3.7 K = 3.9 D = 1.8	3.0	4.6	6.2	
964348-2	C	4	CuFe 2	PRETINNED vorverzinkt								
964263-3	D	1	CuSn 4	PRETINNED vorverzinkt								
964263-2	D	1	CuFe 2	PRETINNED vorverzinkt	0.35	1.2-1.3	E = 2.4 G = 2.3 D <sub>Dr</sub> = 1.0	H = 2.9 K = 2.9 D = 1.4	2.5	4.4	6.4	
2141900-3	A	2	CuSn 4	PRETINNED vorverzinkt								
2141900-2	A	2	CuFe 2	PRETINNED vorverzinkt								
4-964261-1	D	3	CuNiSi	PRETINNED vorverzinkt	0.2-0.5	1.15-1.6	E = 2.1 G = 2.1 D <sub>Dr</sub> = 0.8	H = 2.9 K = 2.9 D = 1.4	2.5	4.4	6.4	
964261-3	D	3	CuSn 4	PRETINNED vorverzinkt								
964261-2	D	3	CuFe 2	PRETINNED vorverzinkt								

SEE APPLICATION - SPECIFICATION  
siehe Verarbeitungsspezifikation  
114-18081

NOTES  
Bemerkungen

- 1 BODY ELECTRO TIN PLATED OVER NICKEL 0.2 µm min.  
Kontaktkoerper gal. verzinkt ueber Nickel 0.2 µm min.  
CONTACT AREA SELECTIV GOLD OVER NICKEL 0.8 µm min.  
Kontaktzone selectiv vergoldet ueber Nickel 0.8 µm min.  
WIRE CRIMP AREA ELECTRO TIN PLATED OVER NICKEL 1 µm min.  
Drahtcrimpbereich gal. verzinkt ueber Nickel 1 µm min.
- 2 FOR DOUBLE- AND SINGLE TERMINATION  
Fuer Doppel- und Einzelanschlaege
- 3 ACCORDING TO INSULATION DIA IS TO CHOOSE THE SINGLE WIRE SEAL  
Entsprechend dem Isolationsdurchmesser ist die Einzel-Dichtung auszuwaehlen
- 4 BODY ELECTRO TIN PLATED OVER NICKEL 0.2µm min.  
Kontaktkoerper gal. verzinkt ueber Nickel 0.2µm min.  
CONTACT AREA SELECTIV GOLD OVER NICKEL 0.8µm min.  
Kontaktzone selectiv vergoldet ueber Nickel 0.8µm min.  
WIRE CRIMP AREA ELECTRO TIN PLATED 1µm min.  
Drahtcrimpbereich gal. verzinkt
- 5 SERRATIONS OVER THE WHOLE WIDTH OF THE WIRE CRIMP AREA  
Rillen ueber die ganze Breite des Drahtcrimpbereiches

SINGLE WIRE SEAL Einzel-Dichtung		
ORDER No. Bestell-Nr.	INSULATION Ø Isolations Ø	COLOUR Farbe
964972-1	1.9-2.1	YELLOW gelb
963530-1	1.4-1.9	GREY grau
964971-1	1.2-1.6	RED rot



THIS DRAWING IS A CONTROLLED DOCUMENT.

DIMENSIONS: mm	TOLERANCES UNLESS OTHERWISE SPECIFIED: ±0.2	DMN M. Preilschlitz	18AUG2000	TE Connectivity PRODUCT GROUP DRAWING FOR MICRO TIMER 2 CONTACT TYPE A Produkt-Gruppen-Zeichnung fuer Micro Timer II
MATERIAL	FINISH	CHK V. Huhn	16NOV2001	
APVD M. Bleicher	114-18081	APVD M. Bleicher	16NOV2001	NAME 108-18055 APPLICATION SPEC
Customer Drawing	SCALE 5:1	WEIGHT 0.3g	SIZE A1	RESTRICTED TO

Customer Drawing SCALE 5:1 SHEET 1 OF 1 REV B12

# Mouser Electronics

Authorized Distributor

Click to View Pricing, Inventory, Delivery & Lifecycle Information:

[TE Connectivity:](#)

[969005-2](#)