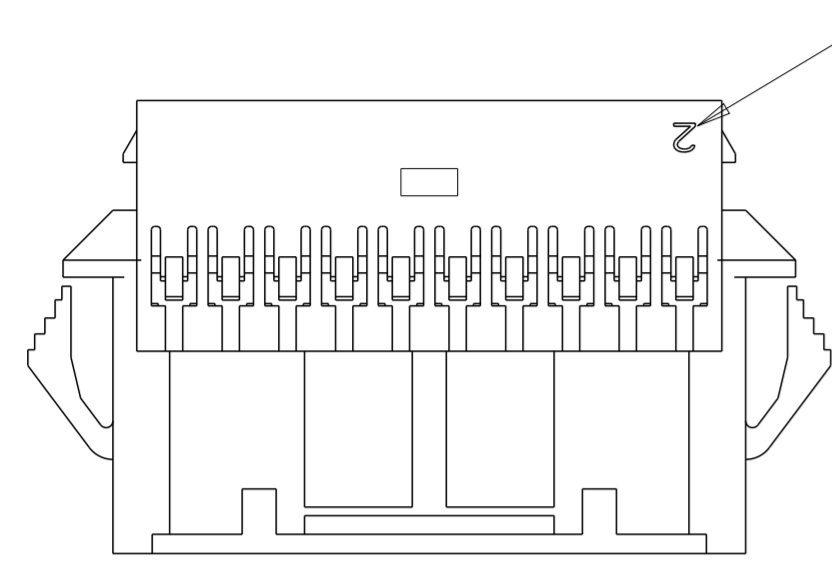


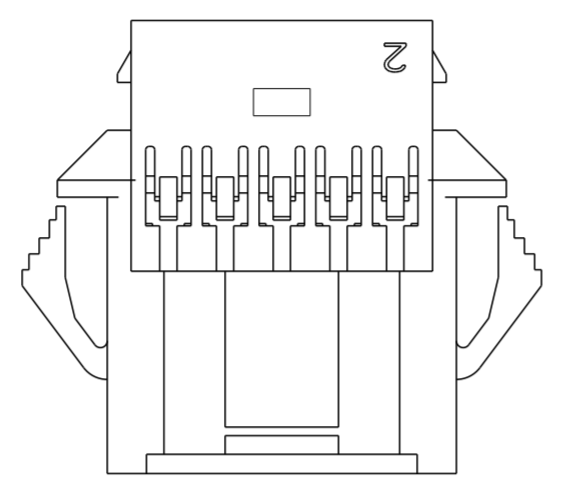
THIS DRAWING IS UNPUBLISHED. RELEASED FOR PUBLICATION 20  
 © COPYRIGHT 20 BY - ALL RIGHTS RESERVED.

LOC		DIST		REVISIONS			
P	LTR	DESCRIPTION		DATE	DWN	APVD	
	B	REVISED PER ECR-15-006219		30APR2015	NK	JR	

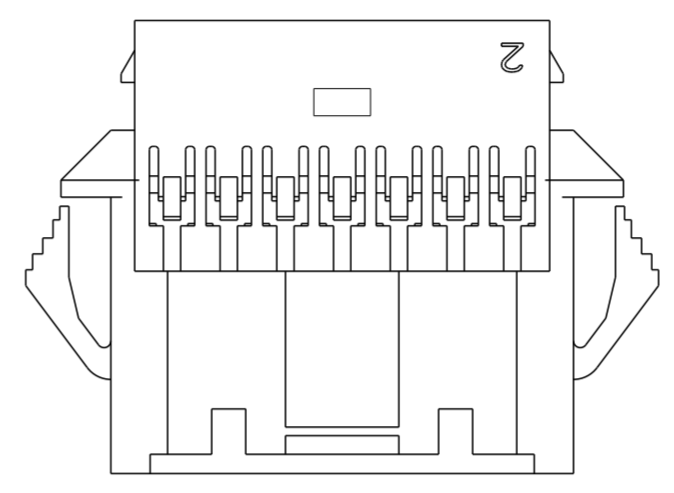
1. MATERIAL: NYLON UL94V-0, FLAME RETARDANT, COLOR: NATURAL
2. PARTS TESTED TO IEC 60695-2-11 AND IS COMPLIANT TO IEC 60335-1.
3. HOUSING, MATERIAL MEETS MINIMUM GLOW WIRE FLAMMABILITY INDEX OF 850°C PER IEC 60695-2-12 AND MINIMUM GLOW WIRE IGNITION TEMP OF 775°C PER IEC 60695-2-13.
4. ACCEPTS TE PIN CONTACTS P/N'S 2238007-( )
5. HOUSING ACCEPTS OPTIONAL TPA P/N'S 1969541-( )
6. MATES WITH TE PLUG HOUSINGS P/N'S 1969567-( )



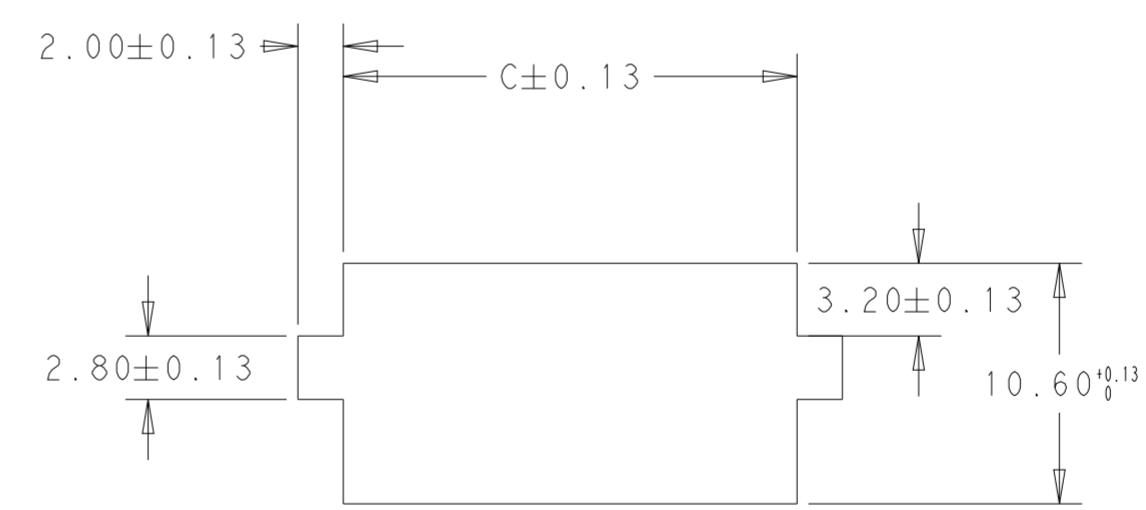
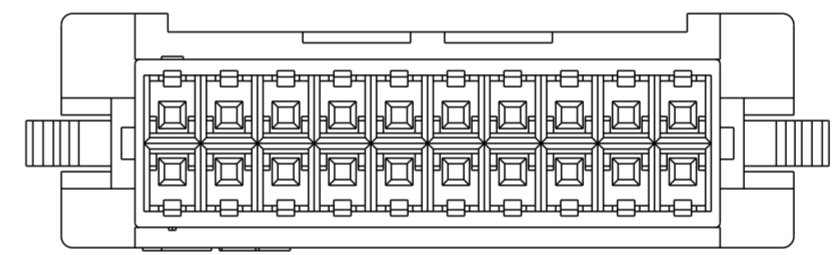
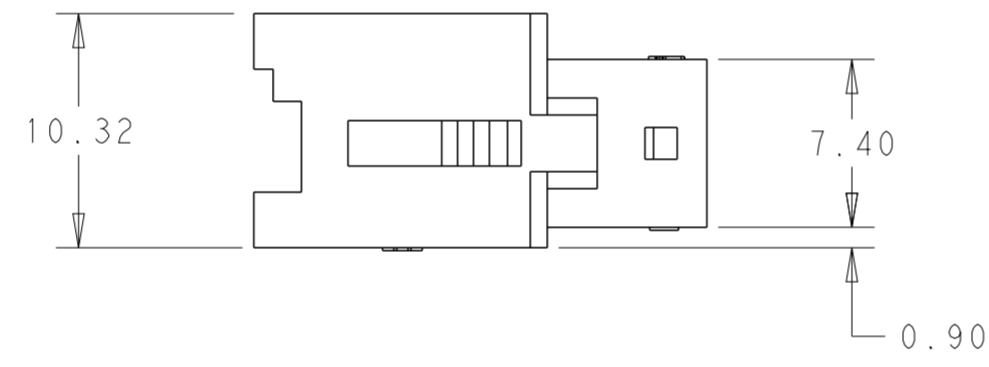
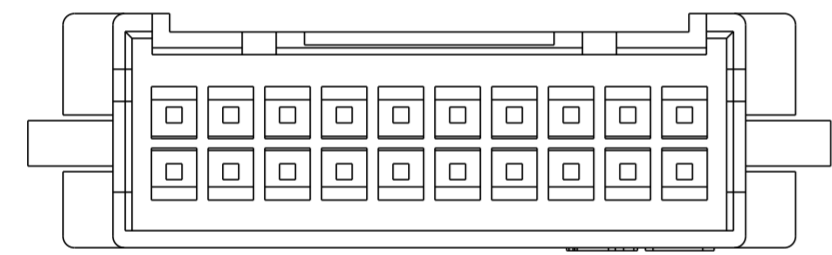
1-1969595-8 THROUGH 4-1969595-0  
DOUBLE LATCH



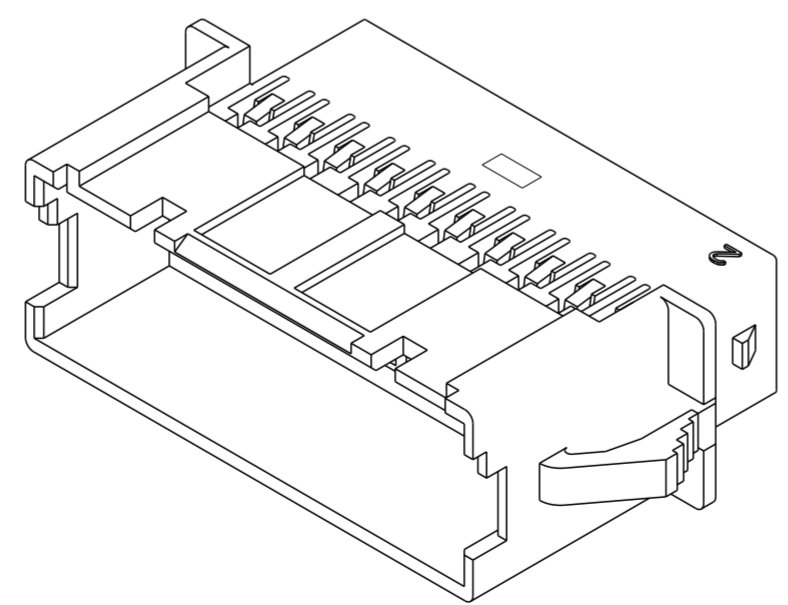
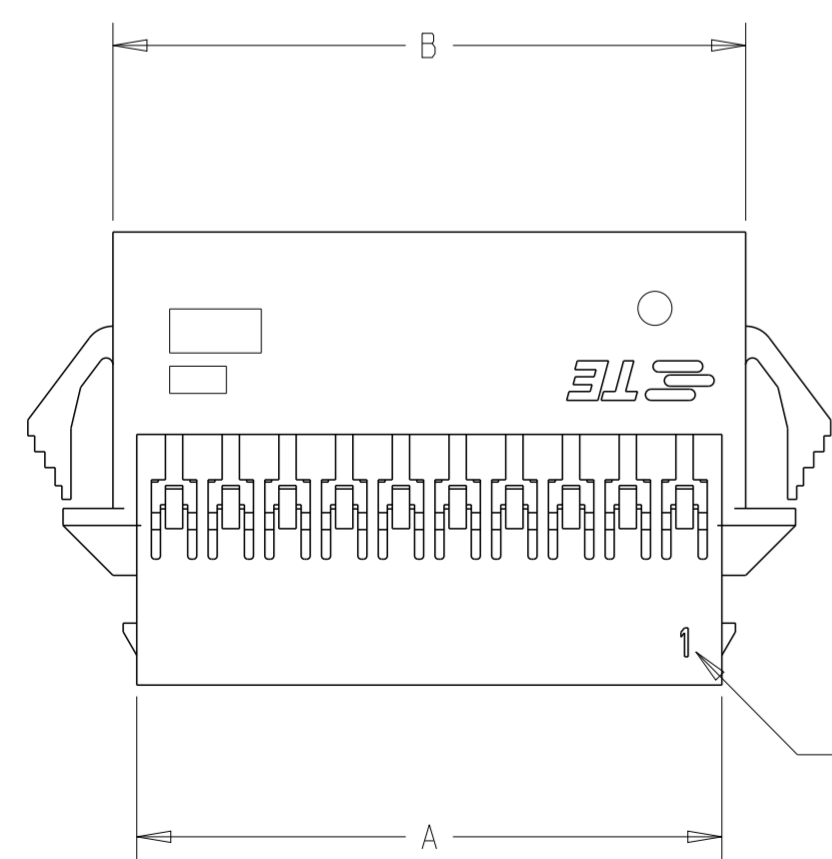
1969595-8 & 1-1969595-0  
SINGLE LATCH W/O CUTOUTS



1-1969595-2, 1-1969595-4 & 1-1969595-6  
SINGLE LATCH W/ CUTOUTS



RECOMMENDED PANEL CUTOUT DIMENSIONS



POS	DIM.C	DIM.B	DIM.A	PART NO.
40	54.50	52.89	50.79	4-1969595-0
38	52.00	50.39	48.29	3-1969595-8
36	49.50	47.89	45.79	3-1969595-6
34	47.00	45.39	43.29	3-1969595-4
32	44.50	42.89	40.79	3-1969595-2
30	42.00	40.39	38.29	3-1969595-0
28	39.50	37.89	35.79	2-1969595-8
26	37.00	35.39	33.29	2-1969595-6
24	34.50	32.89	30.79	2-1969595-4
22	32.00	30.39	28.29	2-1969595-2
20	29.50	27.89	25.79	2-1969595-0
18	27.00	25.39	23.29	1-1969595-8
16	24.50	22.89	20.79	1-1969595-6
14	22.00	20.39	18.29	1-1969595-4
12	19.50	17.89	15.79	1-1969595-2
10	17.00	15.39	13.29	1-1969595-0
8	14.50	12.89	10.79	1969595-8

THIS DRAWING IS A CONTROLLED DOCUMENT.		DWN	03OCT2012	
		CHK	A. NOEL	
		APVD		
DIMENSIONS:		PRODUCT SPEC		
mm		108-2418		
		APPLICATION SPEC		
		114-13315		
MATERIAL		WEIGHT		
SEE NOTES		Customer Drawing		
TOLERANCES UNLESS OTHERWISE SPECIFIED:		NAME		
0 PLC ±		EP 2.5 DUAL ROW, RECEPTACLE HSG		
1 PLC ±		WIRE TO WIRE, PANEL MOUNT		
2 PLC ±0.20		GLOW WIRE		
3 PLC ±		SIZE		
4 PLC ±		A200779		
ANGLES ±		CAGE CODE		
FINISH ±		G-1969595		
		DRAWING NO		
		RESTRICTED TO		
		SCALE 3:1		
		SHEET 1 OF 1		
		REV B		

# Mouser Electronics

Authorized Distributor

Click to View Pricing, Inventory, Delivery & Lifecycle Information:

[TE Connectivity:](#)

[1969595-8](#)