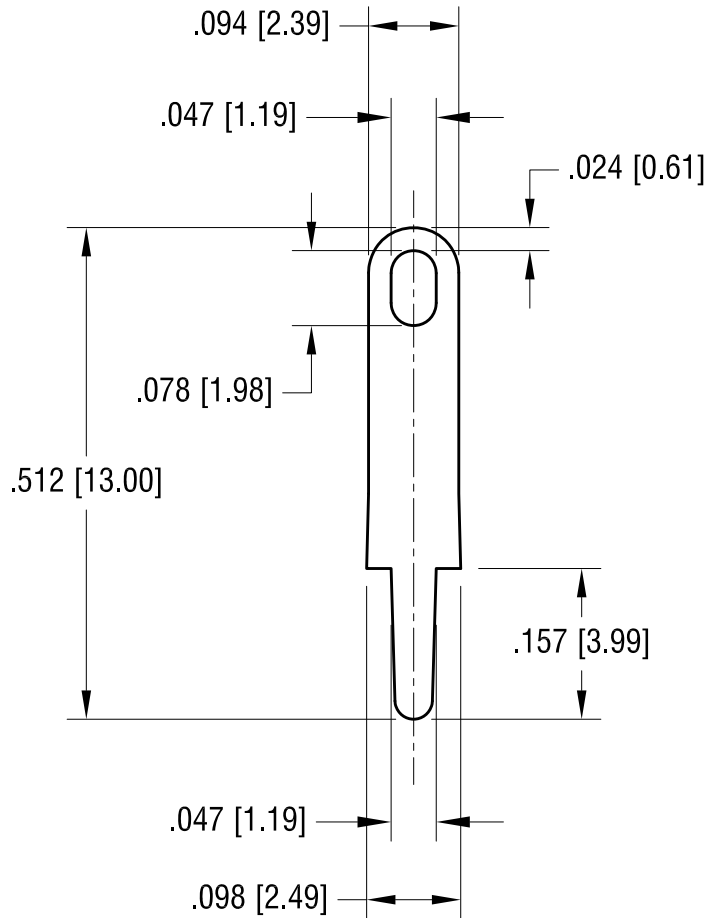


THIS DOCUMENT IS THE PROPERTY OF  
KEYSTONE ELECTRONICS CORP. AND  
SHALL NOT BE REPRODUCED, DISTRIBUTED  
OR USED AS A BASIS FOR MANUFACTURE  
WITHOUT PRIOR WRITTEN PERMISSION  
FROM KEYSTONE ELECTRONICS CORP.



**KEYSTONE ELECTRONICS CORP.**

www.keyelco.com • ASTORIA, N.Y. 11105-2017 • Tel (718) 956-8900

PART NAME  
**PC TEST POINT TERMINAL**

MATERIAL  
**.020 [0.50] TH'K BRASS**

FINISH <b>MATTE TIN PLATE</b>	DRN BY <b>BOONE</b>	DATE <b>9.18.97</b>
	APP'D	SCALE <b>5X</b>

TOLERANCES DECIMAL ANGULAR	INCH [MM] <b>± .005 [± 0.15]</b> <b>± 1°</b>	CODE <b>C</b>	DWG NO. <b>4953</b>
UNLESS OTHERWISE SPECIFIED			

12.01.09	CHANGE AS PER ECN 09-177	B
9.14.07	CHANGE AS PER ECN 07-055	A
DATE	DESCRIPTION	REV.

# Mouser Electronics

Authorized Distributor

Click to View Pricing, Inventory, Delivery & Lifecycle Information:

[Keystone Electronics:](#)

[4953](#)