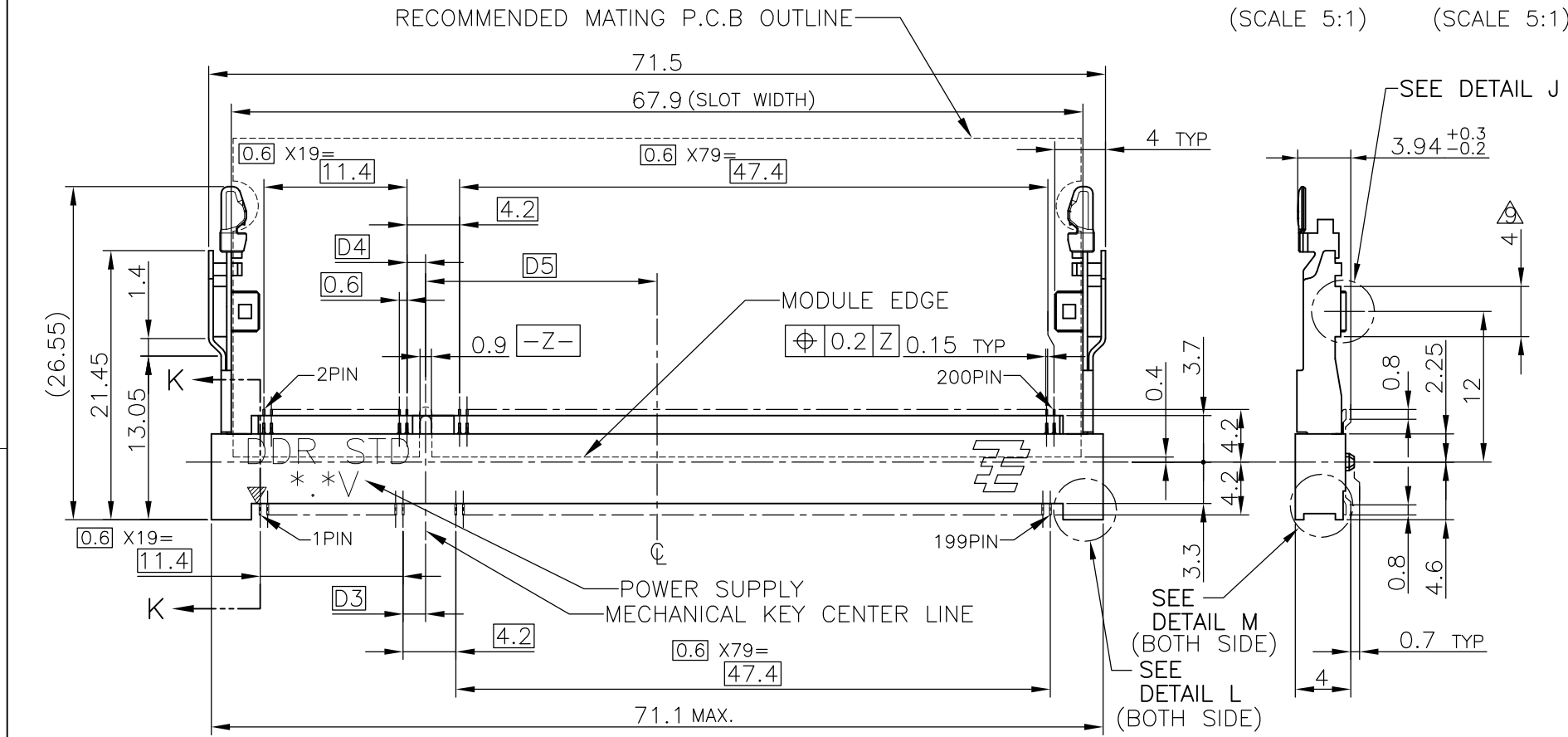
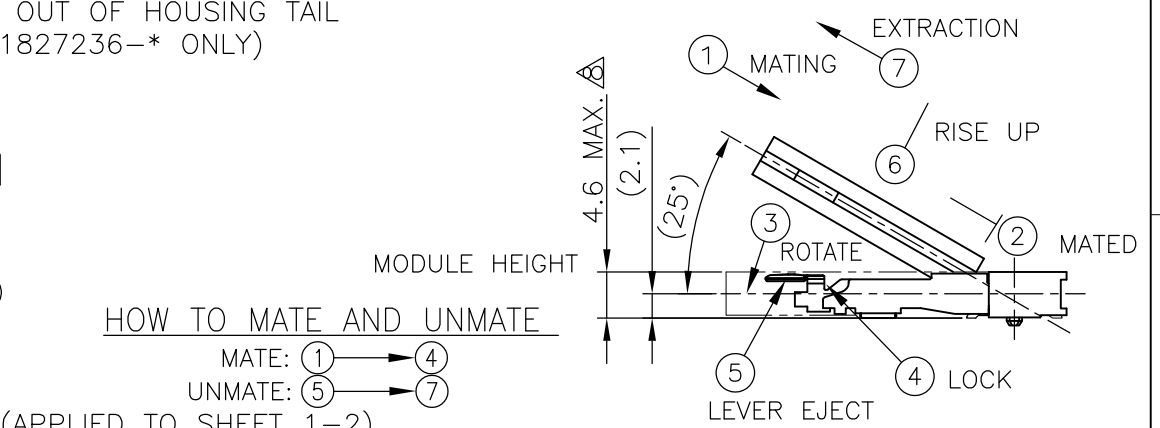
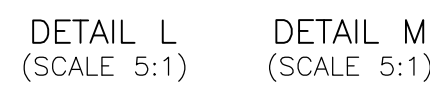
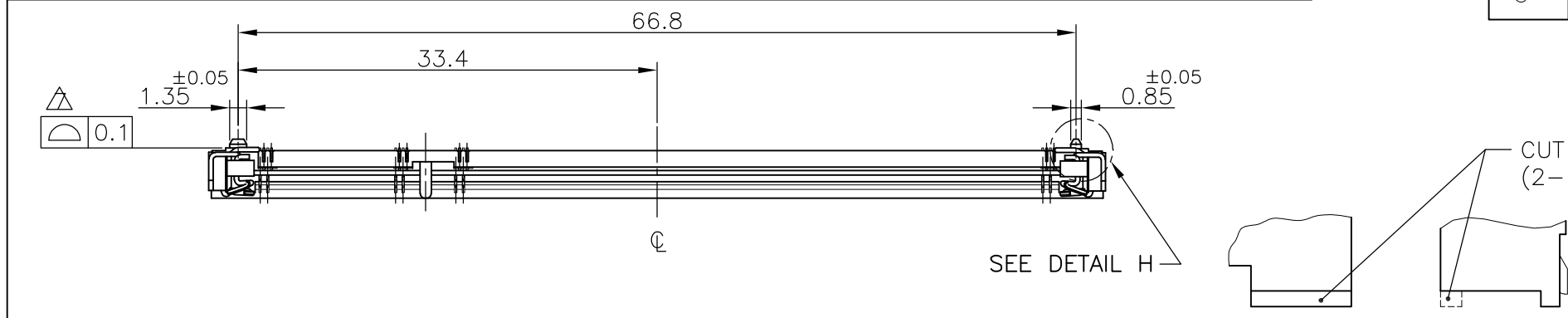
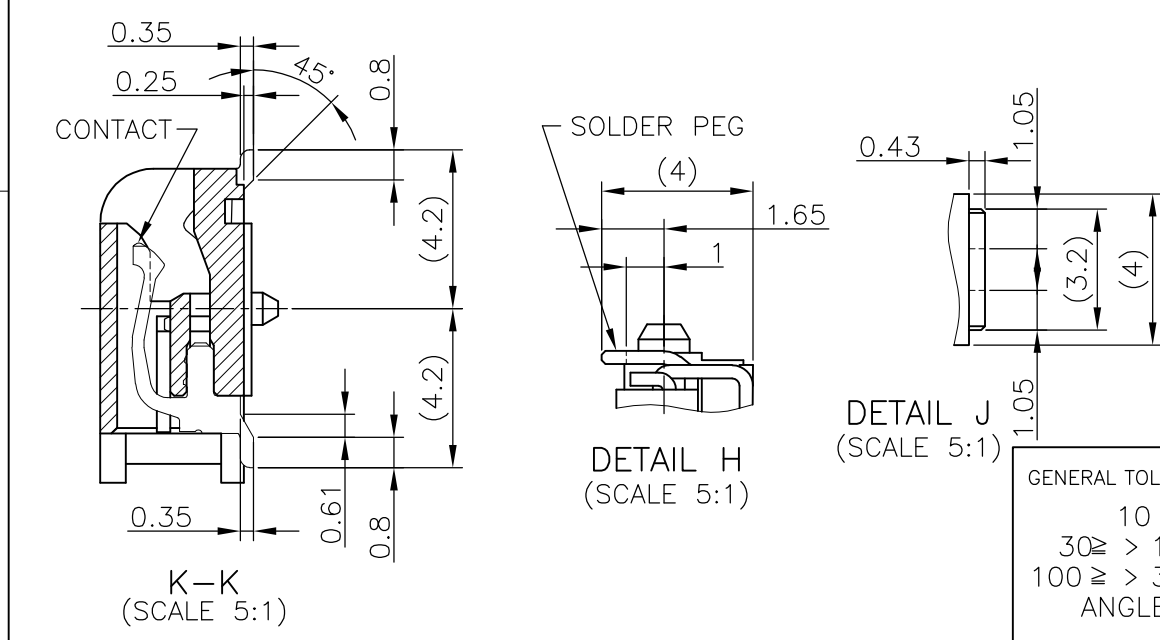


THIS DRAWING IS UNPUBLISHED. RELEASED FOR PUBLICATION NOV. 2004.
 © COPYRIGHT 2004 By -- ALL RIGHTS RESERVED.

LOC	DIST	REVISIONS			
P	LTR	DESCRIPTION	DATE	DWN	APVD
J		R2	REVISED PER ECO-11-005033	26MAR11	RK HMR



1. MATERIAL ; HOUSING: HIGH TEMPERATURE THERMO PLASTIC UL94V-0
 CONTACT: COPPER ARROY
 LOCK LEVER: STAINLESS STEEL
 △ FINISH ; CONTACT AREA: GOLD FLASH ON 0.0013MIN ALL OVER NICKEL.
 SOLDERING AREA: GOLD FLASH PLATING.
 LOCK LEVER: TIN PLATING.
 △ MECHANICAL KEY POSITION OF CONNECTOR SEE TABLE.
 △ TOLERANCES NON-CUMULATIVE.
 △ NOT TO SCALE.
 △ INSIDE MUST BE RESIST COAT EXCEPT SOLDER PATTERN.
 △ COPLANARITY : 0.1 MAX.
 △ THE FLOATING VALUE BY SOLDERING IS NOT INCLUDED.
 △ NOT MATING CONDITION.
 10 IF THE MODULE DOESN'T INSERT AND LOCK IN THE LATCH SMOOTHLY,
 OPEN WIDE BOTH LATCHES BY MANUAL. AND THE MODULE MUST BE
 INSERTED AND LOCKED IN THE LATCH.
 △ FINISH ; CONTACT AREA: GOLD 0.00076MIN PLATING ON 0.0013MIN ALL
 OVER NICKEL.
 SOLDERING AREA: GOLD FLASH PLATING.
 LOCK LEVER: TIN PLATING.



FINISH	TOOLING STATUS	REMARK	POWER SUPPLY	D5	D4	D3	POS	PART NO.
△	AVAILABLE	POROSITY SEALING	1.8V (DDR2)	17.55	2.4	2.7	200	1827236-6
△	AVAILABLE	CUT OUT OF POROSITY SEALING	1.8V (DDR2)	17.55	2.4	2.7	200	3-1827236-4
△	AVAILABLE	CUT OUT OF HOUSING TAIL	1.8V (DDR2)	17.55	2.4	2.7	200	2-1827236-4
△	AVAILABLE	BOSSLESS	1.8V (DDR2)	17.55	2.4	2.7	200	1-1827236-4
△	AVAILABLE	---	1.8V (DDR2)	17.55	2.4	2.7	200	1827236-4
---	NOT AVAILABLE	---	2.5V (DDR1)	18.45	1.5	1.8	200	-

THIS DRAWING IS A CONTROLLED DOCUMENT.

DWN	B.WONG	20JUL10
CHK	C.WANG	20JUL10
APVD	S.YAO	20JUL10

PRODUCT SPEC: 108-5701
 APPLICATION SPEC

STE TE Connectivity

NAME: DDR1 & DDR2 SODIMM SOCKET 0.6mm PITCH
 200POS LOW PROFILE STANDARD TYPE
 (LATCH DIRECT SOLDERING TYPE)

SIZE	CAGE CODE	DRAWING NO	RESTRICTED TO
A3	00779	C-1827236	

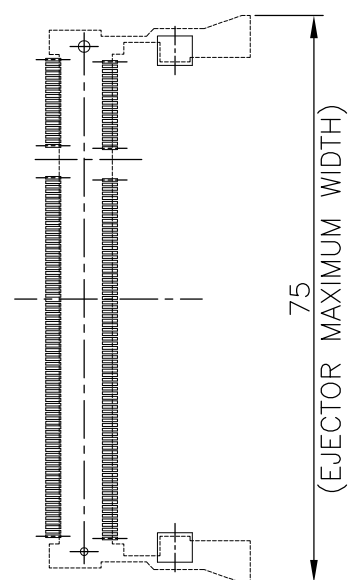
WEIGHT: 3.2 g

CUSTOMER DRAWING

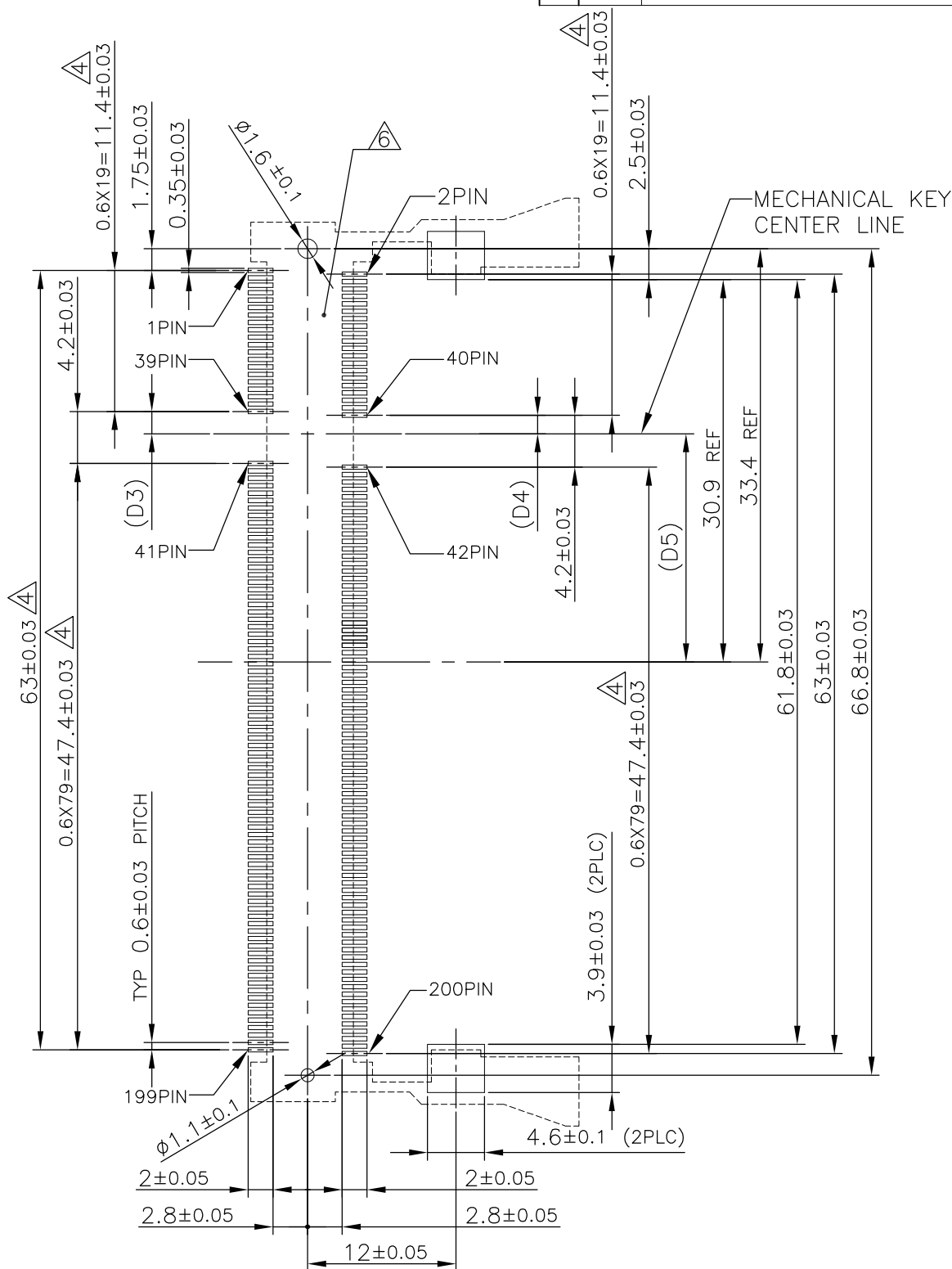
SCALE: 2:1 SHEET: 1 OF 4 REV: R2

LOC	DIST	REVISIONS		
J		P	LTR	DESCRIPTION
		-	-	SEE SHEET 1
				DATE
				DWN
				APVD

REFERENCE P.C. BOARD PATTERN LAYOUT (CONNECTOR MOUNTING SIDE)



REAL SIZE (SCALE 1:1)

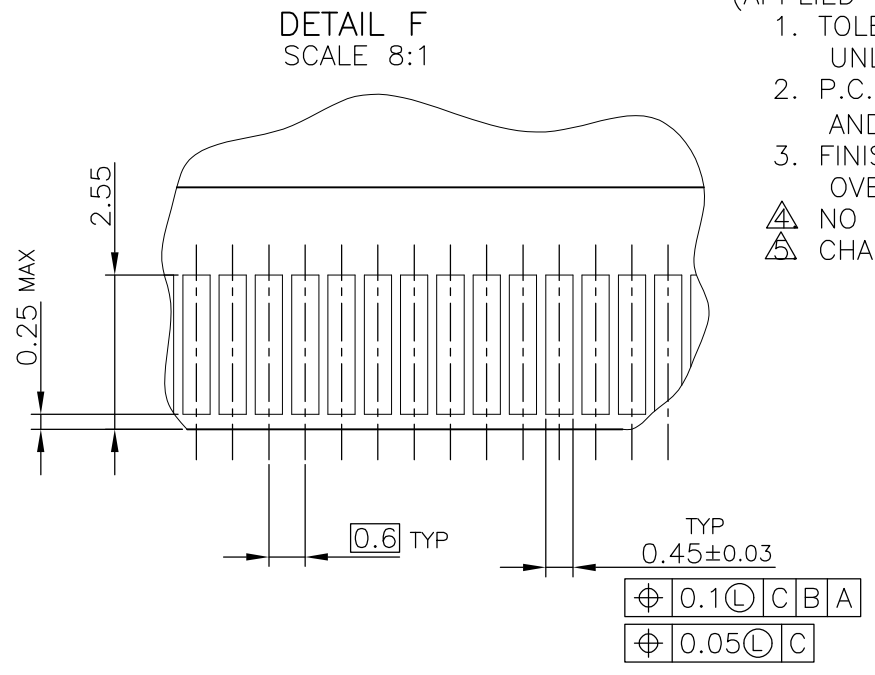
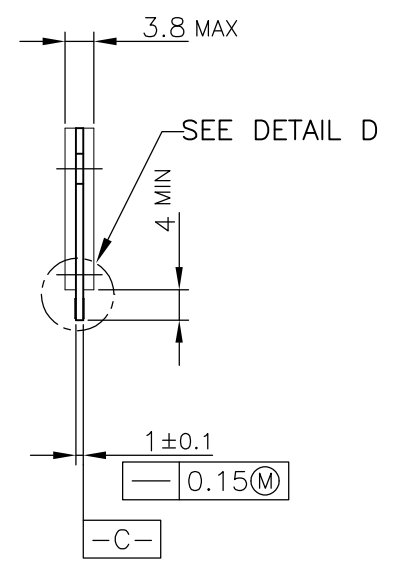
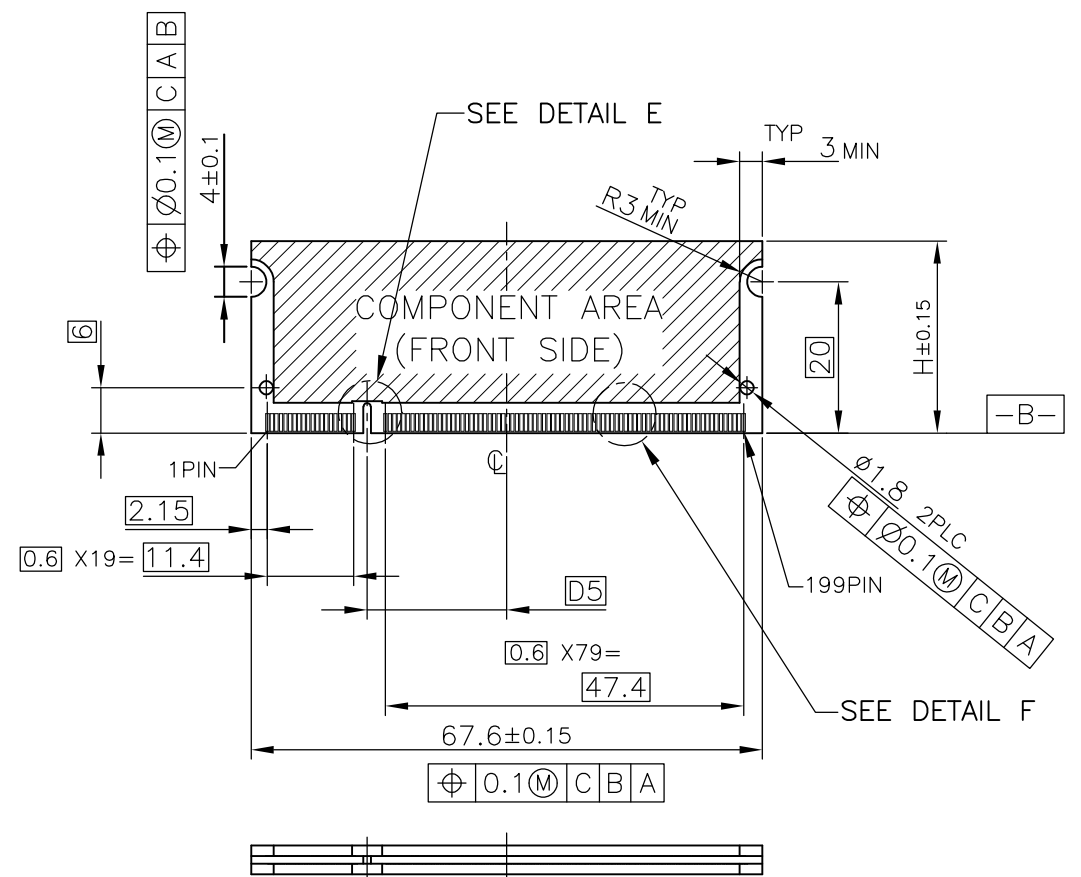


1.8V	17.55	2.4	2.7
2.5V	18.45	1.5	1.8
POWER SUPPLY	D5	D4	D3

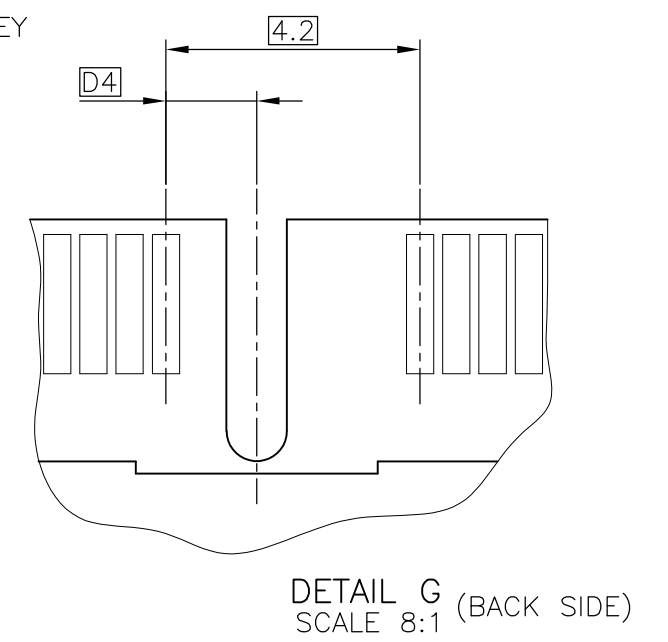
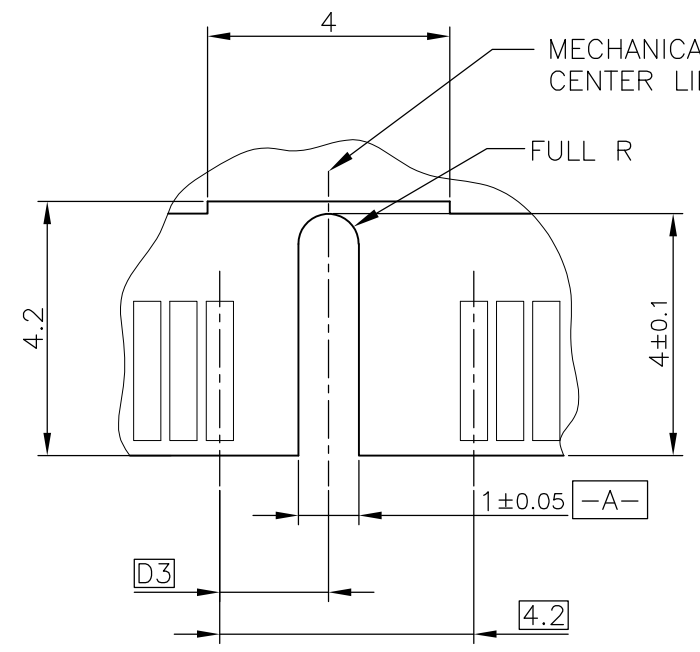
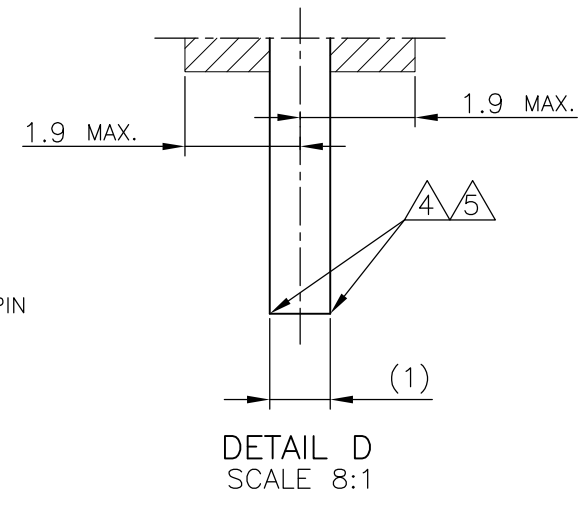
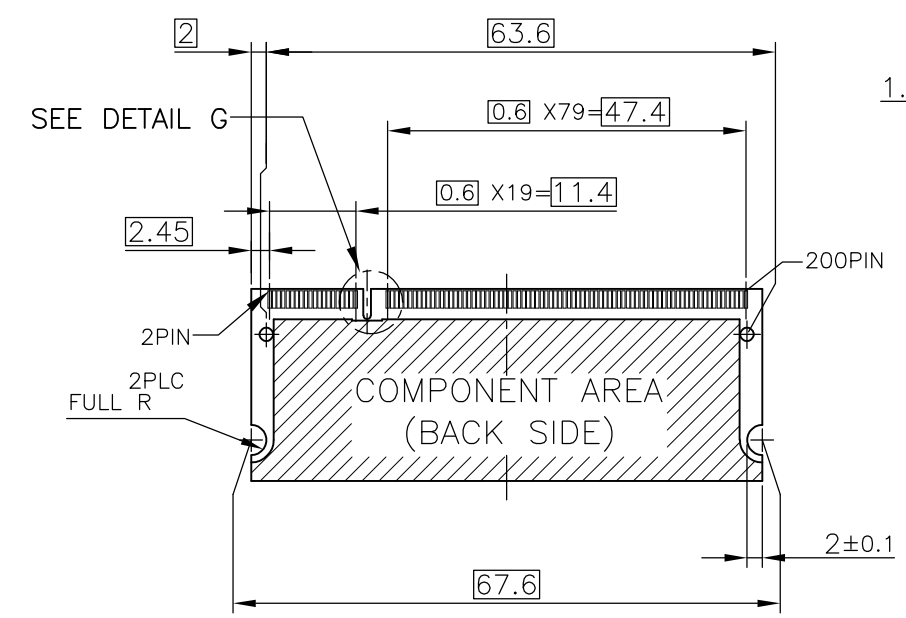
THIS DRAWING IS A CONTROLLED DOCUMENT.		DWN	STE TE Connectivity	
DIMENSIONS: MM		CHK		
TOLERANCES UNLESS OTHERWISE SPECIFIED:		APVD	NAME	
0 PLC ±		PRODUCT SPEC	DDR1 & DDR2 SODIMM SOCKET 0.6mm PITCH	
1 PLC ±		APPLICATION SPEC	200POS LOW PROFILE STANDARD TYPE	
2 PLC ±		WEIGHT	SIZE	CAGE CODE
3 PLC ±		CUSTOMER DRAWING	A3	00779
4 PLC ±			DRAWING NO	C-1827236
ANGLES ±		RESTRICTED TO		
FINISH		SCALE	SHEET	REV
		2:1	2 OF 4	R2

THIS DRAWING IS UNPUBLISHED. RELEASED FOR PUBLICATION NOV. 2004. ALL RIGHTS RESERVED.

LOC	DIST	REVISIONS					
J		P	LTR	DESCRIPTION	DATE	DWN	APVD
		-		SEE SHEET 1	-	-	-



- (APPLIED TO SHEET 3)
1. TOLERANCES ON ALL DIMENSIONS ±0.15 UNLESS OTHERWISE SPECIFIED.
 2. P.C.BOARD THICKNESS APPLIES ACROSS TABS AND INCLUDES PLATING AND/OR METALIZATION.
 3. FINISH OF PAD : GOLD PLATING 0.00076 MIN. OVER Ni PLATING 0.002MIN.
- △ NO BURR
 ▽ CHAMFER 0.25 MAX x 45° IF EXIST.



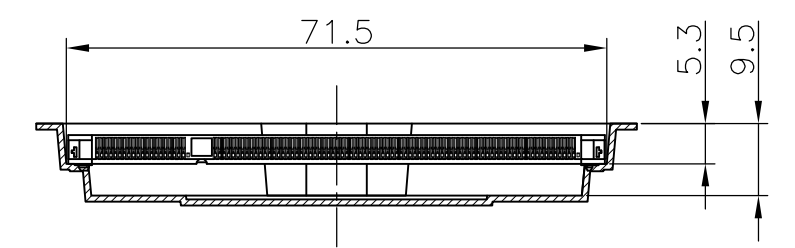
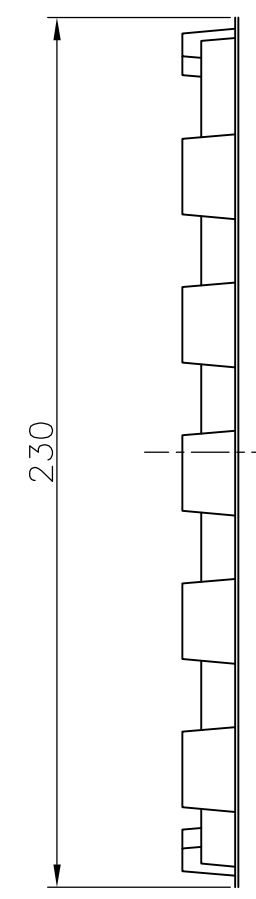
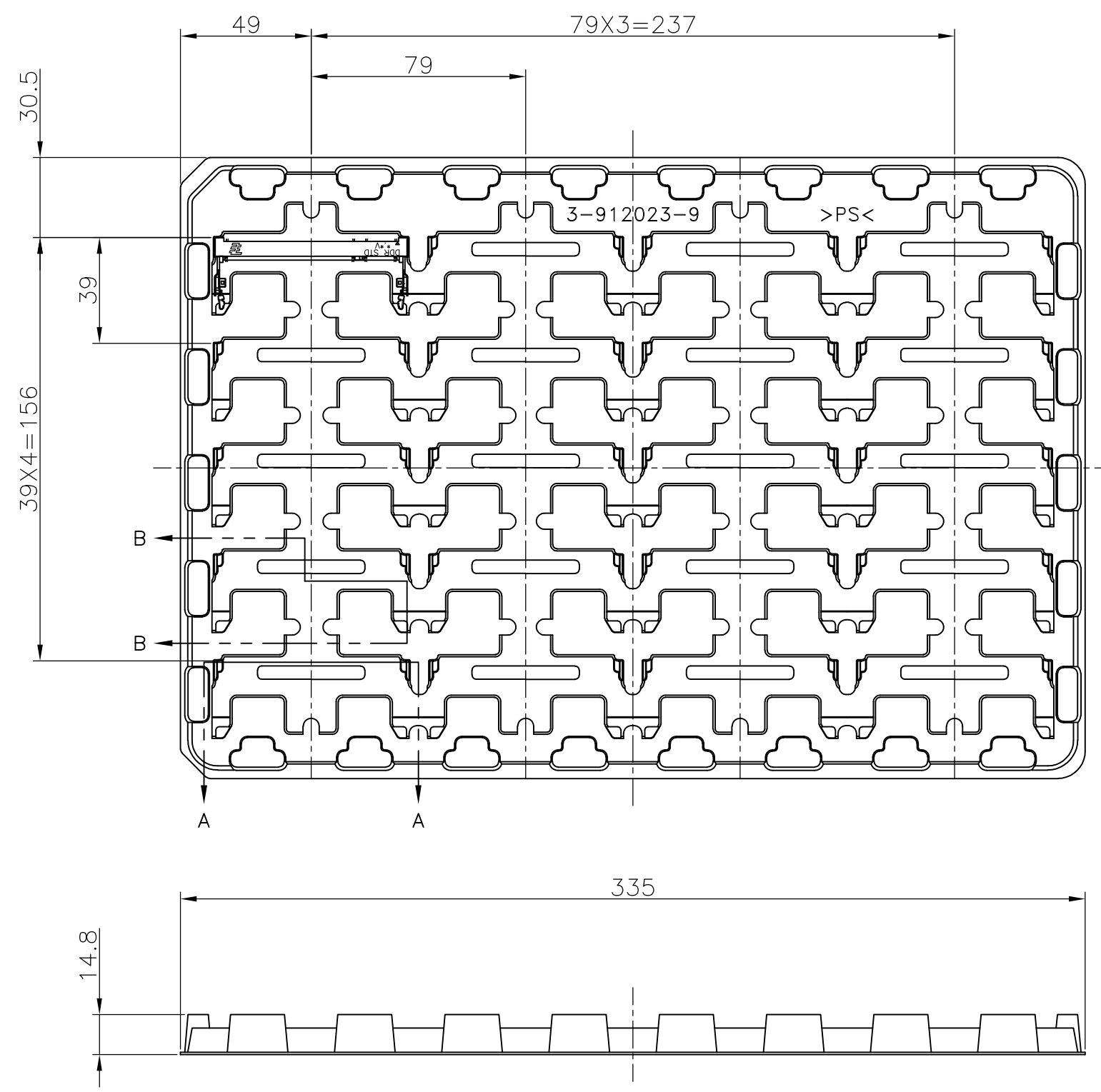
RECOMMENDED MATING P.C.B CONFIGURATION

31.75	1.8V	17.55	2.4	2.7
25.4	2.5V	18.45	1.5	1.8
H	POWER SUPPLY	D5	D4	D3

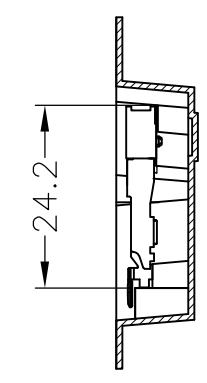
THIS DRAWING IS A CONTROLLED DOCUMENT.		DWN	TE Connectivity		
DIMENSIONS: MM		CHK			
TOLERANCES UNLESS OTHERWISE SPECIFIED:		APVD			
0 PLC ± 1 PLC ± 2 PLC ± 3 PLC ± 4 PLC ± ANGLES ± MATERIAL FINISH		PRODUCT SPEC			
NAME		APPLICATION SPEC	DDDR1 & DDR2 SODIMM SOCKET 0.6mm PITCH 200POS LOW PROFILE STANDARD TYPE (LATCH DIRECT SOLDERING TYPE)		
WEIGHT		SIZE	CAGE CODE	DRAWING NO	RESTRICTED TO
CUSTOMER DRAWING		A3	00779	C-1827236	
SCALE		2:1	SHEET		3 OF 4
REV		R2			

THIS DRAWING IS UNPUBLISHED. RELEASED FOR PUBLICATION NOV. 2004.
 © COPYRIGHT 2004 By - ALL RIGHTS RESERVED.

LOC	DIST	REVISIONS			
P	LTR	DESCRIPTION	DATE	DWN	APVD
J		SEE SHEET 1	-	-	-



A-A
SCALE 1:1
(180DEG. ROTATE)



B-B
SCALE 1:1

1. THE DIRECTION OF EACH CONNECTOR ON A TRAY IS REFERRED TO THIS DRAWING.
2. GENERAL TOLERANCE : ±0.5

AVAILABLE	20EA/TRAY	1827236-6
AVAILABLE	20EA/TRAY	3-1827236-4
AVAILABLE	20EA/TRAY	2-1827236-4
AVAILABLE	20EA/TRAY	1-1827236-4
AVAILABLE	20EA/TRAY	1827236-4
NOT AVAILABLE	20EA/TRAY	-
TOOLING STATUS	QTY	P/N

THIS DRAWING IS A CONTROLLED DOCUMENT.		DWN	TE Connectivity NAME SEMI-HARD TRAY ASSY DDR1 & DDR2 SODIMM SOCKET 200P LOW PROFILE STANDARD TYPE (LATCH DIRECT SOLDERING TYPE)			
DIMENSIONS: MM		CHK				
TOLERANCES UNLESS OTHERWISE SPECIFIED: 0 PLC ± 1 PLC ± 2 PLC ± 3 PLC ± 4 PLC ± ANGLES ± FINISH ±		APVD				
MATERIAL		PRODUCT SPEC				
		APPLICATION SPEC	SIZE	CAGE CODE	DRAWING NO	RESTRICTED TO
		WEIGHT	A3	00779	C-1827236	
CUSTOMER DRAWING			SCALE	SHEET	REV	
			1:2	4 OF 4	R2	

Mouser Electronics

Authorized Distributor

Click to View Pricing, Inventory, Delivery & Lifecycle Information:

[TE Connectivity:](#)

[1827236-4](#)