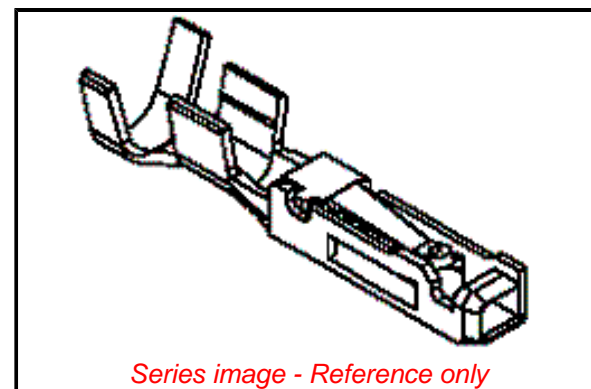


PLEASE CHECK WWW.MOLEX.COM FOR LATEST PART INFORMATION

Part Number: [5016471000](#)
Status: **Active**
Overview: iGrid Wire-to-Board Dual-Row System
Description: 2.00mm Pitch iGrid Wire-to-Board Crimp Terminal, Female, 22-26 AWG, Reel

Documents:

3D Model	Application Specification 5016460000-A01 (PDF)
Drawing (PDF)	Packaging Specification 5016479200-200 (PDF)
Product Specification PS-501646-001-001 (PDF)	RoHS Certificate of Compliance (PDF)
Application Specification 5016460000-A00 (PDF)	



General

Product Family	Crimp Terminals
Series	501647
Application	Signal
Crimp Quality Equipment	Yes
Overview	iGrid Wire-to-Board Dual-Row System
Packaging Alternative	501647-1100 (Loose)
Product Name	iGrid
UPC	822350087308

Physical

Durability (mating cycles max)	30
Gender	Female
Material - Metal	Copper Alloy
Material - Plating Mating	Tin
Net Weight	76.000/mg
Packaging Type	Reel
Termination Interface: Style	Crimp or Compression
Wire Insulation Diameter	0.95-1.50mm
Wire Size AWG	22, 24, 26
Wire Size mm ²	0.124-0.34

Electrical

Current - Maximum per Contact	2.0A
Voltage - Maximum	250V AC (RMS)/DC

Material Info

Reference - Drawing Numbers

Application Specification	5016460000-A00, 5016460000-A01
Crimp Specification	CS-501647-001-001
Packaging Specification	5016479200-200
Product Specification	PS-501646-001-001
Sales Drawing	SD-501647-001

EU ELV

Not Relevant

EU RoHS

Compliant

REACH SVHC

Not Contained Per
-ED/01/2018 (15
January 2018)

Halogen-Free

Status

Low-Halogen

Need more information on product environmental compliance?

Email productcompliance@molex.com
Please visit the [Contact Us](#) section for any non-product compliance questions.

China ROHS	Green Image
ELV	Not Relevant
RoHS Phthalates	Not Contained

Search Parts in this Series

[501647 Series](#)

Mates With

[501645 Vertical Header](#) . [501676 Right Angle Header](#)

Use With

[501646 Receptacle Housing](#)

Mouser Electronics

Authorized Distributor

Click to View Pricing, Inventory, Delivery & Lifecycle Information:

[Molex:](#)

[501647-1000](#) [501647-1000 \(Mouser Reel\)](#) [501647-1000 \(Cut Strip\)](#)