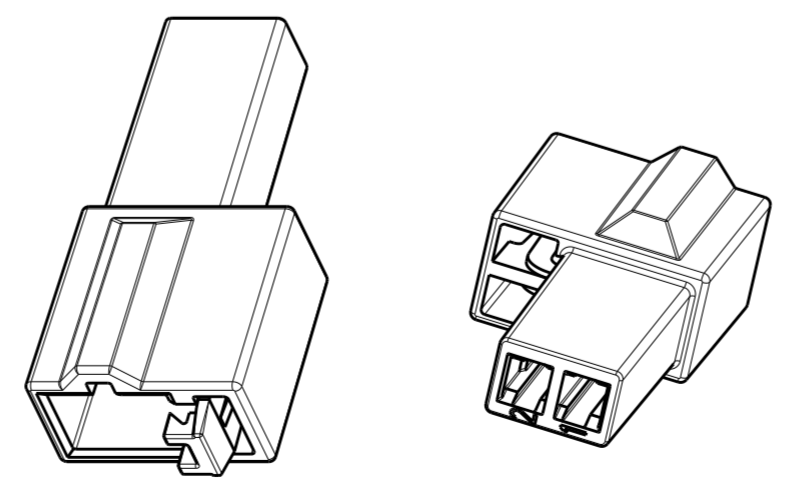
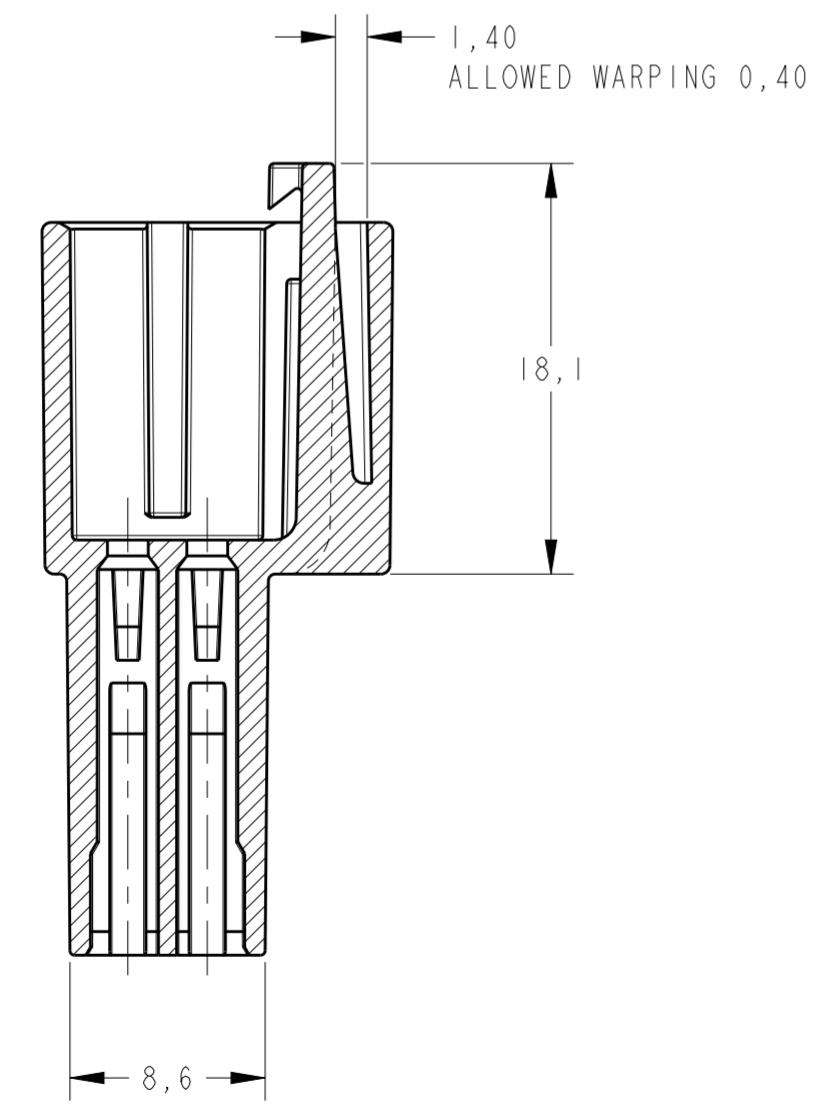
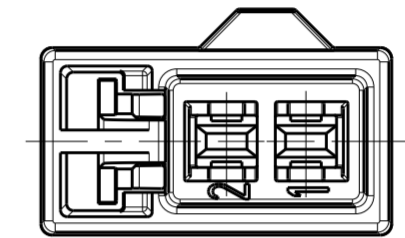
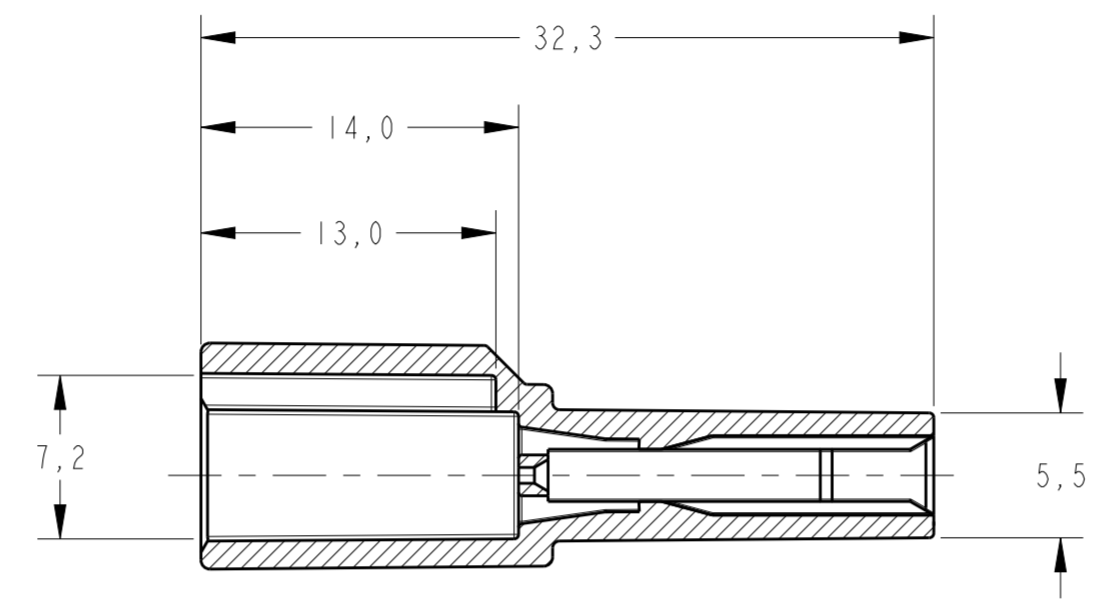
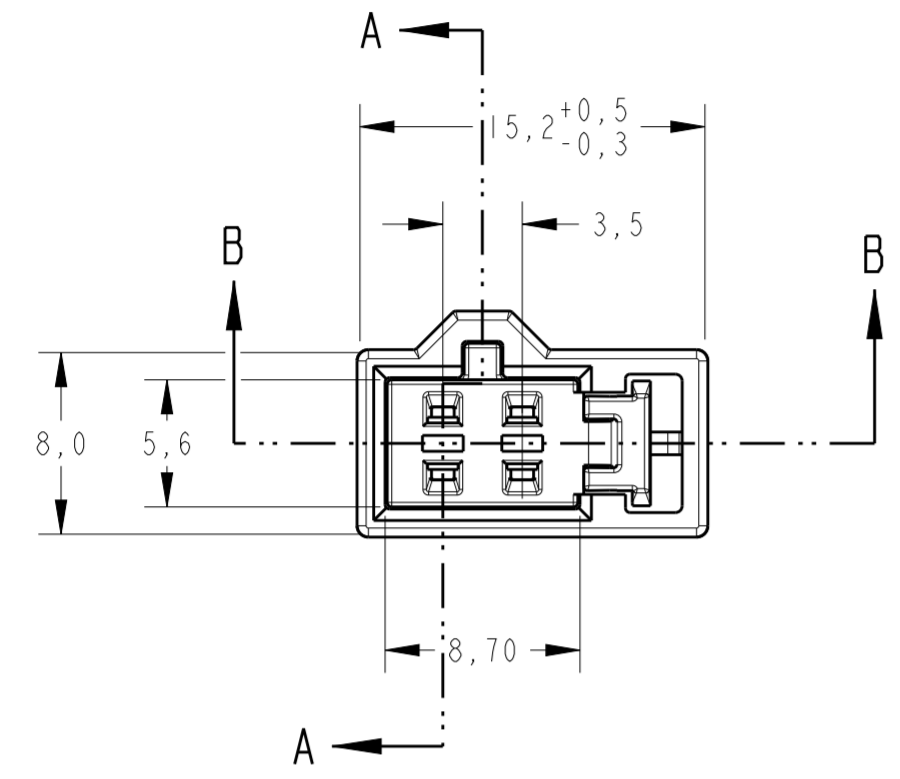


THIS DRAWING IS UNPUBLISHED. RELEASED FOR PUBLICATION
 © COPYRIGHT - ALL RIGHTS RESERVED.

LOC		DIST		REVISIONS			
P	LTR	DESCRIPTION	DATE	DWN	APVD		
AP	-						
D		REVISED DESIGN ECO-14-009317	24JUN2014	NCL	DAO		
D1		REVISED DRAWING ECO-14-014682	30SEP2014	NCL	DAO		
D2		REVISED DRAWING ECO-14-019131	05JAN2015	NCL	NMS		
D3		REVISED DRAWING ECO-16-006926	06MAY2016	NCL	NMS		

creo
 Creo Parametric 2.0
DO NOT REVISE EXCEPT BY CAD



GRAVAÇÃO MARKING
LOGOTIPO AMP AMP LOGO
CÓDIGO PAÍS PRODUTOR MANUFACTURER COUNTRY CODE
NOMENCLATURA MATERIAL MATERIAL NOMENCLATURE
NÚMERO COMPONENTE TE TE COMPONENT NUMBER
NÚMERO CAVIDADE CAVITY NUMBER
IDENTIFICAÇÃO CIRCUITO CIRCUIT IDENTIFICATION
LOGOTIPO VW VW LOGO
NÚMERO PEÇA CLIENTE CUSTOMER PART NUMBER

PRETO / BLACK FINISH	PA 6.6 MATERIAL	493224-1 PART NUMBER
HOUSING, 2 POSN., MICRO TIMER TAB. HOUSING, 2 POSN., MICRO TIMER TAB.		
SIZE: A2	CAGE CODE: 00779	DRAWING NO: C-493224
CUSTOMER DRAWING		SCALE: 3:1 SHEET 1 OF 1 REV: D3

THIS DRAWING IS A CONTROLLED DOCUMENT.	
DIMENSIONS: mm	TOLERANCES UNLESS OTHERWISE SPECIFIED:
0 PLC ±	1 PLC ±0,3
2 PLC ±0,2	3 PLC ±
4 PLC ±	ANGLES ±1°
MATERIAL: SEE TABLE	FINISH: SEE TABLE

Mouser Electronics

Authorized Distributor

Click to View Pricing, Inventory, Delivery & Lifecycle Information:

[TE Connectivity:](#)

[493224-1](#)