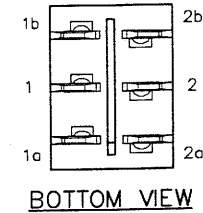
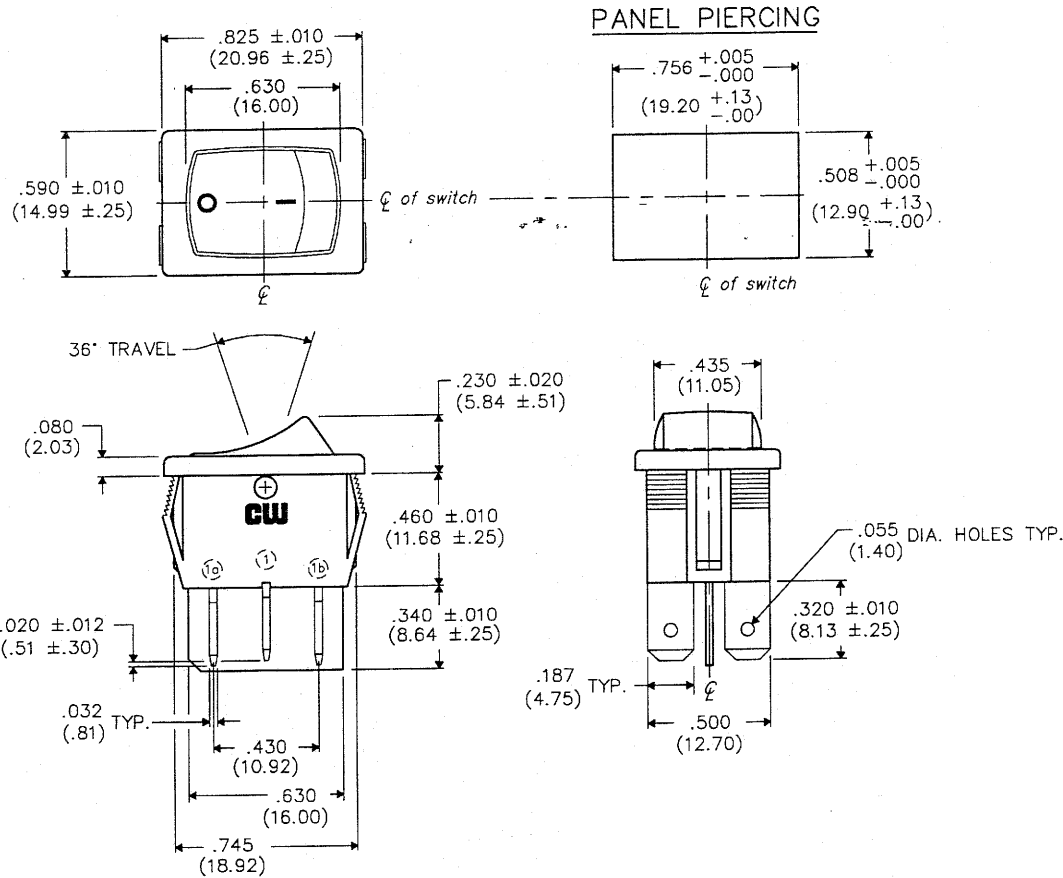


DIMENSIONS IN INCHES (MILLIMETERS)  
DO NOT SCALE DRAWING .....

Dwg. No.  
**GRS-4022-0013**



FORM-B (REV. 11-79)

REVISIONS

0  
 RELEASED  
 DGW 8-05-94  
 AUG 18 1994

**CW INDUSTRIES**  
 Southampton, Pa. 18966

Title: **ROCKER SWITCH ASSEMBLY (POP IN) D.P. - D.T.**

TOLERANCES UNLESS OTHERWISE SPECIFIED

2 Place decimal  $\pm .010$  METRIC  
 3 Place decimal  $\pm .005$  1 Place dec.  $\pm .25$ mm  
 Angles  $\pm 1^\circ$  2 Place dec.  $\pm .13$ mm

Made for: CW IND.

Division: **SWITCH**

Drawn by: DGW 8-05-94

Dwg. No.  
**GRS-4022-0013**

Checked by: *G. Gold 8-10-94*

Approval: *DKK 8-10-94*

# Mouser Electronics

Authorized Distributor

Click to View Pricing, Inventory, Delivery & Lifecycle Information:

[CW Industries:](#)

[GRS-4022-0013](#)