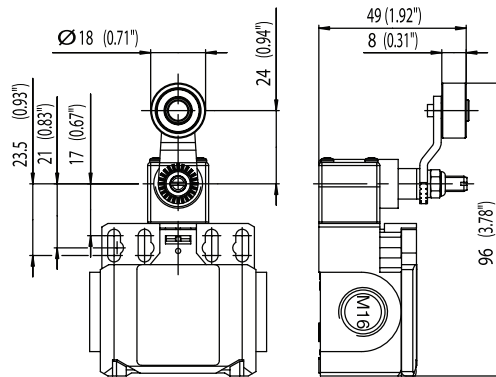
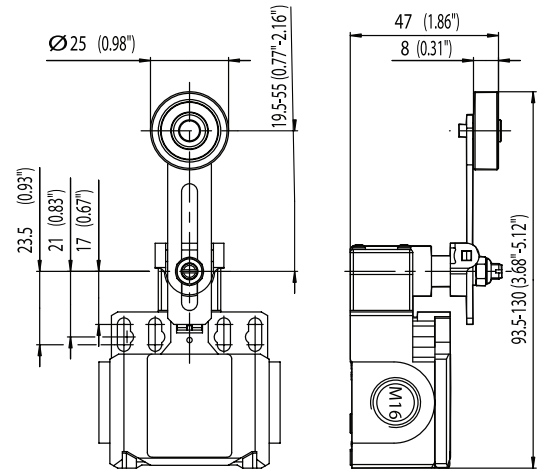


Bi2 Series

AH



AV

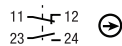


Switching Operation

1 NC / 1 NO Contacts

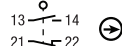
Slow Action

608.5135.104
BI2-U1Z AH



Snap Action

608.5185.111
BI2-SU1Z AH

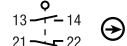


Slow Action

-

Snap Action

608.5186.112
BI2-SU1 AV



2 NC Contacts

-

-

-

-

2 NO Contacts

-

-

-

-

**1 NC / 1 NO Contacts
Overlapping**

-

-

-

-

Replacement actuator:

391.8351.166

391.8360.984

Technical Information

	Slow Action	Snap Action	Slow Action	Snap Action
Maximum Switching Voltage	240V	240V	240V	240V
Max. Switching Amps (up to)*	10A	10A	10A	10A
B10d (up to)*	20 Million	20 Million	20 Million	20 Million
Mechanical Service Life (up to)*	3 x 10 ⁶	10 x 10 ⁶	10 x 10 ⁶	10 x 10 ⁶
Switching Frequency	≤ 100/min	≤ 100/min	≤ 100/min	≤ 100/min
Operating Temperature	-30 °C to +80 °C	-30 °C to +80 °C	-30 °C to +80 °C	-30 °C to +80 °C
Protection Rating	IP65	IP65	IP65	IP65
Utilization Category (up to)*	AC-15, Ue/Ue 240V 3A	AC-15, Ue/Ue 240V 3A	AC-15, Ue/Ue 240V 3A	AC-15, Ue/Ue 240V 3A
Rate Insulation Voltage	400VAC	400VAC	400VAC	400VAC

Approvals

* Depending on switching system - see technical information for details



Special features/variants (on request)

- Available with different actuator directions
- With steel roller and different roller diameters
- Different lever lengths; straight or bent

Drawing dimensions in mm

Mouser Electronics

Authorized Distributor

Click to View Pricing, Inventory, Delivery & Lifecycle Information:

[Altech:](#)

[608.5186.112](#) [608.5185.111](#) [608.5135.104](#)