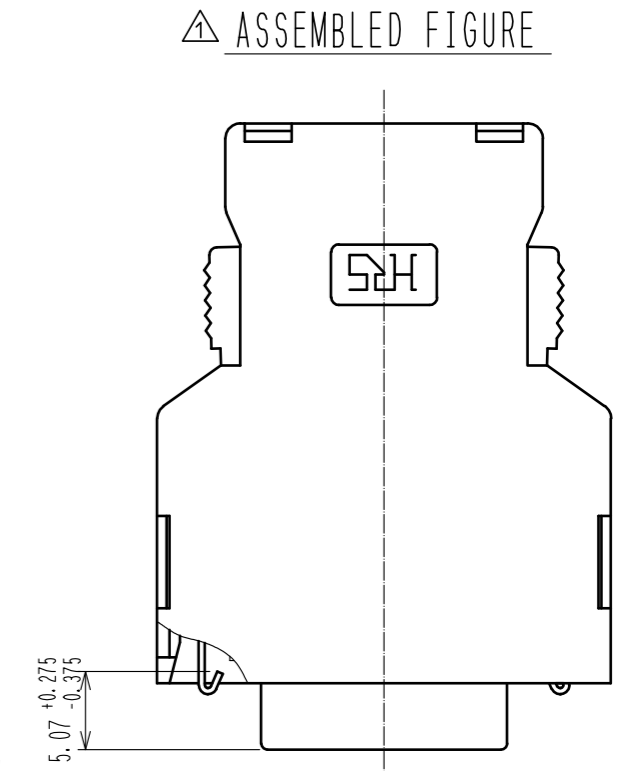
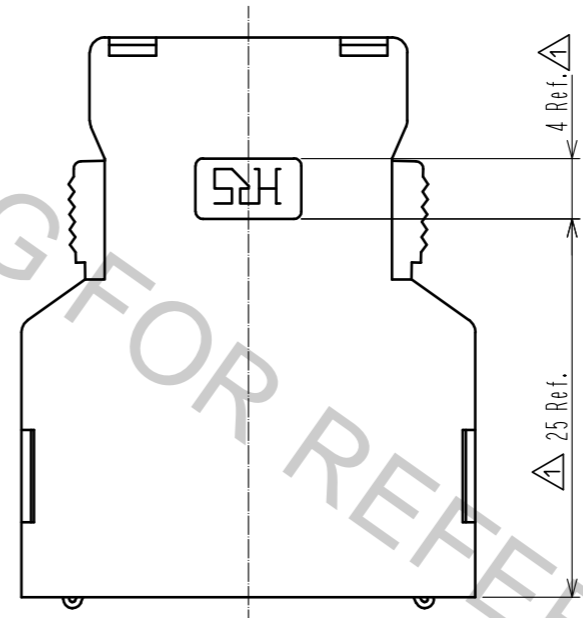
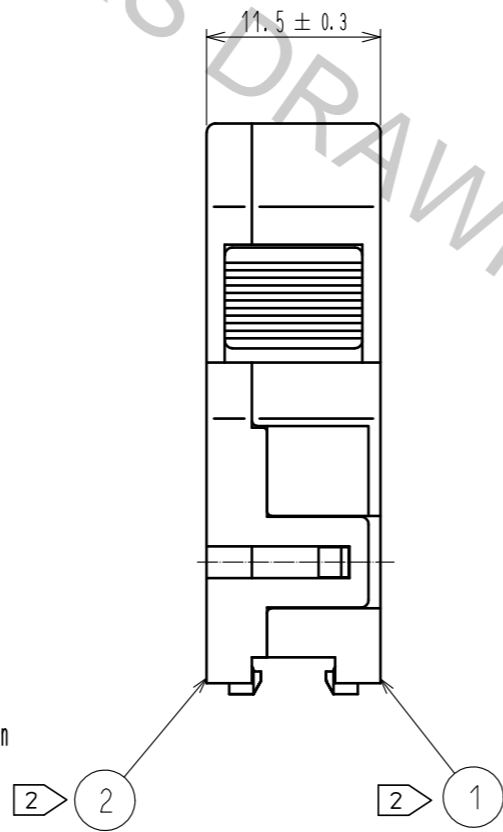
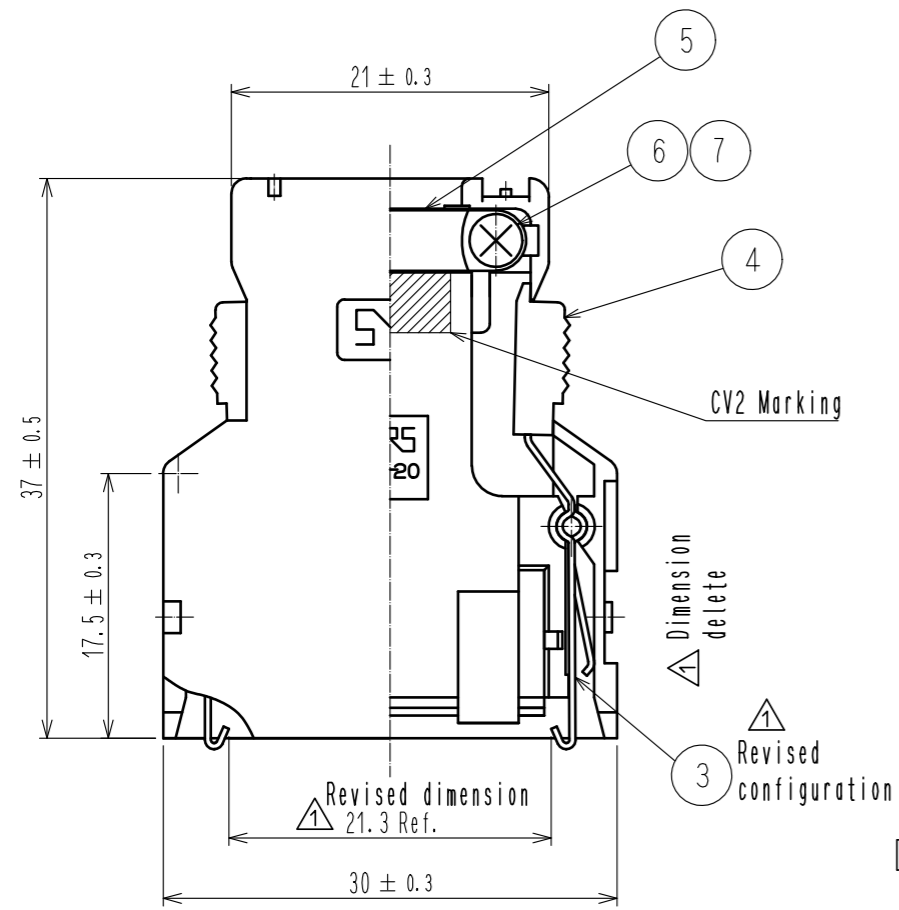
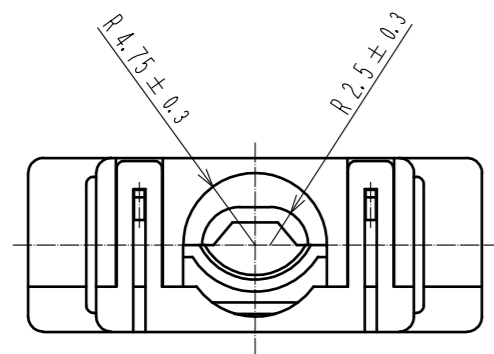


Dec.1.2018 Copyright 2018 HIROSE ELECTRIC CO., LTD. All Rights Reserved.
 In case that the application demands a high level of reliability, such as automotive,
 please contact a company representative for further information.



- △ Note 1. Outer surface of cover case part no. ① and ② are matte finished equivalent to TH-117 (Tanazawa hakkosha Co., Ltd.). Except around the ditch of HRS mark.
- ② Part no. ③, ④, ⑤, ⑥, ⑦ are assembled into part no. ①. Part no. ① and ② are not assembled when delivered.
3. Outer diameter of applicable cable shall be $\phi 6 \pm 0.5$.

NO.	MATERIAL	FINISH . REMARKS	NO.	MATERIAL	FINISH . REMARKS
4	PC	Gray . UL94V-0			
3	Stainless steel		7	Brass	Nickel plating 0.8 μ m min.
2	PC	Gray . UL94V-0	6	Brass	Nickel plating 0.8 μ m min.
1	PC	Gray . UL94V-0	5	Stainless steel	

UNITS	SCALE	COUNT	DESCRIPTION OF REVISIONS	DESIGNED	CHECKED	DATE
mm	2 : 1	7	DIS-E-00001661	P. EKSOURIYA	AH. KODAMA	18. 07. 10
APPROVED : HO. MIWA			05. 10. 13	DRAWING NO. EDC-044566-50-01		
CHECKED : YH. ENAMI			05. 10. 07	PART NO. FI-20-CV2(50)		
DESIGNED : TU. TANIGUCHI			05. 10. 03	CODE NO. CL230-0504-2-50		
DRAWN : YK. SATO			05. 09. 21	1/1		

Mouser Electronics

Authorized Distributor

Click to View Pricing, Inventory, Delivery & Lifecycle Information:

[Hirose Electric:](#)

[FI-20-CV2\(50\)](#)