

SAFETY ORGANIZATION(S):

THIS FILTER HAS BEEN FORMALLY RECOGNIZED, CERTIFIED OR APPROVED BY THE LISTED AGENCY. THEREFORE, ALL TEST/REQUIREMENTS SPECIFIED IN THE LATEST REVISION OF THE FOLLOWING AGENCY STANDARDS HAVE BEEN MET:

UL RECOGNIZED
CSA CERTIFIED
VDE APPROVED
UL 1283
CSA 22.2, NO. 0.0.4, 8
VDE 565-3

OPERATING SPECIFICATIONS:
LINE VOLTAGE/CURRENT:

20 AMP., 120/250 VAC
16 AMP./40°C, 250 VAC
50-60Hz
40°C

LINE FREQUENCY:
MAX. CASE RISE @ RATED CURRENT:
MAX. LEAKAGE CURRENT, EACH
LINE TO GROUND
OPERATING AMBIENT TEMP. RANGE:

0.5mA at 120V 60 Hz
1.0 mA at 250V 50 Hz
-10°C TO +40°C @ RATED CURRENT, I_r

IN AN AMBIENT, T_a, HIGHER THAN 40°C, THE MAXIMUM OPERATING CURRENT, I_o, IS AS FOLLOWS:

$$I_o = I_r \sqrt{\frac{85 - T_a}{45}}$$

RELIABILITY SPECIFICATIONS:

STORAGE TEMPERATURE:
-40°C TO +85°C
HUMIDITY:
21 DAYS @ 40°C 95% RH
CURRENT OVERLOAD TEST:
6 TIMES RATED CURRENT FOR 8 SECONDS

TEST SPECIFICATIONS:

INDUCTANCE:
1.8 mH NOMINAL
CAPACITANCE: (MEASURED @ 1 KHz, 0.25 VAC MAX., 25°C ±1°C)
LINE TO GROUND:
LINE TO LINE:
DISCHARGE RESISTOR:
LINE/GROUND AND LINE/LINE
INSULATION RESISTANCE
(W/O DISCHARGE RESISTOR)

RECOMMENDED RECEIVING INSPECTION HIPOT:

LINES TO GROUND: 2250 VDC FOR 1 MINUTE
LINE TO LINE: 1450 VDC FOR 1 MINUTE

FILTER APPROVAL:

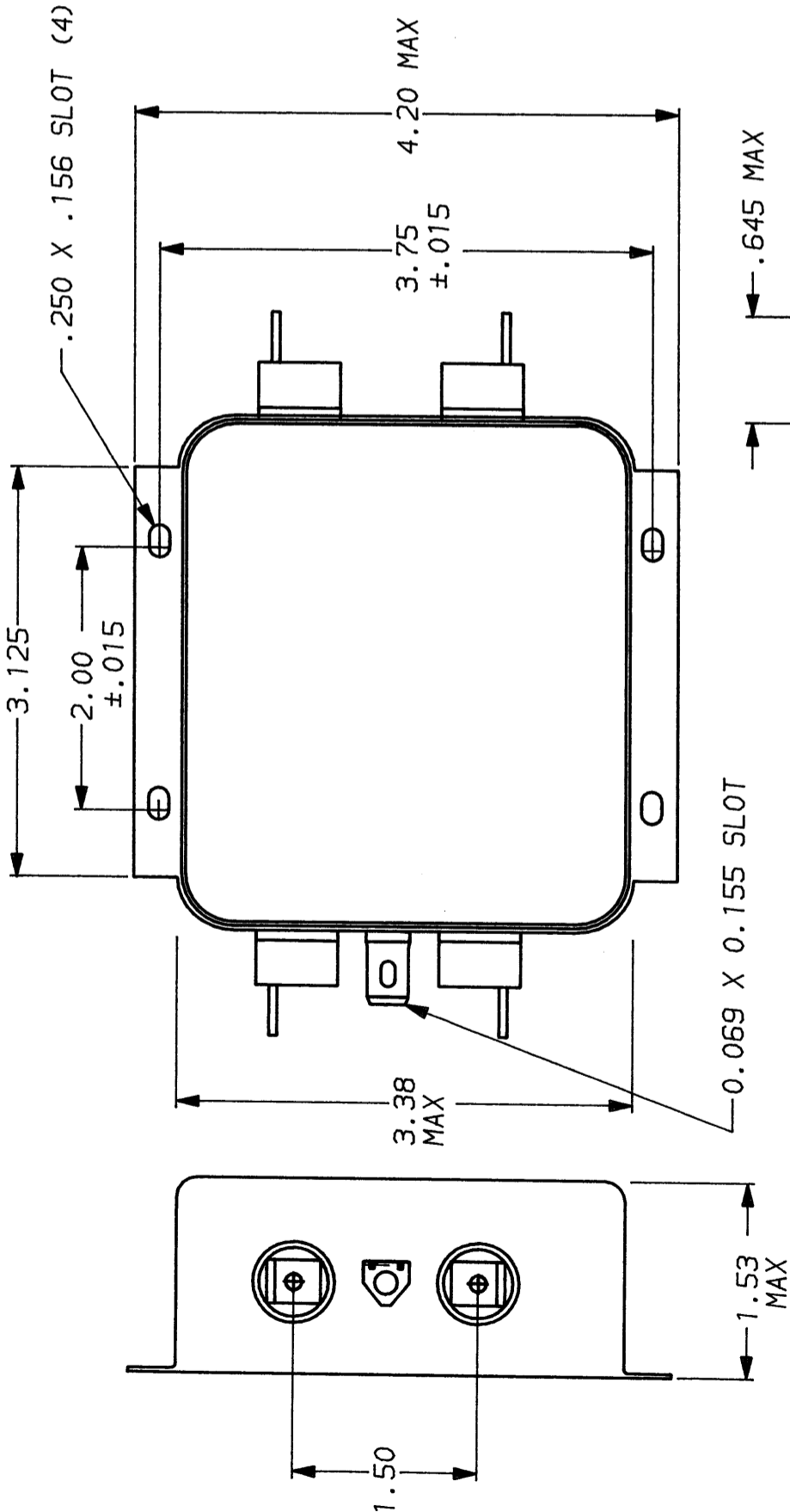
THE BEST WAY TO SELECT AND QUALIFY A FILTER IS FOR YOUR ENGINEERING TO TEST THE UNIT IN YOUR EQUIPMENT.

50Ω - 50Ω (MINIMUM) INSERTION LOSS									
FREQUENCY MHZ	.15	.5	1	2	5	10	20	30	
COMMON dB	15	30	41	49	60	46	36	30	
DIFF. dB	25	65	65	65	65	60	57	55	

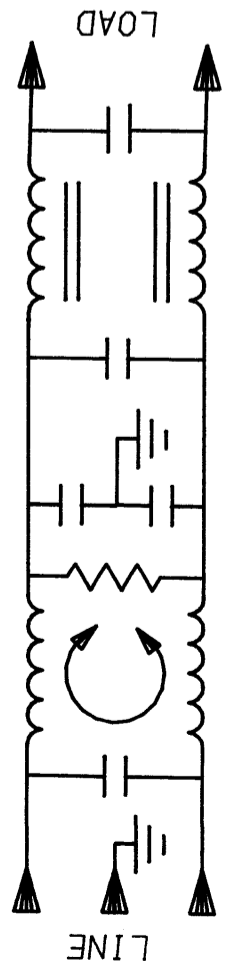
This document is proprietary to CORCOM INC. and is not to be reproduced nor used for manufacturing purposes except on CORCOM's order or prior written consent.

CORCOM
LIBERTYVILLE, IL 60048
POWER LINE FILTER

SCALE	DATE	DRG. NO.	REV.
NTS	9-12-89		20VV1.06
DRW. BY	ORIGINATOR		
TDL	CW		



.250 FASTON .069±.003 HOLE
(5 PLACES)



Mouser Electronics

Authorized Distributor

Click to View Pricing, Inventory, Delivery & Lifecycle Information:

[TE Connectivity:](#)

[20VV1](#)