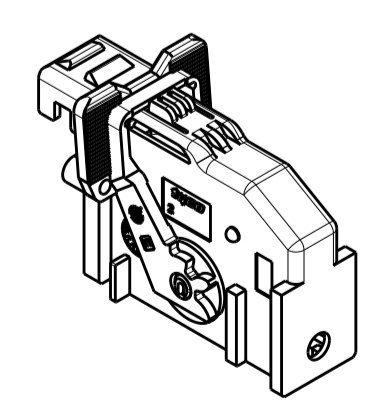
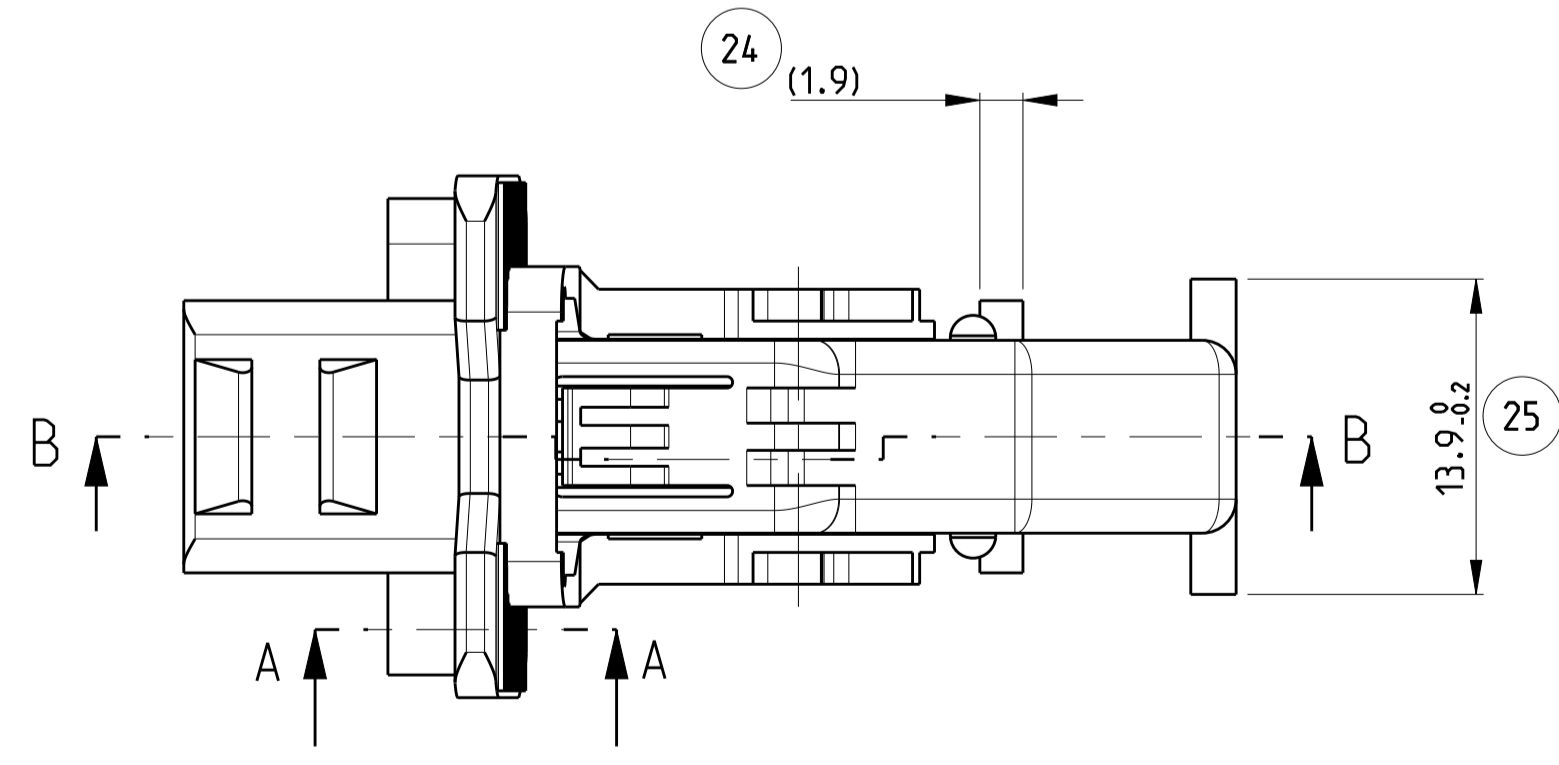
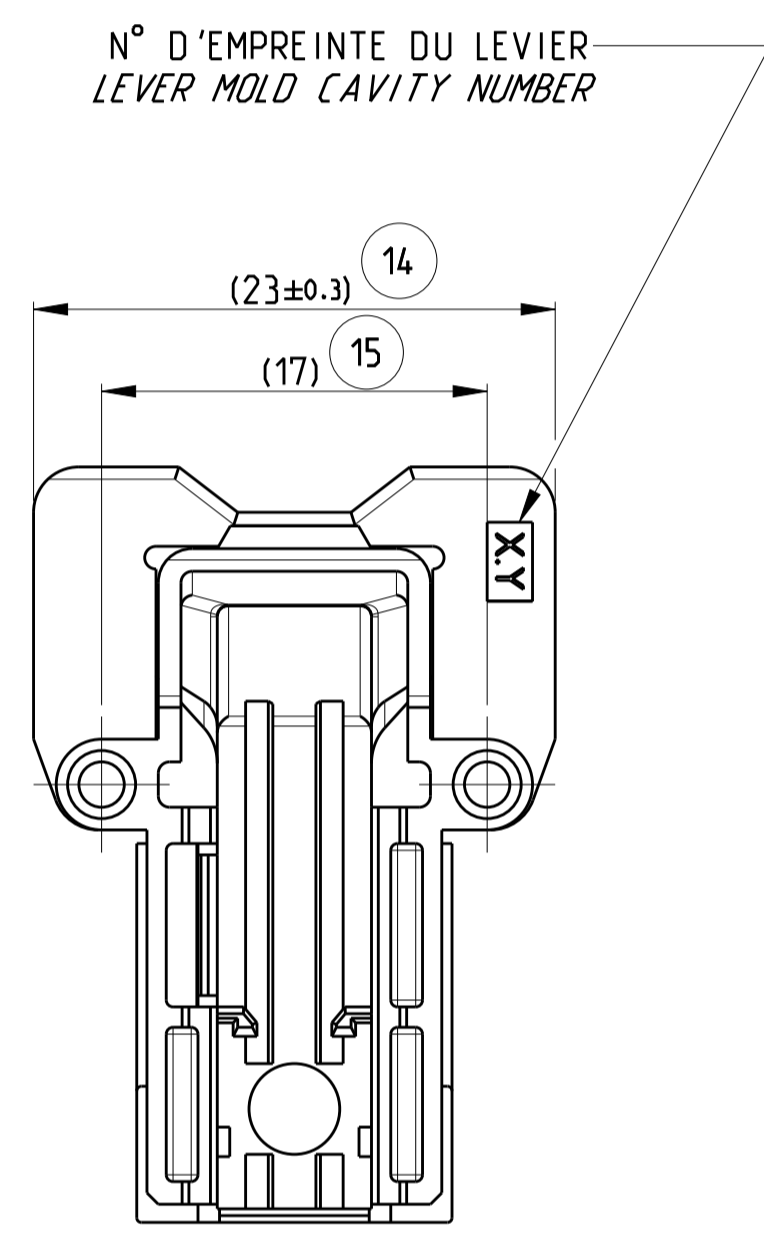
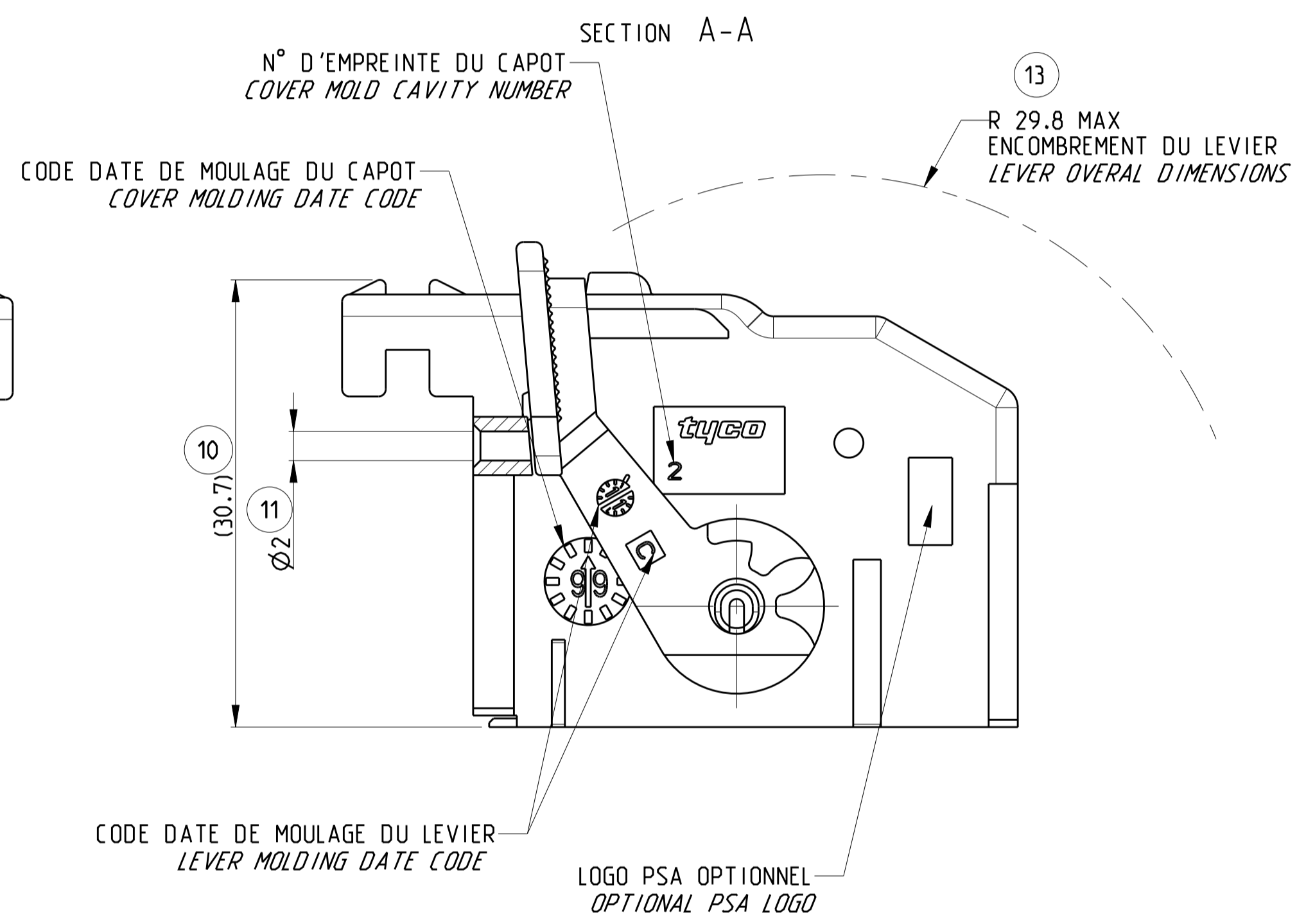
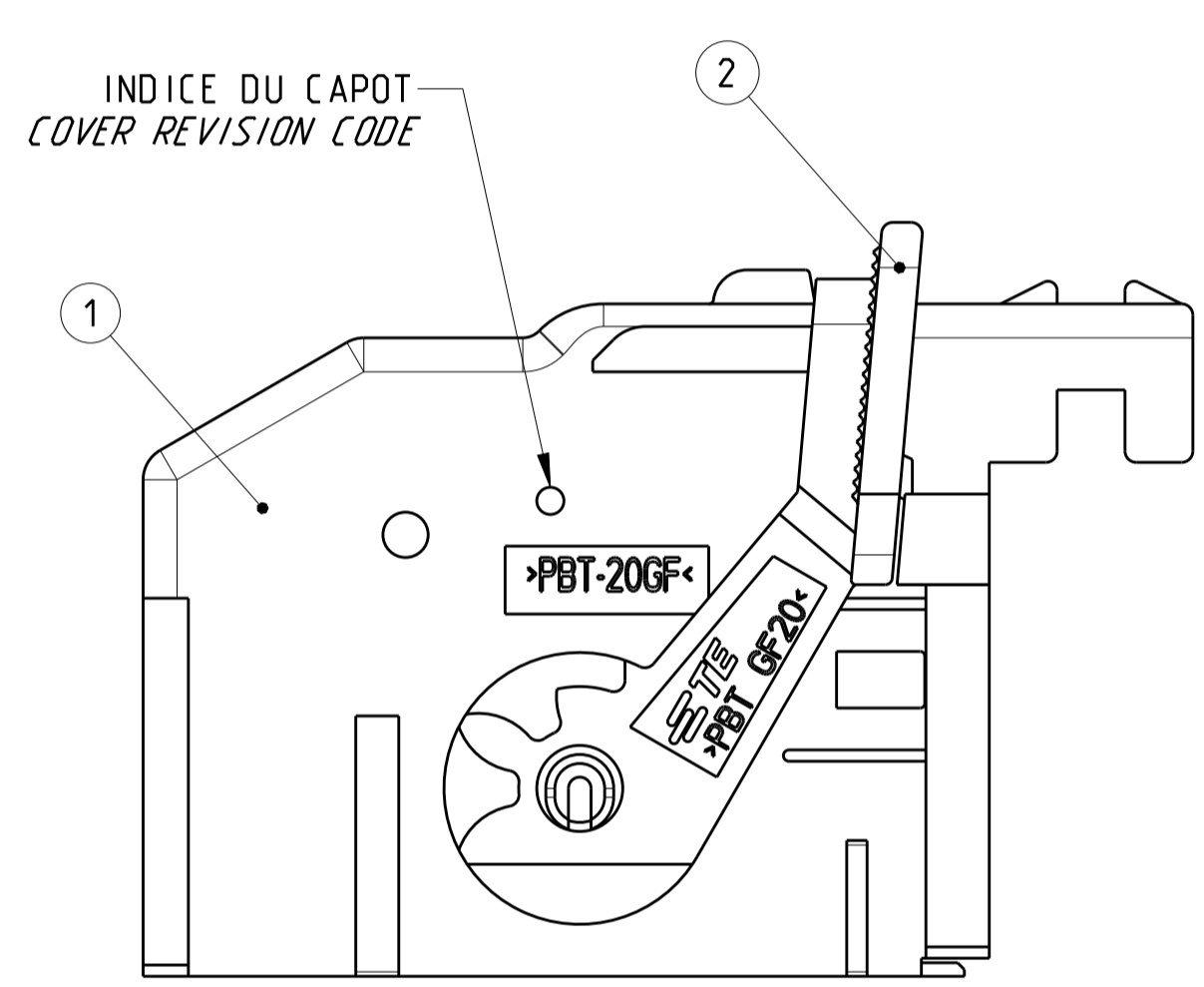
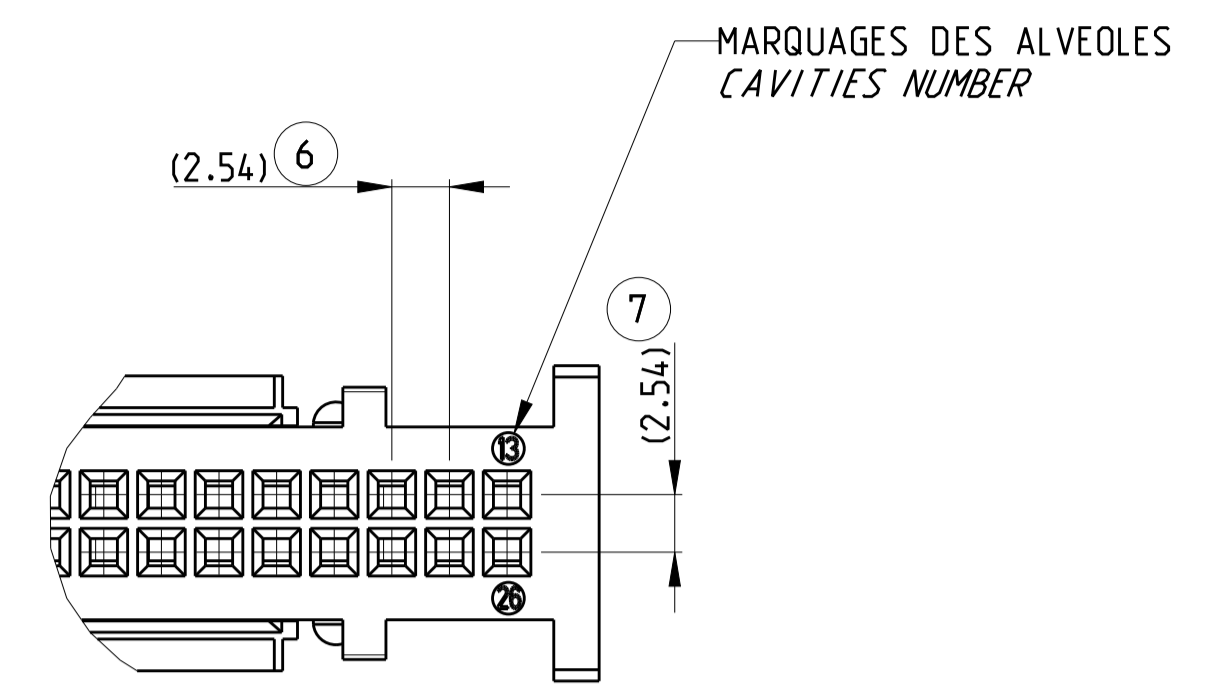
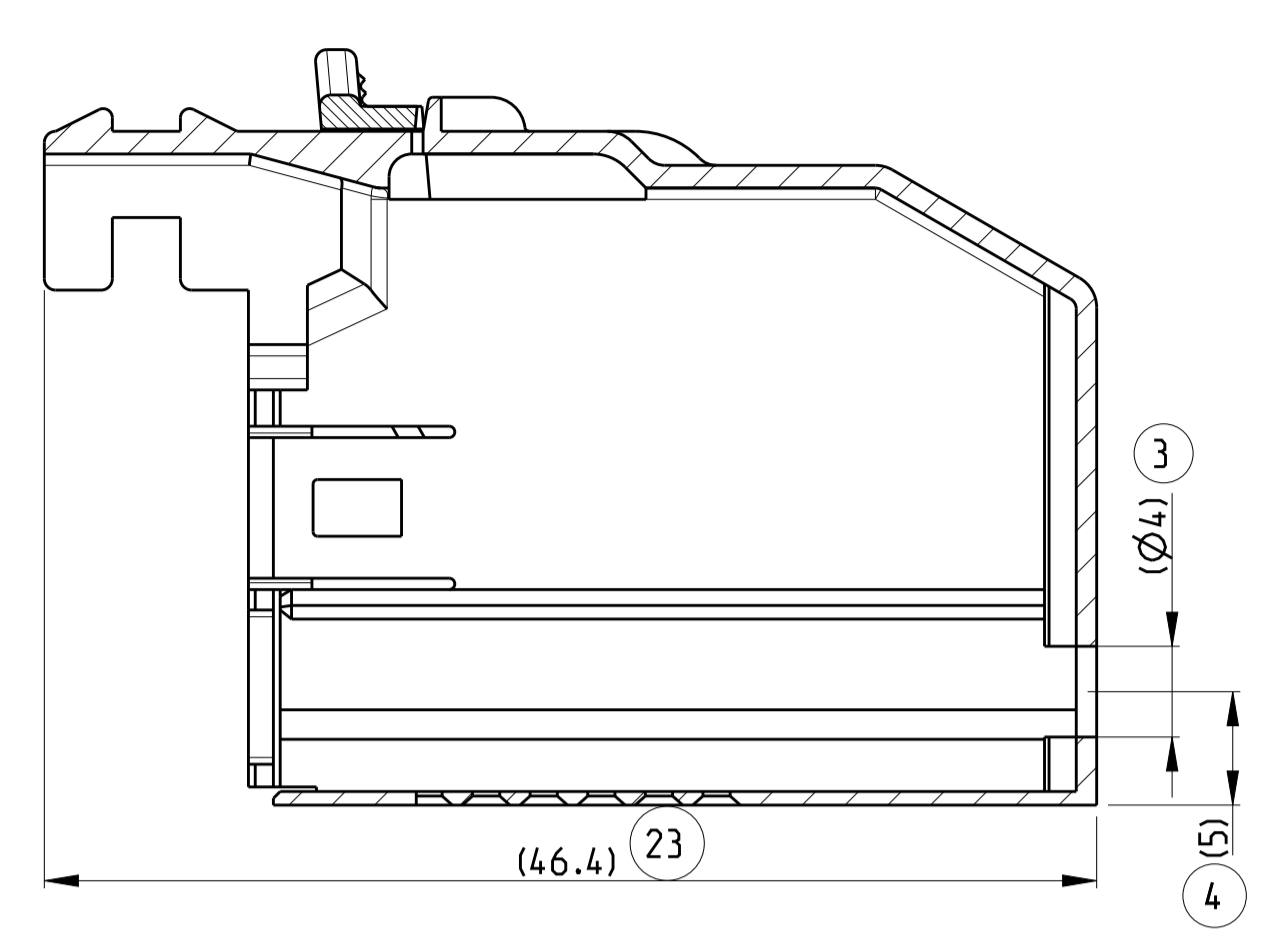


SECTION B-B



ECHELLE: 1:1 SCALE

REVISIONS					
P.	L.T.R.	DESCRIPTION	DATE	D.W.	A.P.P.
B		UPDATE DOT VIEW	24DEC2008	P.B	JP P
C		UPDATE DRAWING	10JUL2009	NS	XR
D		ADDED NEW PN'S IN TABLE	11JAN2017	ASB	SA

DESIGNATION	REP.	QTE	MATIERE	REFERENCE TE	COULEUR	DETROMPAGE
DESCRIPTION	ITEM	QTY	MATERIAL	TE PART NUMBER	COLOR	POLARISATION
CAPOT COVER	1	1	PBT20%FV	1-185879-4	VERT GREEN	13.8.1 (0.7)
LEVIER LEVER	2	1	PBT20%FV		NOIR BLACK	9.9.8.1
CAPOT COVER	1	1	PBT20%FV	1-185879-3	ROUGE RED	9.9.8.1 (0.7)
LEVIER LEVER	2	1	PBT20%FV		NOIR BLACK	13.8.1
CAPOT COVER	1	1	PBT20%FV	1-185879-2	BLEU BLUE	13.8.1 (0.7)
LEVIER LEVER	2	1	PBT20%FV		NOIR BLACK	13.8.1
CAPOT COVER	1	1	PBT20%FV	1-185879-1	JAUNE YELLOW	9.9.8.1 (0.7)
LEVIER LEVER	2	1	PBT20%FV		NOIR BLACK	9.9.8.1
CAPOT COVER	1	1	PBT20%FV	185879-4	VERT GREEN	13.8.1 (1.1)
LEVIER LEVER	2	1	PBT20%FV		NOIR BLACK	9.9.8.1
CAPOT COVER	1	1	PBT20%FV	185879-3	ROUGE RED	9.9.8.1 (1.1)
LEVIER LEVER	2	1	PBT20%FV		NOIR BLACK	13.8.1
CAPOT COVER	1	1	PBT20%FV	185879-2	BLEU BLUE	13.8.1 (1.1)
LEVIER LEVER	2	1	PBT20%FV		NOIR BLACK	13.8.1
CAPOT COVER	1	1	PBT20%FV	185879-1	JAUNE YELLOW	9.9.8.1 (1.1)
LEVIER LEVER	2	1	PBT20%FV		NOIR BLACK	9.9.8.1

NOTES:

1 - CABLAGE MAXI : 8 FILS DE SECTION 0.6 mm² (DIA MAXI ISOLANT DE 1.9 mm) POUR FORCE D'INSERTION MODULE/PORTE MODULE : F<20N ET POUR ETRE EN CONFORMITE AVEC LA SPEC. 108-15158

- MAXIMAL CABLING : 8 WIRES SECTION 0.6mm² (DIA MAXIMAL INSULATOR 1.9mm) FOR THE INSERTION FORCE MODULE/ASSY COVER : F<20N AND TO BE IN ACCORDANCE WITH THE SPEC. 108-15158

COMPOSANTS ASSOCIES MATING PARTS	
REF. TE	DESIGNATION
TE PART NUMBER	
185875-1	PORTE CLIP 26 VOIES MQS RECEPTACLE HSG 26 W MQS

185879-1 REPRESENTEE AS SHOWN

THIS DRAWING IS A CONTROLLED DOCUMENT. IT IS NOT TO BE REPRODUCED OR TRANSMITTED IN ANY FORM OR BY ANY MEANS, ELECTRONIC OR MECHANICAL, WITHOUT THE WRITTEN PERMISSION OF STMicroelectronics.

STMicroelectronics

DATE: 23DEC2008
 PHILIPPE BACHELOT
 CHEF PROJET

APPROVED BY: JP PICAUD

PRODUCT SPEC: 108-15158
 APPLICATION SPEC: 411-15581

WEIGHT: 6.3 gr
 MATERIAL: PBT20%FV

STMicroelectronics

ASSEMBLY COVER 26W MQS GENE 2
 PORTE MODULE 26 VOIES MQS GENE 2

SIZE: A1
 CAGE CODE: 00779
 DRAWING NO: 185879

RESTRICTED TO RESERVE A

CUSTOMER DRAWING /PLAN CLIENT UNDEPENDANT POUR REFERENCE

SCALE: 5:1 SHEET 1 OF 1 REV D

Mouser Electronics

Authorized Distributor

Click to View Pricing, Inventory, Delivery & Lifecycle Information:

[TE Connectivity:](#)

[185879-1](#)