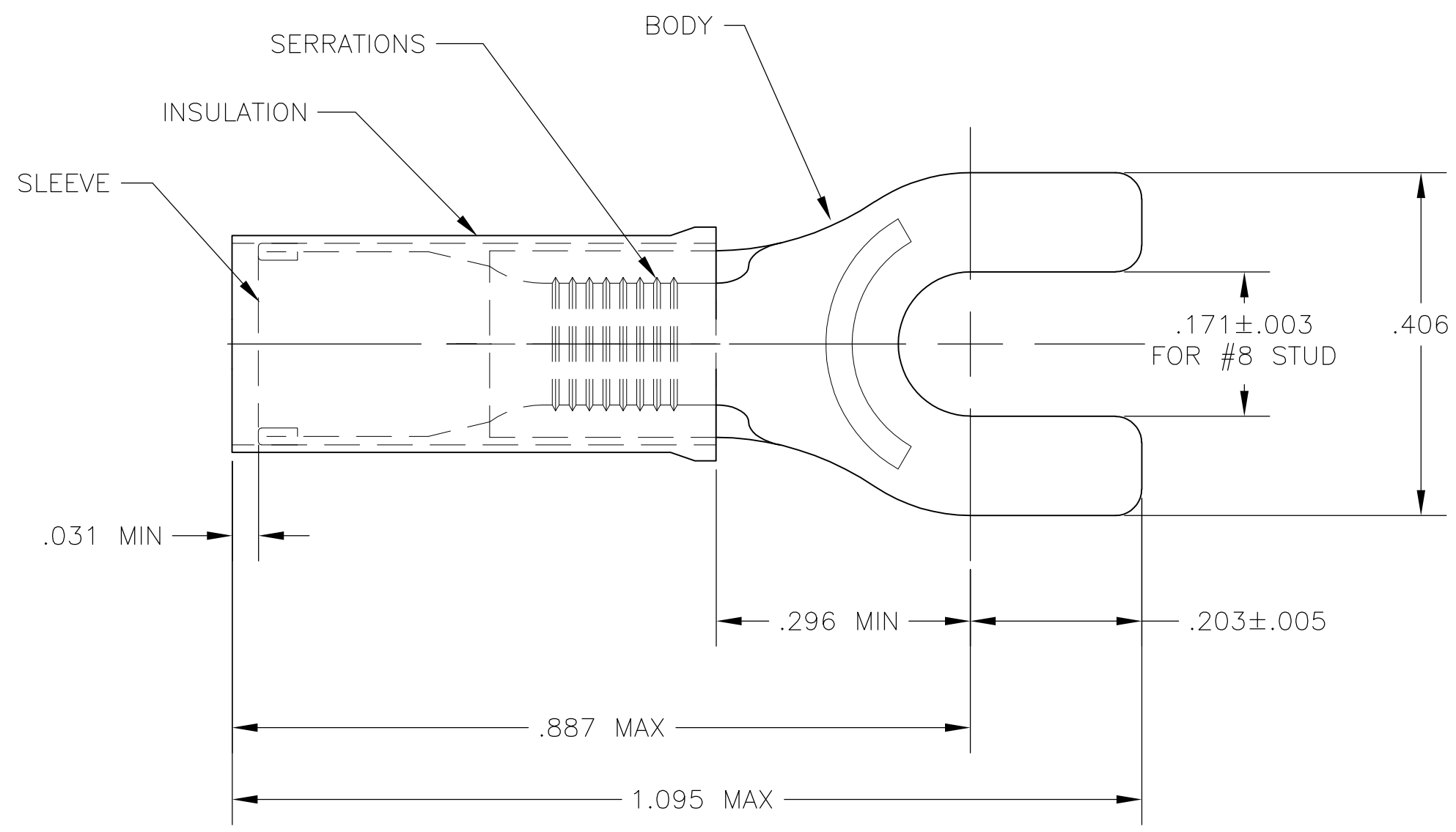


THIS DRAWING IS UNPUBLISHED. RELEASED FOR PUBLICATION
 © COPYRIGHT BY TYCO ELECTRONICS CORPORATION. ALL INTERNATIONAL RIGHTS RESERVED.

| LOC | DIST | REVISIONS | | | | | |
|-----|------|-----------|-----|---------------------------|---------|-----|------|
| G | 14 | P | LTR | DESCRIPTION | DATE | DWN | APVD |
| | | E1 | | REDRAWN PER ECR 09-006116 | 17MAR09 | JR | TM |



- 1 FOR .150 TO .250 WIRE INSULATION DIA.
- 2 MATERIAL TONGUE THK IS .040±.002

| LOOSE PIECE, BOX | INSULATION: NYLON, COLOR YELLOW SLEEVE: COPPER PER ASTM B152 BODY: COPPER PER ASTM B152 TIN PLATE PER ASTM B545 | 8-35152-2 |
|------------------|--|-----------|
| 35152 ON TAPE | | 2-35152-1 |
| WIRE TERMINAL | | 35152 |
| DESCRIPTION | MATERIAL | PART NO |

| | | | | |
|--|--|------------------------------------|---|--------------|
| THIS DRAWING IS A CONTROLLED DOCUMENT. | | DWN jr_ruth 17MAR09 | Tyco Electronics Corporation Harrisburg, PA 17105-3608 | |
| DIMENSIONS: INCHES | | CHK TOM MICHIELUTTI 17MAR09 | | |
| | | APVD TOM MICHIELUTTI 17MAR09 | NAME TERMINAL, PIDG SPADE, WIRE SIZE 12-10 AWG | |
| TOLERANCES UNLESS OTHERWISE SPECIFIED: | | PRODUCT SPEC | RESTRICTED TO | |
| 0 PLC ± - | | APPLICATION SPEC | SIZE | CAGE CODE |
| 1 PLC ± - | | — | A3 | 00779 |
| 2 PLC ± - | | — | DRAWING NO | |
| 3 PLC ± .008 | | — | G-35152 | |
| 4 PLC ± - | | — | — | |
| ANGLES ± 5° | | WEIGHT | — | |
| MATERIAL SEE TABLE | | FINISH SEE TABLE | SCALE 8:1 | |
| — | | CUSTOMER DRAWING | | SHEET 1 OF 1 |
| — | | — | | REV E1 |

Mouser Electronics

Authorized Distributor

Click to View Pricing, Inventory, Delivery & Lifecycle Information:

[TE Connectivity:](#)

[2-35152-1](#)