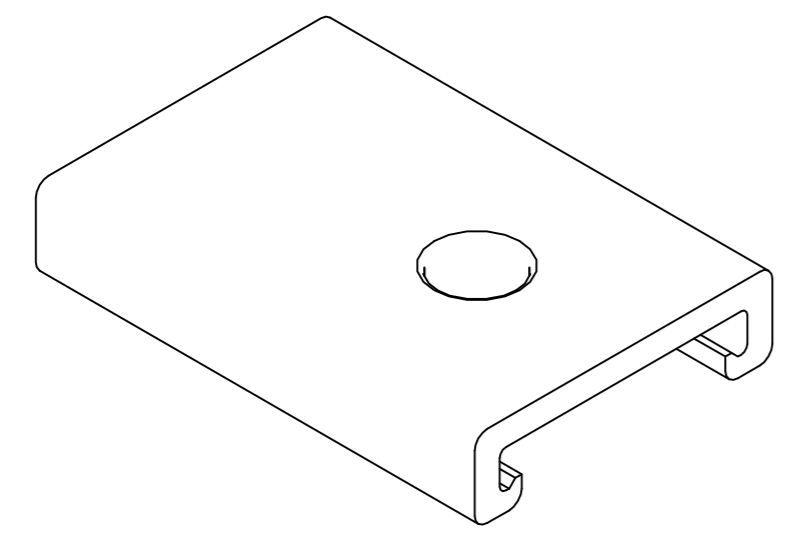
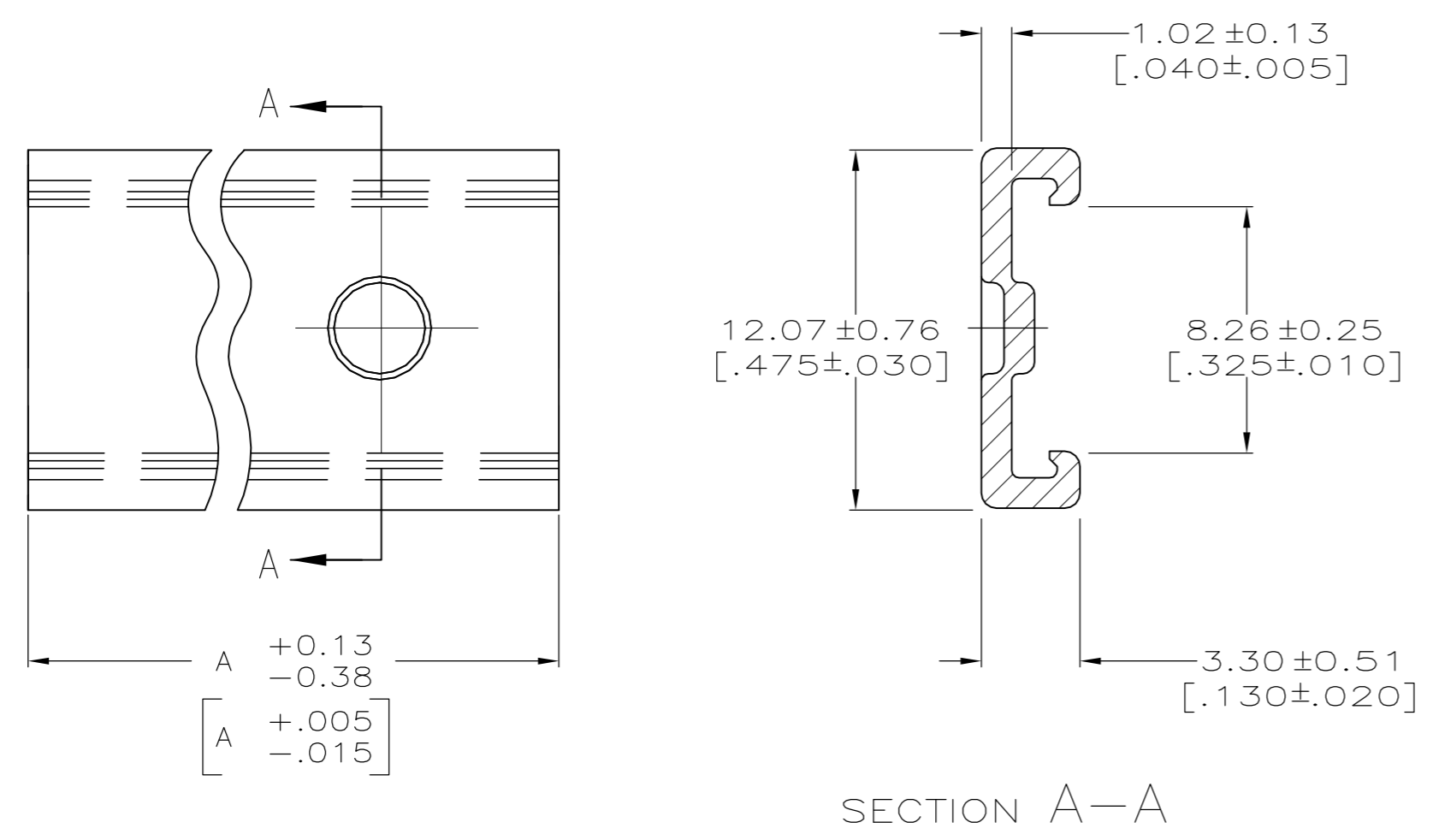


1. DIMENSIONS IN BRACKETS ARE IN INCHES.



3-DIMENSIONAL MODEL NTS

24	CIRCUIT ASSY	95.10	[3.744]	2-640643-4
23	CIRCUIT ASSY	91.14	[3.588]	2-640643-3
22	CIRCUIT ASSY	87.17	[3.432]	2-640643-2
21	CIRCUIT ASSY	83.21	[3.276]	2-640643-1
20	CIRCUIT ASSY	79.25	[3.120]	2-640643-0
19	CIRCUIT ASSY	75.29	[2.964]	1-640643-9
18	CIRCUIT ASSY	71.32	[2.808]	1-640643-8
17	CIRCUIT ASSY	67.36	[2.652]	1-640643-7
16	CIRCUIT ASSY	63.40	[2.496]	1-640643-6
15	CIRCUIT ASSY	59.44	[2.340]	1-640643-5
14	CIRCUIT ASSY	55.47	[2.184]	1-640643-4
13	CIRCUIT ASSY	51.51	[2.028]	1-640643-3
12	CIRCUIT ASSY	47.55	[1.872]	1-640643-2
11	CIRCUIT ASSY	43.59	[1.716]	1-640643-1
10	CIRCUIT ASSY	39.62	[1.560]	1-640643-0
9	CIRCUIT ASSY	35.66	[1.404]	640643-9
8	CIRCUIT ASSY	31.70	[1.248]	640643-8
7	CIRCUIT ASSY	27.74	[1.092]	640643-7
6	CIRCUIT ASSY	23.77	[0.936]	640643-6
5	CIRCUIT ASSY	19.81	[0.780]	640643-5
4	CIRCUIT ASSY	15.85	[0.624]	640643-4
3	CIRCUIT ASSY	11.89	[0.468]	640643-3
2	CIRCUIT ASSY	7.92	[0.312]	640643-2
USED ON MTA 156 CONNECTOR ASSEMBLY AS LISTED		A		PART NO

METRIC

THIS DRAWING IS A CONTROLLED DOCUMENT.		DWN	T. BECK	4-9-91	 TE Connectivity
DIMENSIONS: MM[INCHES]		CHK	R. SWING	4-9-91	
TOLERANCES UNLESS OTHERWISE SPECIFIED:		APVD	G. MILLER	4-10-91	
0 PLC ± - 1 PLC ± - 2 PLC ± - 3 PLC ± - 4 PLC ± - ANGLES ± ± - FINISH -		NAME		COVER, FEEDTHRU, MTA-156	
MATERIAL	POLYESTER, UL 94V-0 NATURAL	WEIGHT	-	SIZE	A2
CUSTOMER DRAWING		DRAWING NO		CAGE CODE	00779
		DRAWING NO		DRAWING NO	640643
		RESTRICTED TO		SCALE	5:1
		SHEET		1 OF 1	REV
		REV		R1	

Mouser Electronics

Authorized Distributor

Click to View Pricing, Inventory, Delivery & Lifecycle Information:

[TE Connectivity:](#)

[640643-2](#)