

THIS DRAWING IS UNPUBLISHED.

RELEASED FOR PUBLICATION

© COPYRIGHT

BY

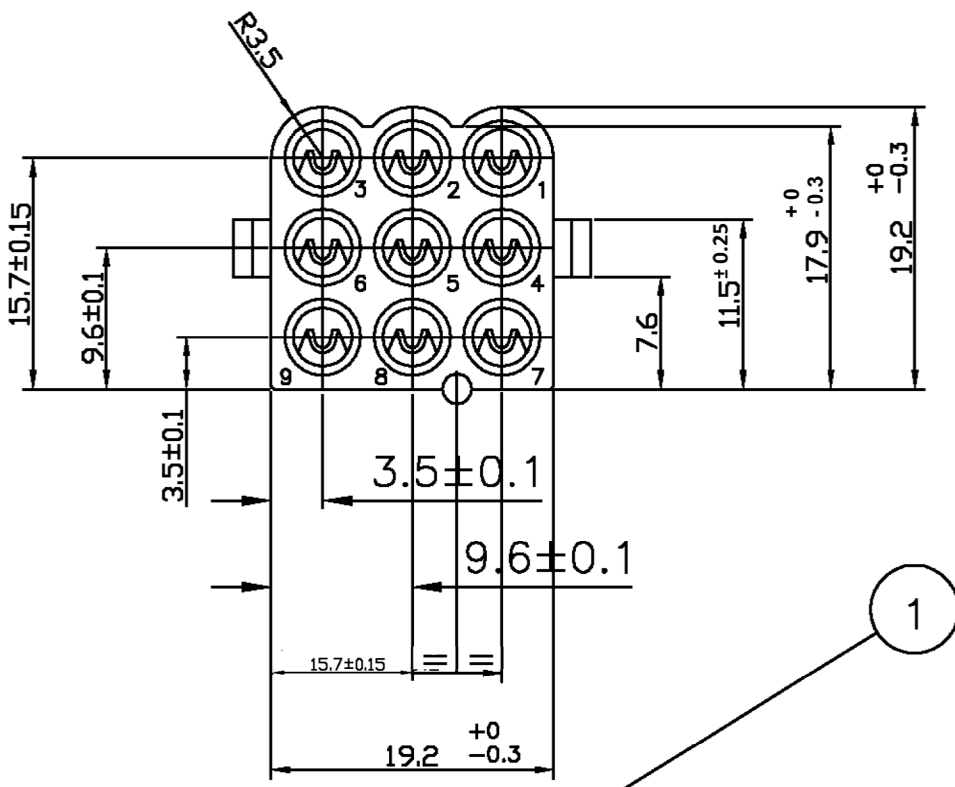
ALL RIGHTS RESERVED.

LOC  
Z

DIST  
00

REVISIONS

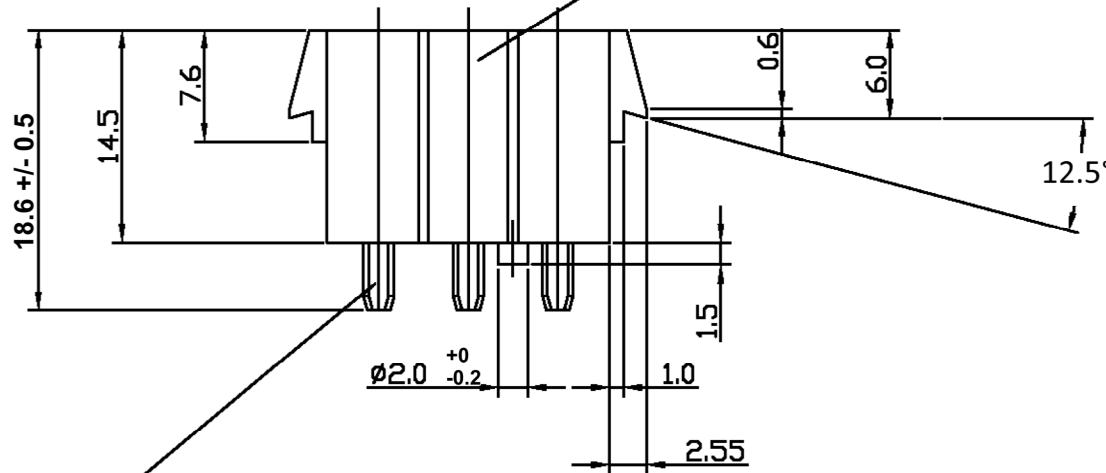
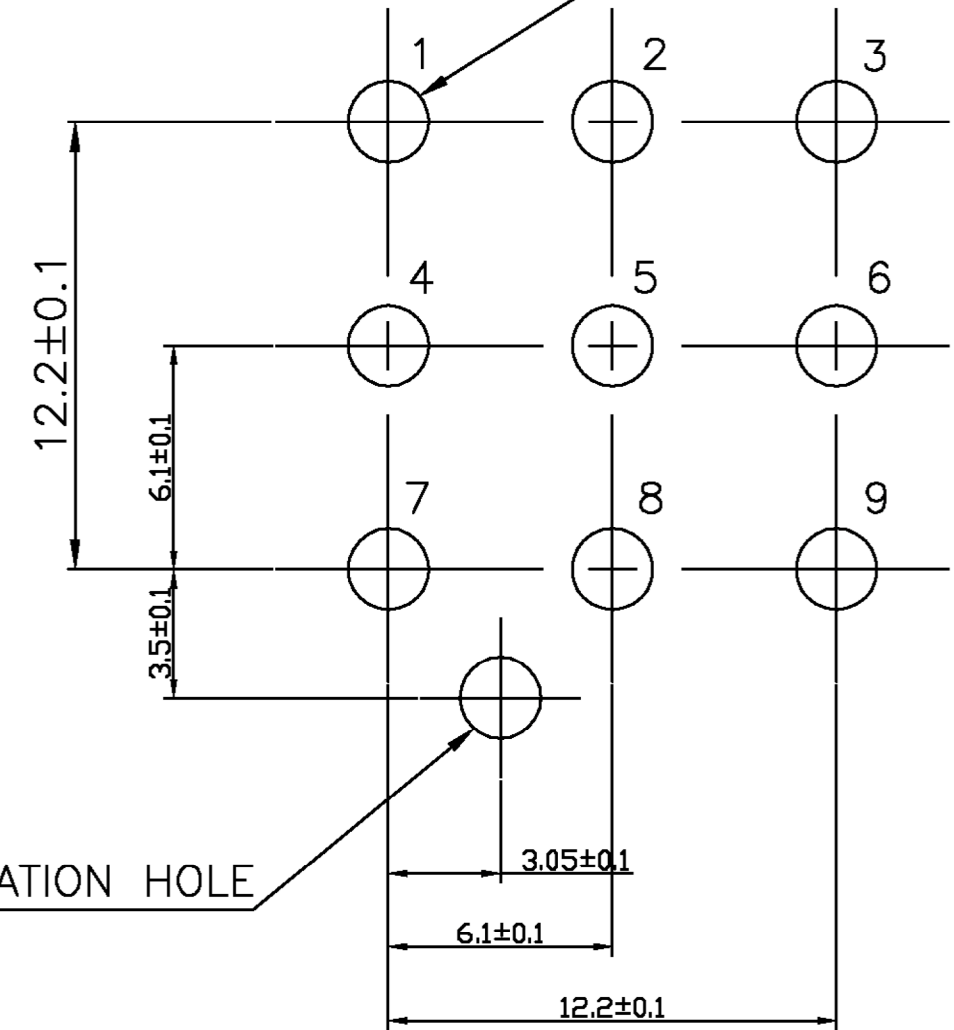
P	LTR	DESCRIPTION	DATE	DWN	APVD
B2		REVISED AS PER ECR-14-005823	19JUN14	GK	KD



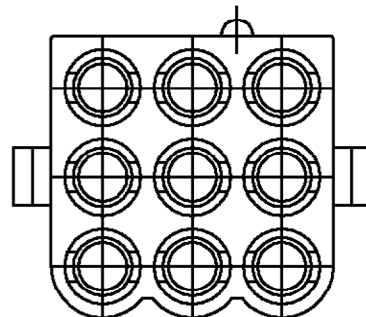
MATES WITH 1-480673-0 PCB PATTERN.

SCALE 5:1

FINALIZED HOLE  $\phi 2.2^{+0.1}_{-0}$  AMOUNT 9+1



2



365046-1	9	PCB SOCKET	Cu Sn PRETIN.	926915-1
	1	REC.HOUSING	PA 6.6 NAT	927011-1
PART NO.	AMOUNT	FINISH	MATERIAL	PARTNUMBER

THIS DRAWING IS A CONTROLLED DOCUMENT.		DWN Klaus Eichwald 11FEB99	<b>TE</b> TE Connectivity	
DIMENSIONS: MM		CHK -		
TOLERANCES UNLESS OTHERWISE SPECIFIED:		APVD -	NAME 9-Pos. Rec. Header 9x ±3.5 mm Pcb. Socket Assy.	
0 PLC ± -		PRODUCT SPEC -		
1 PLC ±0.3		APPLICATION SPEC -	SIZE A3	
2 PLC ±0.3		WEIGHT -		
3 PLC ± -		CAGE CODE 00779	DRAWING NO C=365046	
4 PLC ± -		RESTRICTED TO -		
ANGLES ±2.5°		SCALE 1:1	SHEET 1 OF 1	
FINISH -		REV B2		
MATERIAL -		CUSTOMER DRAWING		

# Mouser Electronics

Authorized Distributor

Click to View Pricing, Inventory, Delivery & Lifecycle Information:

[TE Connectivity:](#)

[365046-1](#)