

Reversing load relay - ELR W1/10-24DC - 2964306

Please be informed that the data shown in this PDF Document is generated from our Online Catalog. Please find the complete data in the user's documentation. Our General Terms of Use for Downloads are valid (<http://phoenixcontact.com/download>)



Electronic reversing load relay, for driving DC motors, with light indicator and protection circuit, output: 10-30 V DC/10 A



Key Commercial Data

Packing unit	1 pc
Weight per Piece (excluding packing)	733.6 g
Custom tariff number	85371099
Country of origin	Germany

Technical data

Note

Utilization restriction	EMC: class A product, see manufacturer's declaration in the download area
-------------------------	---

Input data

Input name	Device supply
Nominal supply voltage	24 V DC $\pm 20\%$
Protective circuit	Reverse polarity protection Polarity protection diode
Status display	Green LED
Current consumption	max. 10 mA
Input name	Control input right/left
Nominal input voltage U_N	24 V DC $\pm 20\%$
Current consumption	approx. 3 mA

Output data load output

Nominal output voltage range	10 V DC ... 30 V DC
Protective circuit	Reverse polarity protection

Reversing load relay - ELR W1/10-24DC - 2964306

Technical data

Connection data, control circuit

Connection name	Control circuits
Connection method	Screw connection
Stripping length	8 mm
Screw thread	M3
Conductor cross section solid	0.2 mm ² ... 6 mm ²
Conductor cross section flexible	0.2 mm ² ... 4 mm ²
Conductor cross section AWG	24 ... 10

Connection data load circuit

Connection name	Load circuit
Connection method	Screw connection
Stripping length	8 mm
Screw thread	M3
Conductor cross section solid	0.2 mm ² ... 6 mm ²
Conductor cross section flexible	0.2 mm ² ... 4 mm ²
Conductor cross section AWG	24 ... 10

General

Test voltage input/output	2.5 kV AC
Mounting position	Vertical (horizontal DIN rail)
Assembly instructions	Can be aligned with spacing = 20 mm
Standards/regulations	EN 50178
Overvoltage category	III

Dimensions

Width	62 mm
Height	84 mm
Depth	110 mm

Ambient conditions

Ambient temperature (operation)	-20 °C ... 60 °C
Ambient temperature (storage/transport)	-20 °C ... 70 °C
Degree of protection	IP20

Standards and Regulations

Standards/regulations	EN 50178
Overvoltage category	III

Reversing load relay - ELR W1/10-24DC - 2964306

Classifications

eCl@ss

eCl@ss 4.0	27371102
eCl@ss 4.1	27371102
eCl@ss 5.0	27371601
eCl@ss 5.1	27371601
eCl@ss 6.0	27371601
eCl@ss 7.0	27371601
eCl@ss 8.0	27371601
eCl@ss 9.0	27371601

ETIM

ETIM 2.0	EC000066
ETIM 3.0	EC000066
ETIM 4.0	EC000066
ETIM 5.0	EC002055

UNSPSC

UNSPSC 6.01	30211915
UNSPSC 7.0901	39121514
UNSPSC 11	39121514
UNSPSC 12.01	39121514
UNSPSC 13.2	39121514

Approvals

Approvals

Approvals

EAC / EAC

Ex Approvals

Approvals submitted

Approval details

Reversing load relay - ELR W1/10-24DC - 2964306

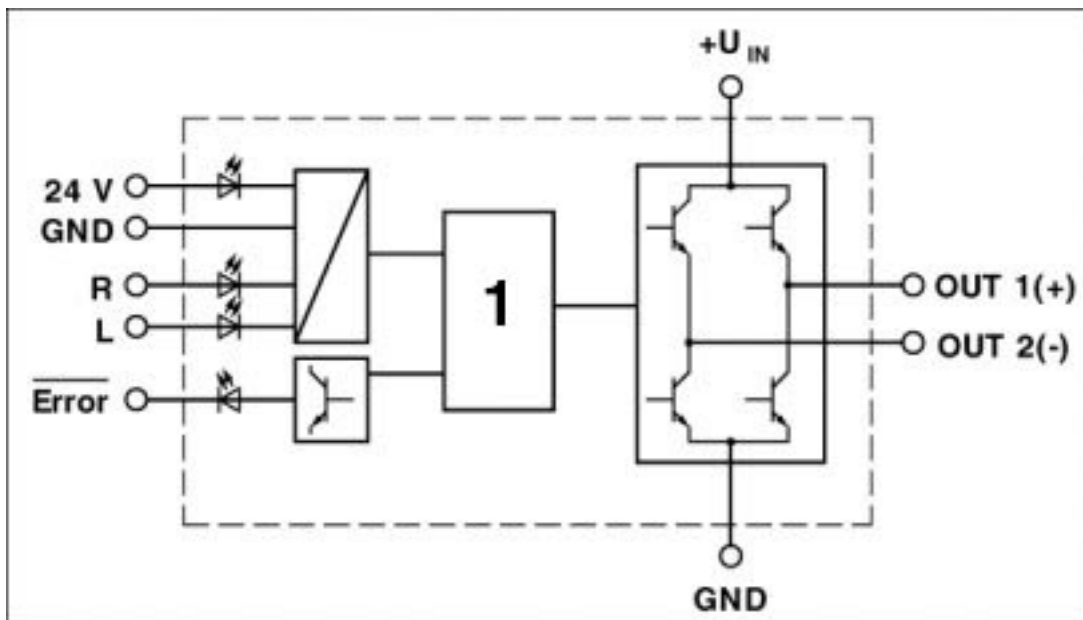
Approvals

EAC

EAC

Drawings

Circuit diagram



1 = logics

Mouser Electronics

Authorized Distributor

Click to View Pricing, Inventory, Delivery & Lifecycle Information:

[Phoenix Contact:](#)

[2964306](#)