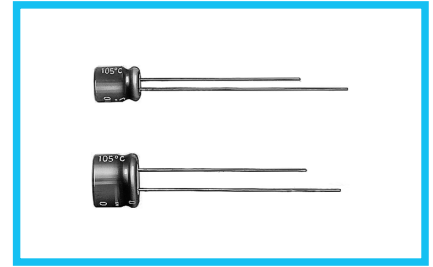
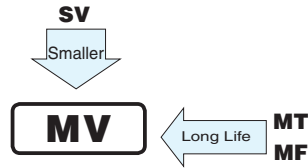


ALUMINUM ELECTROLYTIC CAPACITORS

MV series 5mmL, Long Life Assurance



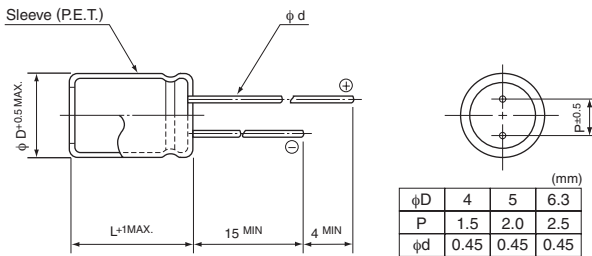
- Extended load life of 5000 hours at +105°C, with 5mm height.
- Compliant to the RoHS directive (2011/65/EU).



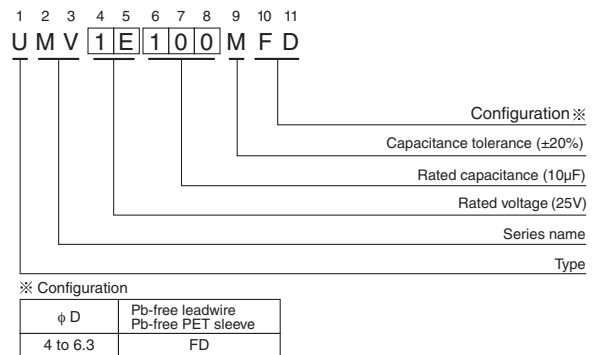
Specifications

Item	Performance Characteristics							
Category Temperature Range	-40 to +105°C							
Rated Voltage Range	4 to 50V							
Rated Capacitance Range	0.1 to 100μF							
Capacitance Tolerance	±20% at 120Hz, 20°C							
Leakage Current	After 2 minutes' application of rated voltage at 20°C, leakage current is not more than 0.01CV or 3 (μA), whichever is greater.							
Tangent of loss angle (tan δ)	Measurement frequency : 120Hz at 20°C							
	Rated voltage (V)	4	6.3	10	16	25	35	50
Stability at Low Temperature	Measurement frequency : 120Hz							
	Rated voltage (V)	4	6.3	10	16	25	35	50
	Impedance ratio ZT / Z20 (MAX.)	Z-25°C / Z+20°C	8	4	3	2	2	2
Endurance	The specifications listed at right shall be met when the capacitors are restored to 20°C after the rated voltage is applied for 5000 hours at 105°C.							
	Capacitance change	Within ±30% of the initial capacitance value						
	tan δ	300% or less than the initial specified value						
Shelf Life	After storing the capacitors under no load at 105°C for 1000 hours and then performing voltage treatment based on JIS C 5101-4 clause 4.1 at 20°C, they shall meet the specified values for the endurance characteristics listed above.							
	Marking	Printed with silver color letter on dark brown sleeve.						

Radial Lead Type



Type numbering system (Example : 25V 10μF)



Dimensions

Cap.(μF)	V	4		6.3		10		16		25		35		50	
		Code	0G	0J	1A	1C	1E	1V	1H						
0.1	0R1													4 × 5	1.0
0.22	R22													4 × 5	2.6
0.33	R33													4 × 5	3.2
0.47	R47													4 × 5	3.8
1	010													4 × 5	6.2
2.2	2R2													4 × 5	11
3.3	3R3													4 × 5	14
4.7	4R7									4 × 5	13	4 × 5	15	5 × 5	19
10	100							4 × 5	18	5 × 5	23	5 × 5	25	6.3 × 5	30
22	220	4 × 5	22	4 × 5	22	5 × 5	27	5 × 5	30	6.3 × 5	38	6.3 × 5	42		
33	330	5 × 5	30	5 × 5	30	5 × 5	35	6.3 × 5	40	6.3 × 5	48				
47	470	5 × 5	36	5 × 5	36	6.3 × 5	46	6.3 × 5	50						
100	101	6.3 × 5	60	6.3 × 5	60									Case size φD × L (mm)	Rated ripple

Rated ripple current (mArms) at 105°C 120Hz

Frequency coefficient of rated ripple current

Frequency	50 Hz	120 Hz	300 Hz	1 kHz	10 kHz or more
Coefficient	0.70	1.00	1.17	1.36	1.50

Please refer to page 20, 21, 22 about the formed or taped product spec.
Please refer to page 4 for the minimum order quantity.

Mouser Electronics

Authorized Distributor

Click to View Pricing, Inventory, Delivery & Lifecycle Information:

[Nichicon:](#)

[UMV1V4R7MFD1TP](#) [UMV1E4R7MFD1TP](#) [UMV1H2R2MFD1TP](#) [UMV1A470MFD1TE](#) [UMV0G470MFD1TP](#)
[UMV0J220MFD1TP](#) [UMV1A330MFD1TP](#) [UMV0G220MFD1TP](#) [UMV0J470MFD1TP](#) [UMV1H4R7MFD1TE](#)
[UMV1E330MFD1TE](#) [UMV0J101MFD1TE](#)