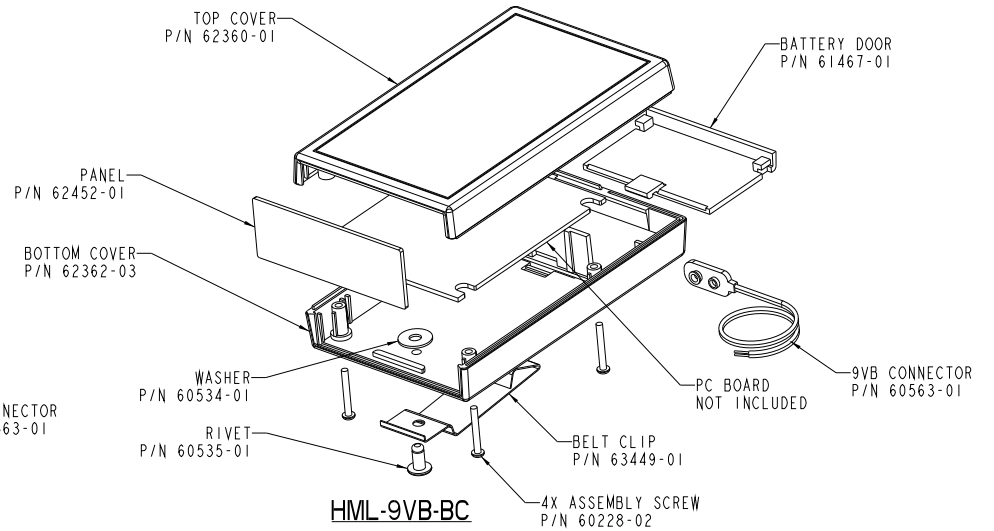
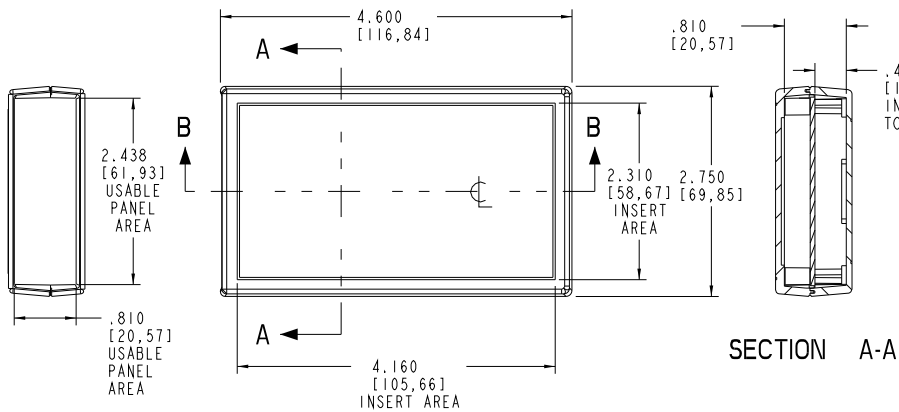


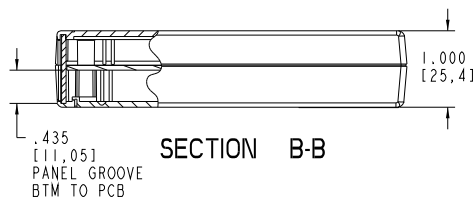
HML-9VB



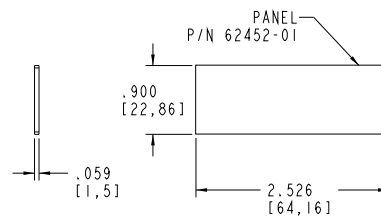
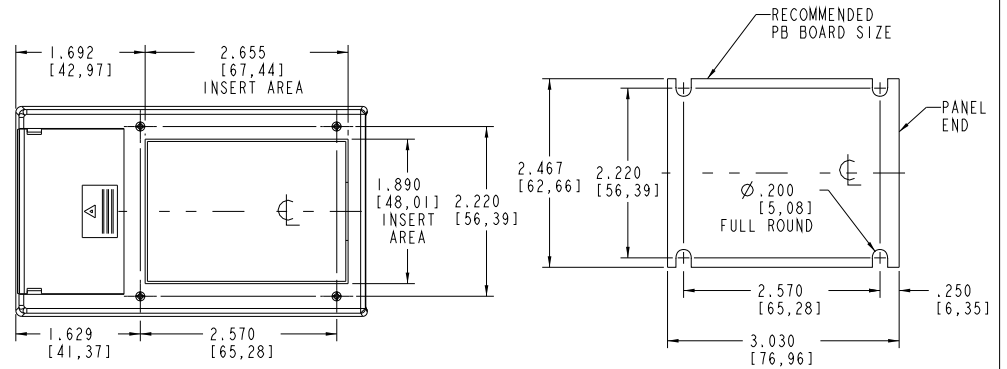
HML-9VB-BC



SECTION A-A



SECTION B-B



PACINTEC®
1-610-361-4200

HML-9VB, HML-9VB-BC

VISIT **PACINTEC®**
ON THE WORLD WIDE WEB
www.pactecenclosures.com

COLOR / MATERIAL CODE	
COLOR	94HB 94VO
BLACK	000 028
P.C.BONE	039 060

DRAWING NUMBER	REV
62456	C

Mouser Electronics

Authorized Distributor

Click to View Pricing, Inventory, Delivery & Lifecycle Information:

PacTec:

[68130-510-000 K-HML-9VB-BLACK Kit](#) [69815-510-000 K-HML-9VB-SP BLACK Kit](#) [62452-01-000 HML-9VB, EB Black](#)

[62452-01-039 HML-9VB/HML-EB BONE PANEL](#) [62582-510-039 HML-9VB Bone Kit](#) [62578-510-000 HML-9VB Black](#)

[Kit](#)