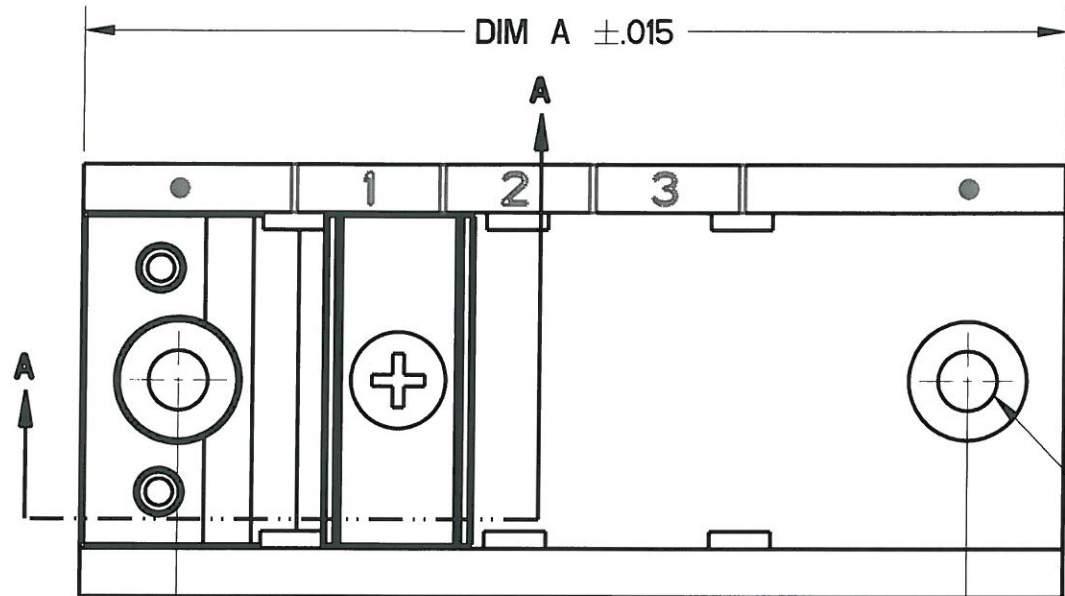


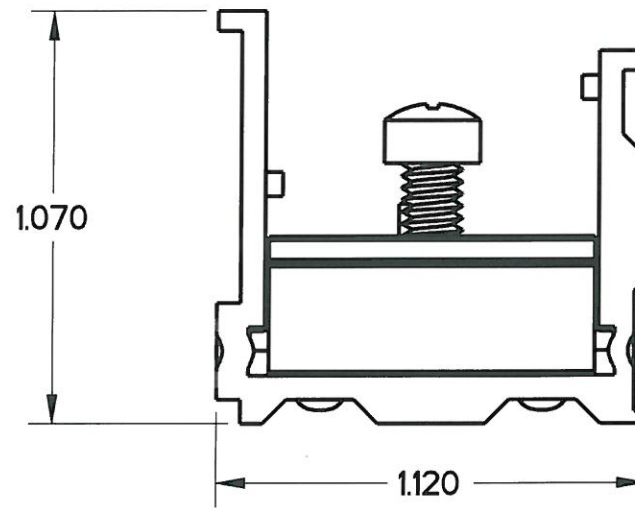
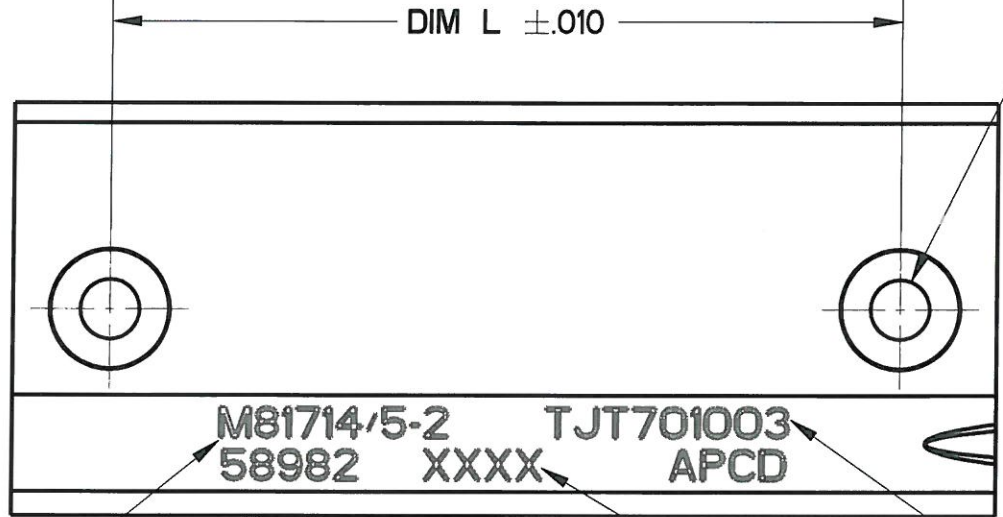
REV	ECN	APP'D
A	6689	<i>[Signature]</i>

NOTES:

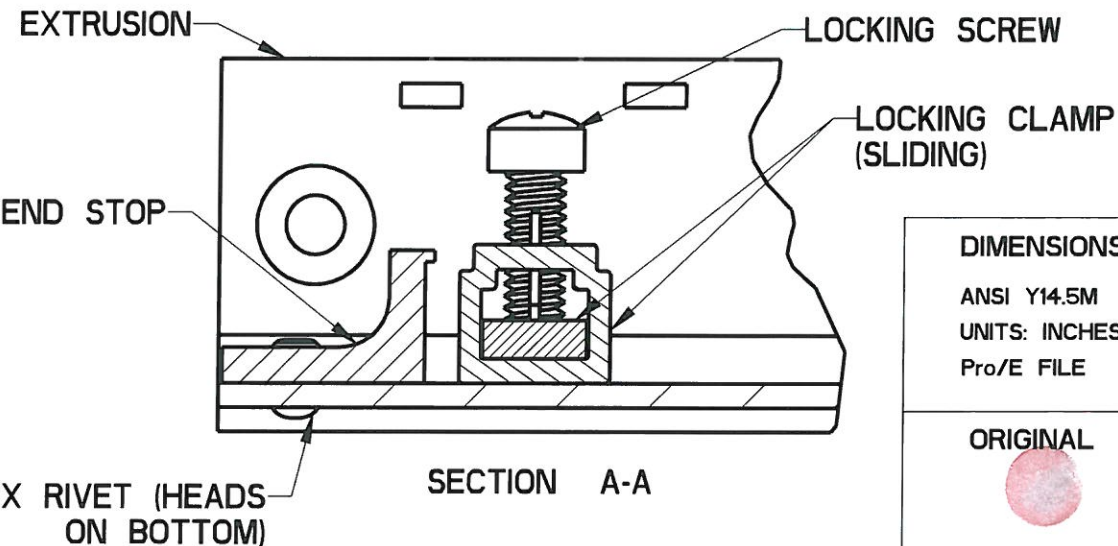
- MATERIALS AND FINISH  
 TRACK, LOCKING CLAMP, AND END STOP - ALUMINUM ALLOY 6063  
 TEMPER T5, PER FED SPEC. QQ-A-200/9, BLACK ANODIZE PER MIL-A-8625  
 TYPE II, CLASS 2.  
 LOCKING CLAMP SCREW - CORROSION RESISTANT, PASSIVATED, SELF-LOCKING.  
 RIVETS - ALUMINUM ALLOY #2117, CHROMATE PER MIL-DTL-5541, CLASS 1A, YELLOW.
- APCD P/N TJT701003 (M81714/5-2) SHOWN.



Ø.154 MOUNTING HOLES  
 CSK 82° X .307 DIA  
 4X



MIL P/N: M81714/5-2 58982  
 DATE CODE: TJT701003 XXXX  
 APCD P/N: APCD



\* DIVIDE BY 3 FOR SIZE 12 MODULE MOUNTING

MIL P/N	APCD P/N	MTG POS.	DIM A	DIM L
M81714/5-1	TJT701010	10	5.291	4.791
M81714/5-2	TJT701003	3	2.561	2.061
M81714/5-3	TJT701004	4	2.951	2.451
M81714/5-4	TJT701005	5	3.341	2.841
M81714/5-5	TJT701006	6	3.731	3.231
M81714/5-6	TJT701007	7	4.121	3.621
M81714/5-7	TJT701008	8	4.511	4.011
M81714/5-8	TJT701009	9	4.901	4.401
M81714/5-9	TJT701011	11	5.681	5.181
M81714/5-10	TJT701012	12	6.071	5.571
M81714/5-11	TJT701013	13	6.461	5.961
M81714/5-12	TJT701014	14	6.851	6.351
M81714/5-13	TJT701015	15	7.241	6.741

DIMENSIONS ANSI Y14.5M UNITS: INCHES Pro/E FILE	TOLERANCES .XX ±0.01 .XXX ±0.005 ANGLES ±2.0°	PROJECTION 	<b>Amphenol Pcd</b> SPECIFICATION DRAWING ENGR M. Hai 12-Apr-11		TITLE TERMINAL JUNCTION TRACK FEEDBACK - STANDARD M81714/5, SERIES I	
			ORIGINAL 	THIS DOCUMENT CONTAINS PROPRIETARY INFORMATION WHICH IS THE CONFIDENTIAL PROPERTY OF AMPHENOL PCD INC. BEVERLY, MA, USA		CHKD <i>[Signature]</i> 4/19/11 APPD <i>[Signature]</i> 4/20/11

# Mouser Electronics

Authorized Distributor

Click to View Pricing, Inventory, Delivery & Lifecycle Information:

[Amphenol:](#)

[TJT701006](#)