



# 36×36×28 mm

San Ace 36 9GX/9GV type (Model no.: 9GX3612P3K001 only) /

## General Specifications

- Material ..... Frame: Plastic (Flammability: UL 94V-0), Impeller: Plastic (Flammability: UL 94V-1)
- Expected life ..... See the table below. (L10 life: 90% survival rate for continuous operation in free air at 60°C, rated voltage)
- Motor protection function ..... Locked rotor burnout protection, Reverse polarity protection  
For details, please refer to p. 529.
- Dielectric strength ..... 50/60 Hz, 500 VAC, for 1 minute (between lead wire conductors and frame)
- Insulation resistance ..... 10 MΩ or more with a 500 VDC megger (between lead wire conductors and frame)
- Sound pressure level (SPL) ..... At 1 m away from the air inlet
- Storage temperature ..... -30~+70°C (Non-condensing, Model no.: 9GX3612P3K001 only), -20 to +70°C (Non-condensing)
- Lead wire ..... ⊕Red ⊖Black (Sensor) Yellow (Control) Brown  
(For models without PWM control function, there is no speed control wiring.)
- Mass ..... 46 g

## Specifications

The models listed below **have ribs and pulse sensors with PWM control function.**

Model no.	Rated voltage [V]	Operating voltage range [V]	PWM duty cycle* [%]	Rated current [A]	Rated input [W]	Rated speed [min <sup>-1</sup> ]	Max. airflow [m <sup>3</sup> /min] [CFM]	Max. static pressure [Pa] [inchH <sub>2</sub> O]	SPL [dB (A)]	Operating temperature [°C]	Expected life [h]
9GX3612P3K001	12	10.8 to 13.2	100	1.3	15.6	24000	0.69 24.4	838 3.367	66	-10 to +60	40000/60°C (70000/40°C)
			0	0.07	0.84	3200	0.09 3.2	14.0 0.056	32		

\* PWM frequency: 25 kHz

Other sensor specifications are available as options. Refer to the index (p. 556).

The models listed below **have ribs and pulse sensors.**

Model no.	Rated voltage [V]	Operating voltage range [V]	Rated current [A]	Rated input [W]	Rated speed [min <sup>-1</sup> ]	Max. airflow [m <sup>3</sup> /min] [CFM]	Max. static pressure [Pa] [inchH <sub>2</sub> O]	SPL [dB (A)]	Operating temperature [°C]	Expected life [h]
9GV3612J301	12	7.0 to 13.2	0.75	9.0	19000	0.55 19.4	525 2.108	58.5	-20 to +60	40000/60°C
9GV3612G301			0.34	4.08	14000	0.4 14.1	275 1.104	52.0		

Other sensor specifications are available as options. Refer to the index (p. 556).

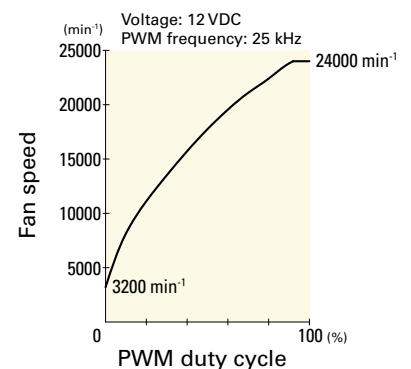
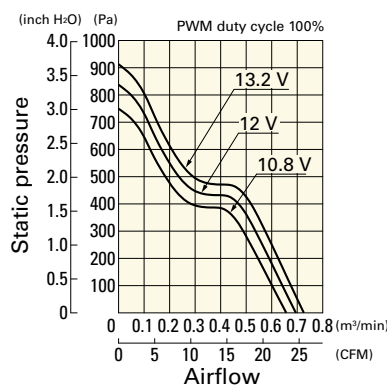
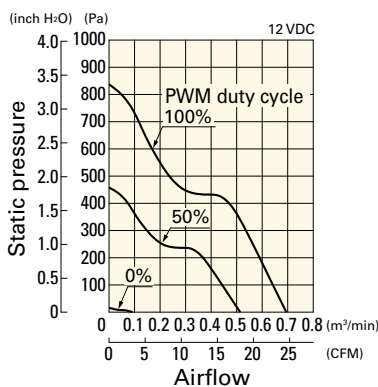
## Airflow - Static Pressure Characteristics / PWM Duty - Speed Characteristics Example

**9GX3612P3K001** With pulse sensor with PWM control function

PWM duty cycle

Operating voltage range

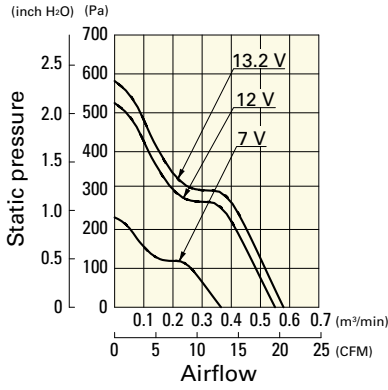
PWM duty - Speed characteristics example



**Airflow - Static Pressure Characteristics**

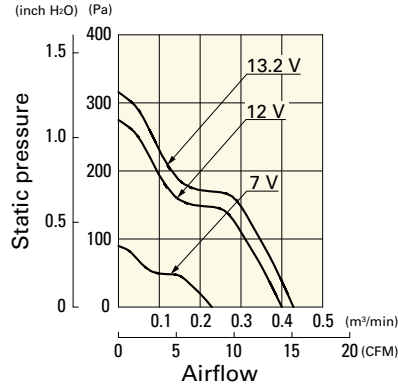
**9GV3612J301** With pulse sensor

Operating voltage range

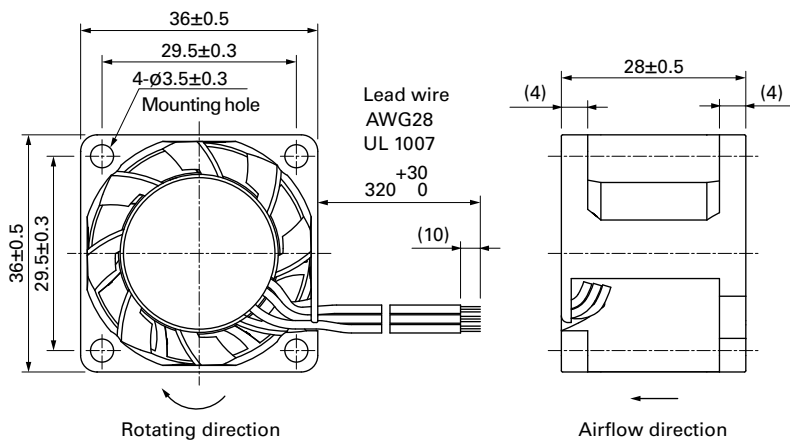


**9GV3612G301** With pulse sensor

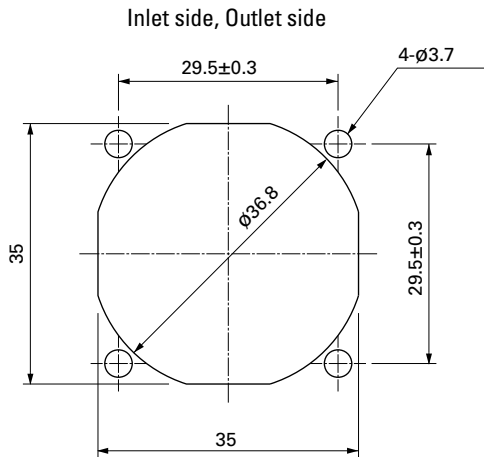
Operating voltage range



**Dimensions (unit: mm)** (With pulse sensor)



**Reference Dimensions of Mounting Holes and Vent Opening (unit: mm)**



**Options**

Finger guards

page: p. 513

Model no.: 109-1050

# Mouser Electronics

Authorized Distributor

Click to View Pricing, Inventory, Delivery & Lifecycle Information:

## Sanyo Denki:

[9GV3612P3G03](#) [9GV3612P3J03](#) [9GV3612J301](#) [9GV3612G301](#) [9GV3612J302](#) [9GV3612G302](#) [9GV3612J3D01](#)  
[9GX3612P3K001](#) [9GX3612K3002](#)