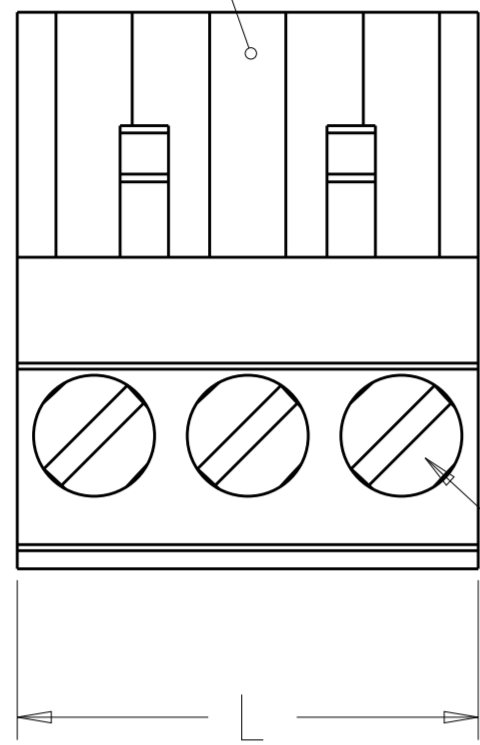


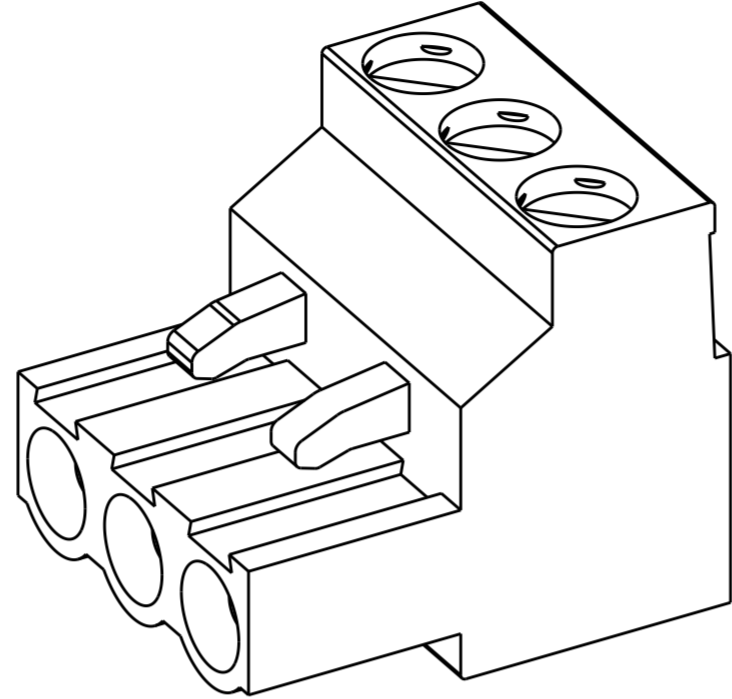
THIS DRAWING IS UNPUBLISHED. RELEASED FOR PUBLICATION 20
 © COPYRIGHT 20 BY - ALL RIGHTS RESERVED.

LOC		DIST		REVISIONS			
P	LTR	DESCRIPTION	DATE	DWN	APVD		
	D6	REVISED PER ECO-14-000579	20MAY2014	NK	MM		

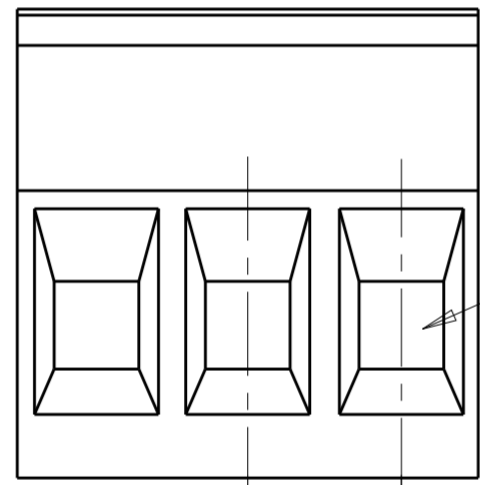
POLARIZATION KEY SLOT



CLAMPING SCREW

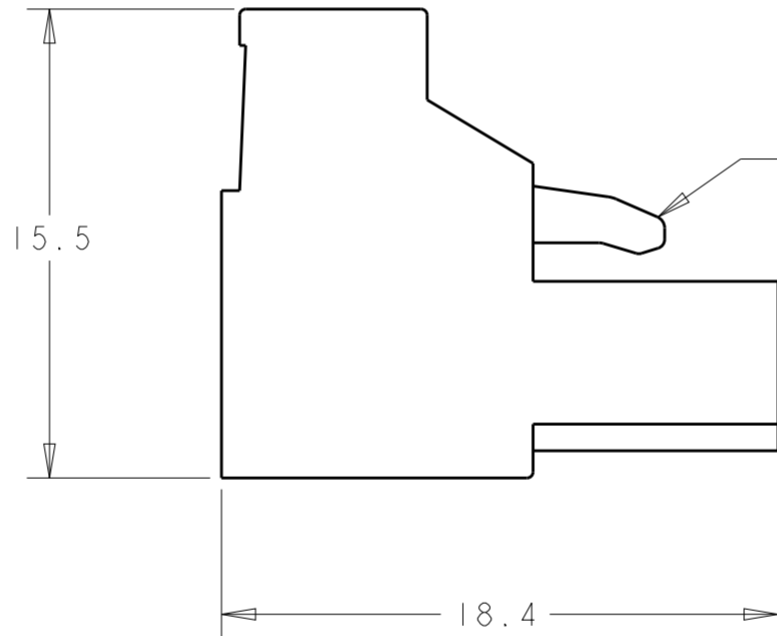


1546108-3 AS SHOWN



WIRE ENTRY

5.08±0.08 TYP
 2.54 REF 2 PLC



RETENTION LATCH

MATING FACE

15.5

18.4

DETAIL H	TIN	55.88	11	6-1546108-1
DETAIL H	TIN	45.72	9	5-1546108-9
DETAIL H	TIN	30.48±0.20	6	5-1546108-6
DETAIL H	TIN	20.32±0.15	4	5-1546108-4
DETAIL H	TIN	15.24±0.15	3	5-1546108-3
DETAIL H	TIN	10.16±0.15	2	5-1546108-2
DETAIL H	TIN	60.96	12	4-1546108-7
-	TIN	15.24±0.15	3	4-1546108-6
DETAIL K	TIN	40.64	8	4-1546108-5
DETAIL H	TIN	40.64	8	4-1546108-4
DETAIL H	TIN	96.52±0.35	19	4-1546108-3
PRELIMINARY	.000030 GOLD	60.96±0.20	12	4-1546108-2
PRELIMINARY	.000030 GOLD	30.48±0.20	6	3-1546108-6
PRELIMINARY	.000030 GOLD	20.32±0.15	4	3-1546108-4
PRELIMINARY	.000030 GOLD	15.24±0.15	3	3-1546108-3
	TIN	127.00±0.35	25	2-1546108-5
	TIN	121.92±0.35	24	2-1546108-4
	TIN	116.84±0.35	23	2-1546108-3
	TIN	111.76±0.35	22	2-1546108-2
	TIN	106.68±0.35	21	2-1546108-1
	TIN	101.60±0.35	20	2-1546108-0
	TIN	96.52±0.35	19	1-1546108-9
	TIN	91.44±0.30	18	1-1546108-8
	TIN	86.36±0.30	17	1-1546108-7
	TIN	81.28±0.30	16	1-1546108-6
	TIN	76.20±0.30	15	1-1546108-5
	TIN	71.12	14	1-1546108-4
	TIN	66.04	13	1-1546108-3
	TIN	60.96	12	1-1546108-2
	TIN	55.88	11	1-1546108-1
	TIN	50.80	10	1-1546108-0
	TIN	45.72	9	1546108-9
	TIN	40.64	8	1546108-8
	TIN	35.56±0.20	7	1546108-7
	TIN	30.48±0.20	6	1546108-6
	TIN	25.40±0.20	5	1546108-5
	TIN	20.32±0.15	4	1546108-4
	TIN	15.24±0.15	3	1546108-3
	TIN	10.16±0.15	2	1546108-2
MARKING STYLE	CONTACT FINISH	L	NO OF POSN	PART NUMBER

- 1 MATERIALS AND FINISH:
 HOUSING: PA 6-6, UL 94-V0, COLOR: GRAY.
 CLAMP: BRASS, NICKEL PLATED.
 CONTACT SPRING: PHOSPHOR BRONZE, FINISH: SEE TABLE.
 CLAMPING SCREW: M3, BRASS, NICKEL PLATED.
2. END-TO-END STACKABLE WITHOUT LOSS OF CENTERLINE SPACING.
3. WIRE SIZE RANGE: 12-30 AWG.
4. RECOGNIZED UNDER THE COMPONENT PROGRAM OF UNDERWRITERS LABORATORIES INC. FILE N° E60677.
5. IMO CERTIFICATE WITH SURVEILLANCE IN CONFORMITY WITH IEC 998-1/998-2-1.
- 6 NOT CUMULATIVE TOLERANCE
7. BUCHANAN LOGO TO APPEAR ON HOUSING, LOCATION OPTIONAL WHERE SPACE PERMITS.
8. INK MARKING: BLACK COLOR. NUMERICAL SEQUENCE FROM LEFT TO RIGHT.
- 9 WITHOUT RETENTION LATCHES.

THIS DRAWING IS A CONTROLLED DOCUMENT.

DWN S. WELDON 11SEP2002
 CHK C. RICHARD 11SEP2002
 APVD C. RICHARD 11SEP2002

STE TE Connectivity

NAME TERMINAL BLOCK, PLUG, STACKING, 5.08mm PITCH

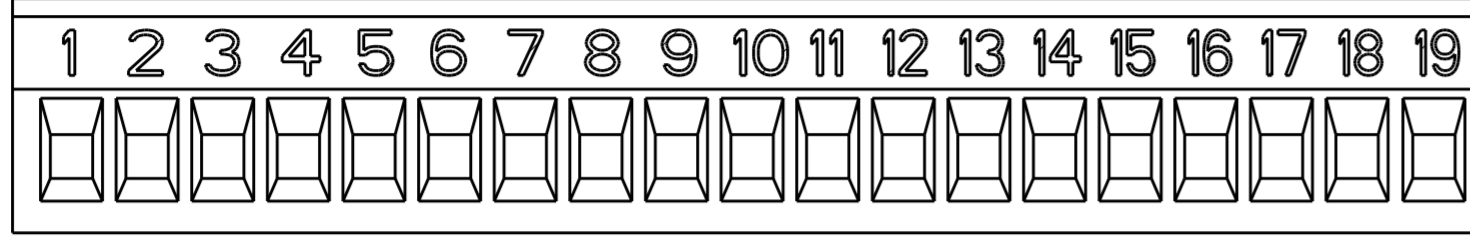
SIZE A2 CAGE CODE 00779 DRAWING NO C-1546108 RESTRICTED TO -

SCALE 2:1 SHEET 1 OF 2 REV D6

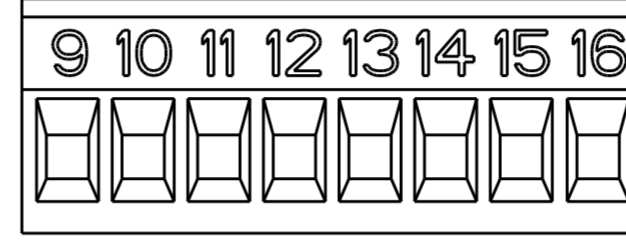
CUSTOMER DRAWING

THIS DRAWING IS UNPUBLISHED. RELEASED FOR PUBLICATION 20
 © COPYRIGHT 20 BY - ALL RIGHTS RESERVED.


LOC	DIST	REVISIONS					
FT	0	P	LTR	DESCRIPTION	DATE	DWN	APVD
		-		SEE SHEET 1	-	-	-



DETAIL H
SCALE 2:1



DETAIL K
SCALE 2:1

THIS DRAWING IS A CONTROLLED DOCUMENT.		DWN S. WELDON 11SEP2002	 TE Connectivity	
DIMENSIONS: mm		CHK C. RICHARD 11SEP2002		
TOLERANCES UNLESS OTHERWISE SPECIFIED:		APVD C. RICHARD 11SEP2002	NAME TERMINAL BLOCK, PLUG, STACKING, 5.08mm PITCH	
0 PLC ±	1 PLC ±0.3	PRODUCT SPEC	SIZE	CAGE CODE
2 PLC ±0.25	3 PLC ±	APPLICATION SPEC	DRAWING NO	RESTRICTED TO
4 PLC ±	ANGLES ±2	FINISH	A200779	C-1546108
MATERIAL		WEIGHT	SCALE 2:1 SHEET 2 OF 2 REV D6	
		CUSTOMER DRAWING		

Mouser Electronics

Authorized Distributor

Click to View Pricing, Inventory, Delivery & Lifecycle Information:

[TE Connectivity:](#)

[1546108-4](#)