

THIS DRAWING IS UNPUBLISHED.

RELEASED FOR PUBLICATION

---

© COPYRIGHT - By -

ALL RIGHTS RESERVED.

LOC  
FT

DIST  
0

REVISIONS

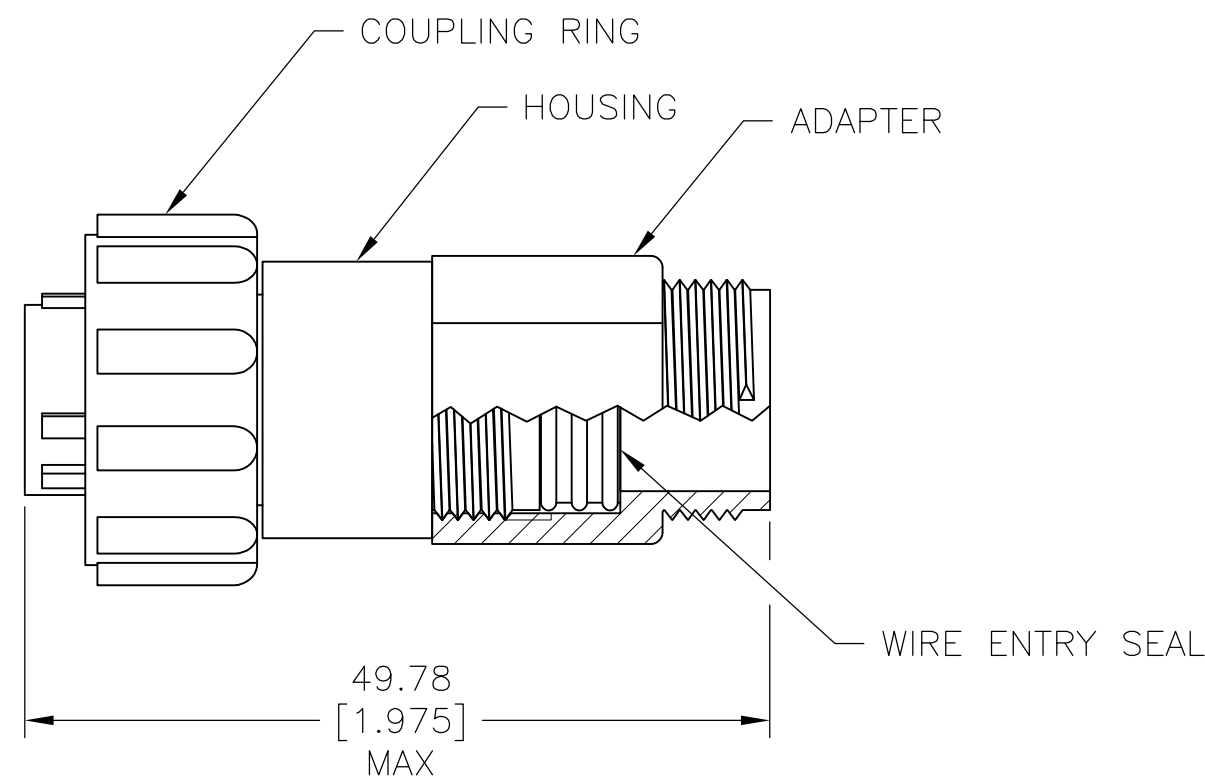
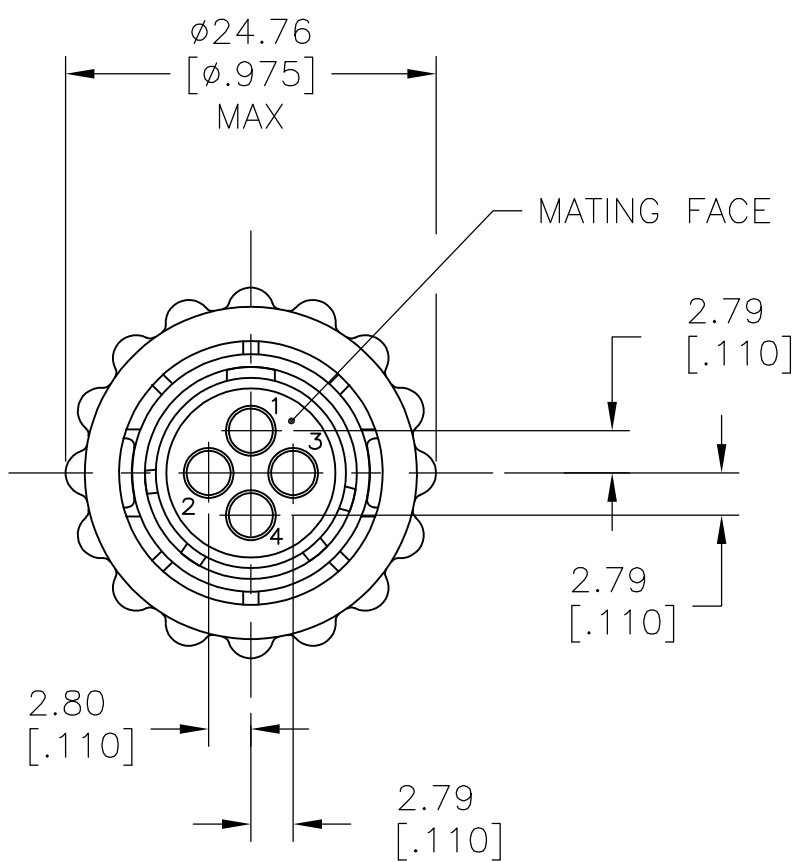
P	LTR	DESCRIPTION	DATE	DWN	APVD
	A	NEW DRAWING PER ECO-12-018480	08NOV12	KH	MZ



HOUSING, COUPLING RING & ADAPTER: NYLON 6/6, BLACK.  
WIRE ENTRY SEAL: ELASTOMER, RED.

2

THIS CONNECTOR WILL ACCEPT FOUR (4) MULTIMATE PIN CONTACTS.



1977881-1

PART NUMBER

THIS DRAWING IS A CONTROLLED DOCUMENT.		DWN KIRAN HOLAL 08NOV12	<b>STE</b> TE Connectivity																
DIMENSIONS: mm [INCHES]		CHK M ZITTO 08NOV12																	
TOLERANCES UNLESS OTHERWISE SPECIFIED:		APVD M ZITTO 08NOV12	NAME CPC PLUG ASSEMBLY, SERIES 1, SEALED 11-4, REVERSE SEX, UV RESISTANT																
<table border="0"> <tr><td>0 PLC</td><td>± -</td></tr> <tr><td>1 PLC</td><td>± -</td></tr> <tr><td>2 PLC</td><td>± 0.13 [0.005]</td></tr> <tr><td>3 PLC</td><td>± -</td></tr> <tr><td>4 PLC</td><td>± -</td></tr> <tr><td>ANGLES</td><td>± -</td></tr> <tr><td>FINISH</td><td>-</td></tr> </table>		0 PLC	± -	1 PLC	± -	2 PLC	± 0.13 [0.005]	3 PLC	± -	4 PLC	± -	ANGLES	± -	FINISH	-	PRODUCT SPEC 108-1579	DRAWING NO A3 00779 C-1977881		
0 PLC	± -																		
1 PLC	± -																		
2 PLC	± 0.13 [0.005]																		
3 PLC	± -																		
4 PLC	± -																		
ANGLES	± -																		
FINISH	-																		
MATERIAL 1		APPLICATION SPEC 114-10038	SIZE A3	CAGE CODE 00779	RESTRICTED TO -														
		WEIGHT -	SCALE 2:1		SHEET 1 OF 1														
		CUSTOMER DRAWING		REV A															

# Mouser Electronics

Authorized Distributor

Click to View Pricing, Inventory, Delivery & Lifecycle Information:

[TE Connectivity:](#)

[1977881-1](#)