

TECHNICAL CHARACTERISTICS

MATERIAL
 INSULATOR: LCP
 FLAMABILITY RATING: UL94-V0
 COLOR: BLACK
 CONTACT MATERIAL: PHOSPHOR BRONZE
 CONTACT TYPE: STAMPED
 CONTACT PLATING: UNDERPLATE 1.27 TO 2.54 µm Ni
 CONTACT AREA 0.38 TO 0.76 µm GOLD
 SOLDER TAIL AREA 2.54 TO 5.08 µm MATT TIN

SHIELDING: STEEL MATT TIN PLATED
 QUALITY CLASS: 10000 MATING CYCLES

ENVIRONMENTAL
 OPERATING TEMPERATURE: -20°C UP TO +85°C
 COMPLIANCE: LEAD FREE & RoHS

ELECTRICAL
 CURRENT RATING:
 - PIN 1 & PIN 5 (Vbus & corresponding ground PIN) 1.8 A MAX
 - OTHER PINS 0.25 A MIN
 WORKING VOLTAGE: 30 VAC
 DIELECTRIC WITHSTANDING VOLTAGE: 100 VAC/MIN
 INSULATION RESISTANCE: > 100 MΩ
 CONTACT RESISTANCE:
 - PIN 1 & PIN 4: 30mΩ MAX
 - OTHER PINS: 50mΩ MAX

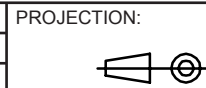
MECHANICAL
 INSERTION FORCE: 35.0 N MAX
 EXTRACTION FORCE: 10.0 N MIN

STANDARD
 CERTIFIED: E323964

SOLDERING
 JEDEC LEAD FREE REFLOW SOLDERING

PACKAGING
 TAPE & REEL

RoHS Compliant			
H	11-DEC-14	DIMENSION	AS
REV	DATE	FILE	BY



GENERAL TOLERANCE
 .X = +/- 0.3
 .XX = +/- 0.20

APPROVAL: NPr

UNIT: MM
 SCALE:
 SHEET: 1/4
 DRAW: AS



DESCRIPTION: WR-COM - MICRO USB 3.0 HORIZONTAL SMT TYPE B
 WERI PART NO: 692 622 030 100

SIZE
A4

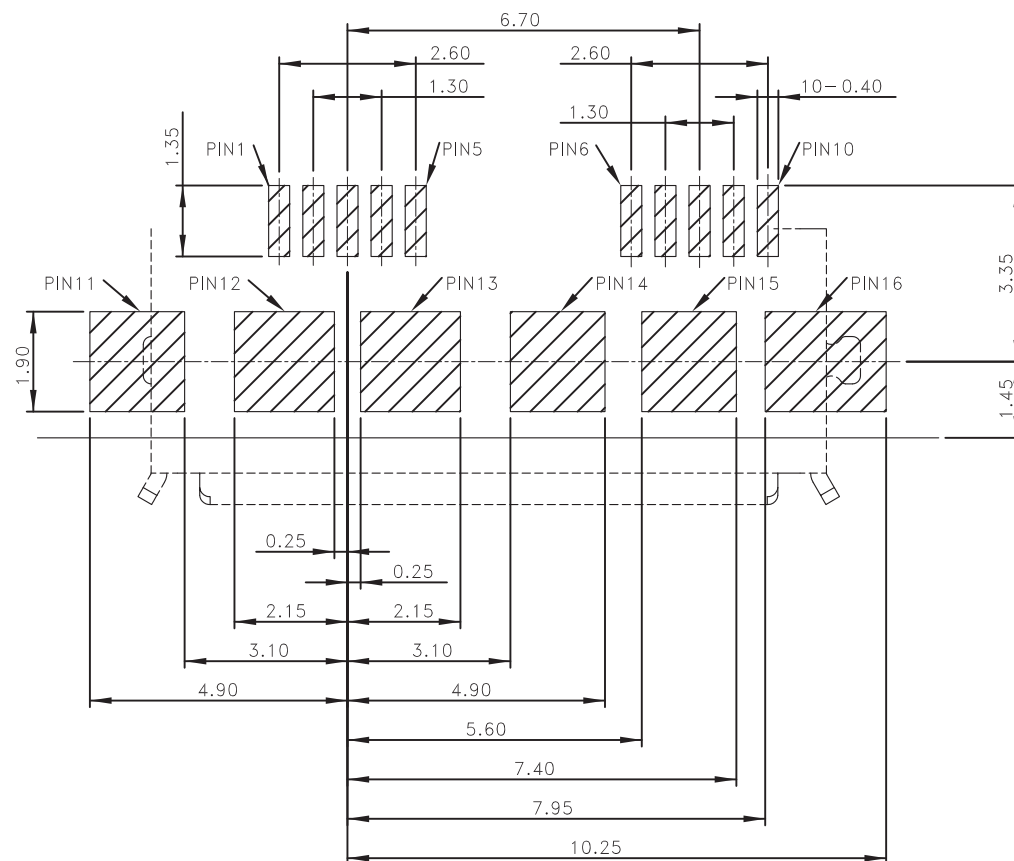
1

2

3

4

5



RECOMMENDED PCB LAYOUT - COMPONENT VIEW
TOLERANCES ± 0.05 MM

RoHS Compliant

PROJECTION:



GENERAL TOLERANCE

.X = ± 0.3 .XX = ± 0.20 

APPROVAL: NPr

UNIT: MM

SCALE:

SHEET: 2/4

DRAW: AS

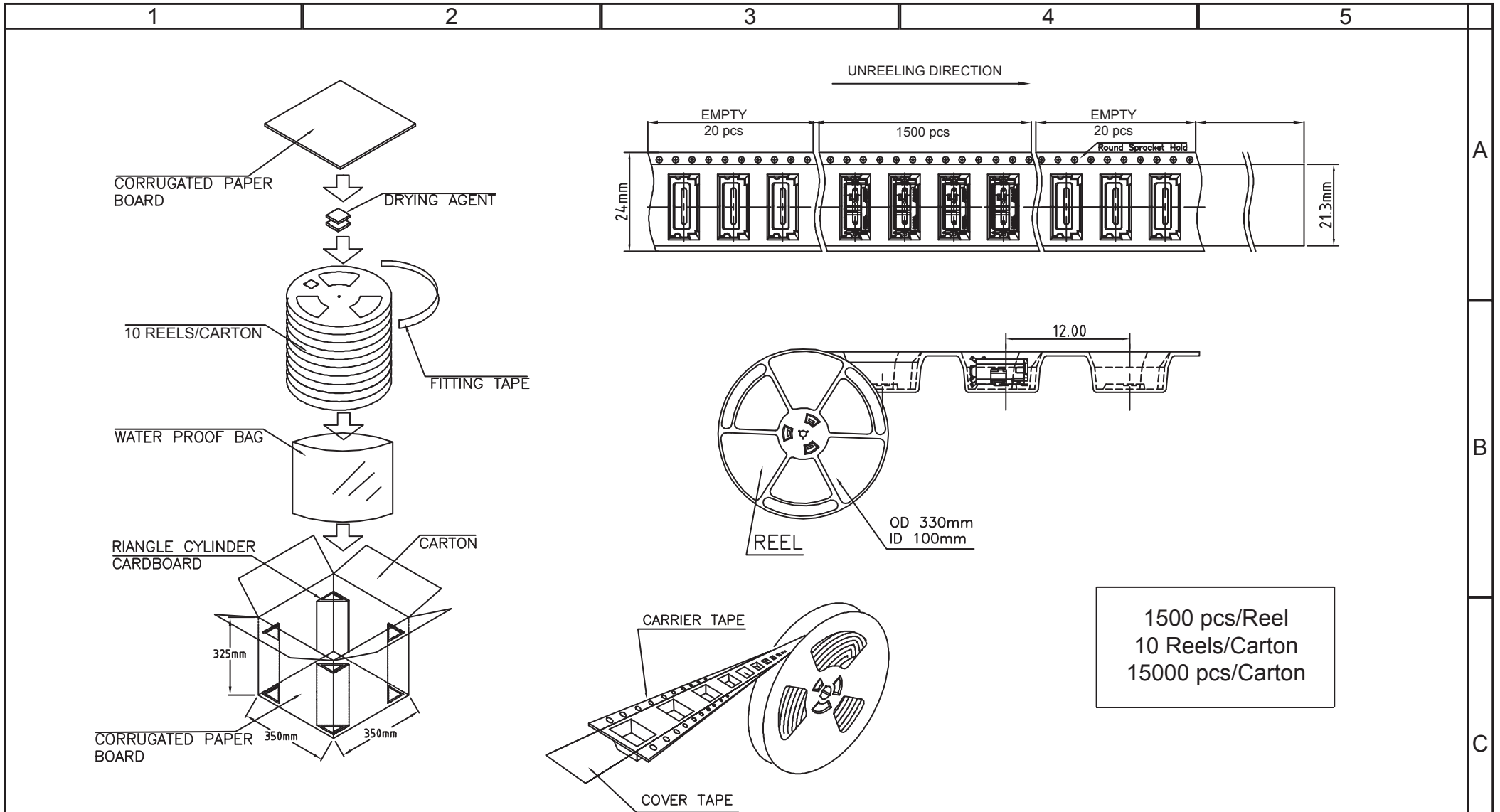
DESCRIPTION: WR-COM - MICRO USB 3.0 HORIZONTAL SMT TYPE B

WERI PART NO: 692 622 030 100

SIZE

A4

H	11-DEC-14	DIMENSION	AS						
REV	DATE	FILE	BY						



RoHS Compliant			
G			
F			
E			
D			
C			
B			
A	11-DEC-14	PDF	AS
REV	DATE	FILE	BY

PROJECTION:
APPROVAL: NPr

GENERAL TOLERANCE
.X = +/- 0.2
.XX = +/- 0.15
UNIT: MM
SCALE:
SHEET: 3/4
DRAW: AS

DESCRIPTION: WR-COM - MICRO USB 3.0 HORIZONTAL SMT TYPE B	SIZE
WERI PART NO: 692 622 030 100	A4

1

2

3

4

5

Cautions and Warnings:

This electronic component is designed and developed with the intention for use in general electronics equipments.

Before incorporating the components into any equipments in the field such as aerospace, aviation, nuclear control, submarine, transportation, (automotive control, train control, ship control), transportation signal, disaster prevention, medical, public information network etc. where higher safety and reliability are especially required or if there is possibility of direct damage or injury to human body, Würth Elektronik must be asked for a written approval.

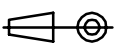

In addition, even electronic component in general electronic equipments, when used in electrical circuits that require high safety, reliability functions or performance, the sufficient reliability evaluation-check for the safety must be performed before by the user before usage.

A

B

C

RoHS Compliant

G				PROJECTION: 	GENERAL TOLERANCE .X = +/- 0.2 .XX = +/- 0.15		
F							
E							
D							
C				APPROVAL: JC	UNIT: MM	DESCRIPTION: DISCLAIMER	SIZE A4
B					SCALE:		
A	10-SEP-14	PDF	QL		SHEET: 4/4	WERI PART NO: DISCLAIMER	
REV	DATE	FILE	BY		DRAW: QL		

D

Mouser Electronics

Authorized Distributor

Click to View Pricing, Inventory, Delivery & Lifecycle Information:

[Würth Electronics:](#)

[692622030100](#)