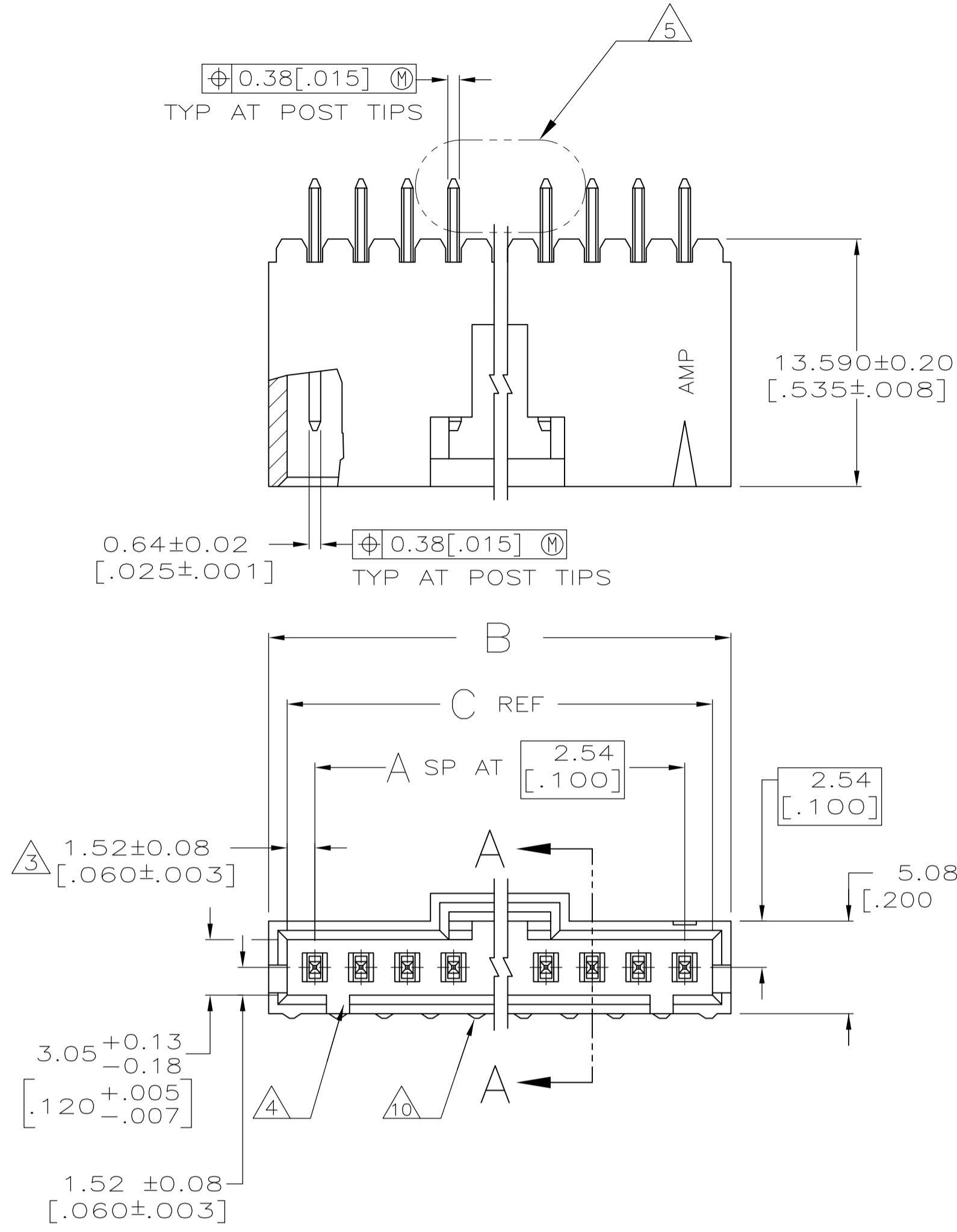
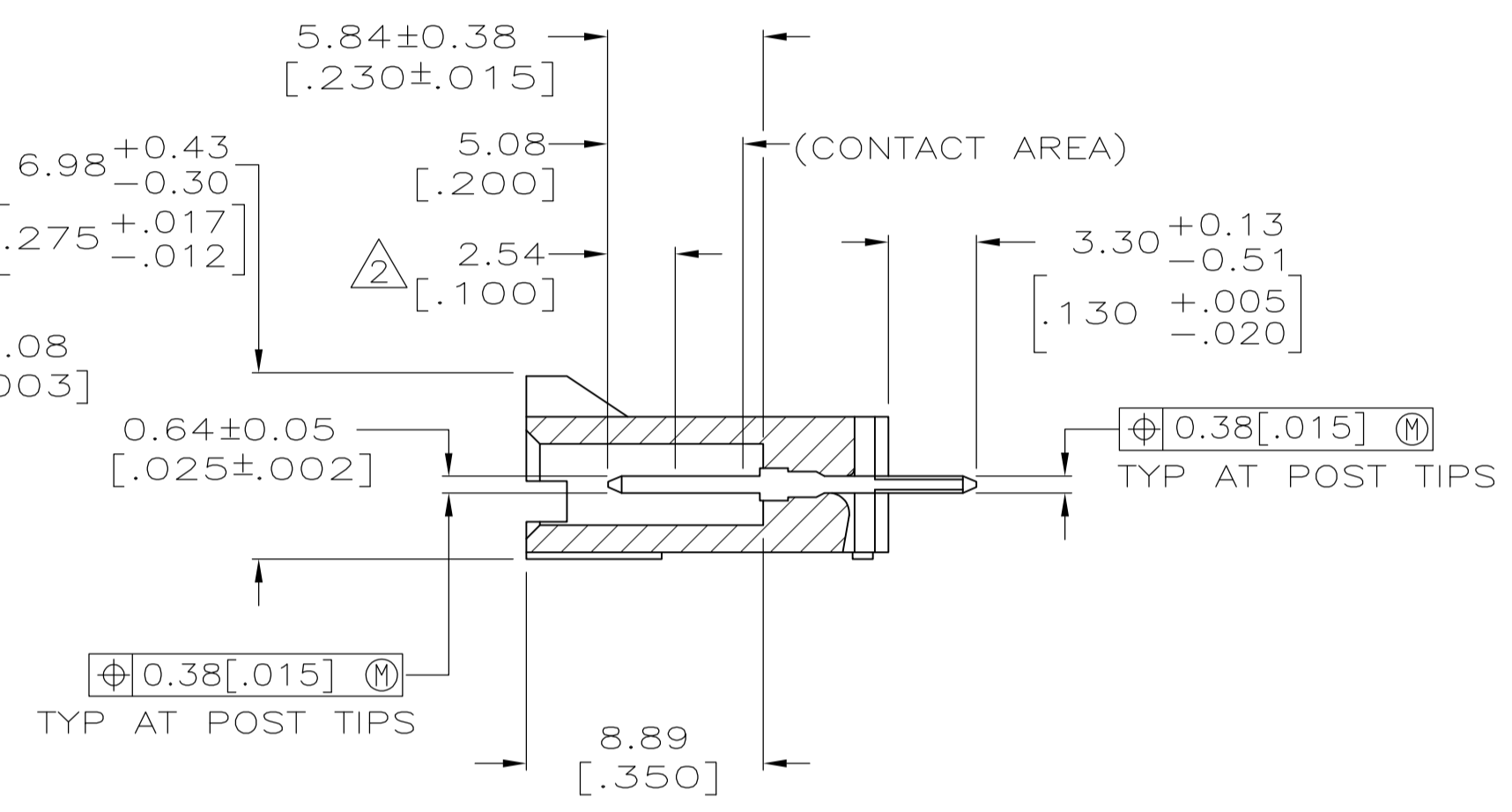


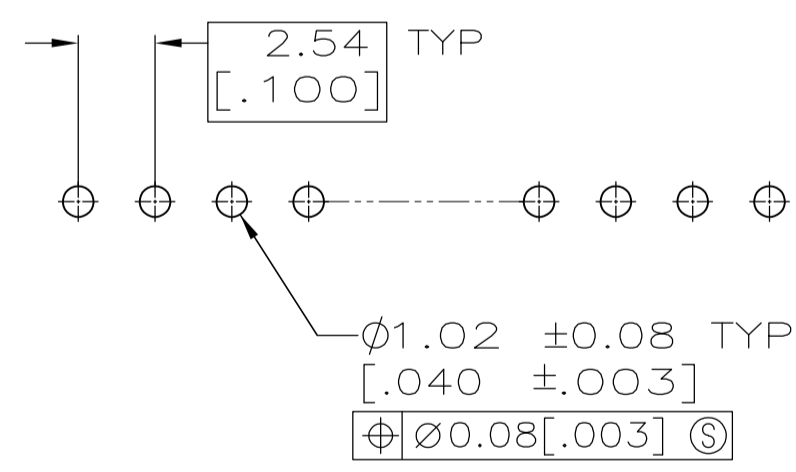
REVISIONS						
P	LTR	DESCRIPTION	DATE	DMN	APVD	
AA2		REVISED PER ECO-11-004587	11MAR11	RK	HMR	
AB		REVISED PER ECO-17-002209	11APR2017	RS	MM	



DETAIL Z
POST DETAIL TYP
2 POST MINIMUM



SECTION A-A



RECOMMENDED HOLE LAYOUT

- 1 .000100 BRIGHT TIN-LEAD OVER .000050 NICKEL.
- 2 POINT OF MEASUREMENT FOR PLATING THICKNESS.
- 3 THE NOTED DIMENSIONS APPLY AT THE INTERSECTION OF THE POST AND THE HOUSING.
- 4 ON ASSEMBLIES WITH FOUR OR MORE POSITIONS, TWO POLARIZATION SLOTS. ON ASSEMBLIES WITH TWO OR THREE POSITIONS, ONE POLARIZATION SLOT.
- 5 SELECT POST TAILS FORMED TO PROVIDE CONNECTOR HOLD DOWN UNTIL SOLDERED. CONFIGURATION ACCEPTS 0.69[.027]-2.03[.080] THICK PRINTED CIRCUIT BOARD. (SEE DETAIL Z).
- 6 .000100 BRIGHT TIN OVER .000050 NICKEL.
- 7 PRELIMINARY PART - NOT RELEASED FOR PRODUCTION.
- 8 .000100 MATTE TIN OVER .000050 NICKEL.
- 9 HIGH TEMPERATURE CONFIGURATION.
- 10 STANDOFFS NOT PRESENT ON UNDERSIDE OF ASSEMBLY
- 11 OBSOLETE PARTS: OBSOLETE CIS STREAMLINING PER D.RENAUD/D.SINISI

REMARKS	PLATING	C	B	A	NO. OF POSN	PART NO.
9	6	23.37 [.920]	25.27 [.995]	8	9	3-103669-0
9	6	8.13 [.320]	10.03 [.395]	2	3	2-103669-9
9	6	15.75 [.620]	17.65 [.695]	5	6	2-103669-8
9	6	13.21 [.520]	15.11 [.595]	4	5	2-103669-7
9	6	10.67 [.420]	12.57 [.495]	3	4	2-103669-6
9	6	5.59 [.220]	7.49 [.295]	1	2	2-103669-5
11	9	64.01 [2.520]	65.91 [2.595]	24	25	2-103669-4
11	9	61.47 [2.420]	63.37 [2.495]	23	24	2-103669-3
11	9	58.93 [2.320]	60.83 [2.395]	22	23	2-103669-2
11	9	56.39 [2.220]	58.29 [2.295]	21	22	2-103669-1
11	9	53.85 [2.120]	55.75 [2.195]	20	21	2-103669-0
9	1	51.31 [2.020]	53.21 [2.095]	19	20	1-103669-9
11	9	48.77 [1.920]	50.67 [1.995]	18	19	1-103669-8
11	9	46.23 [1.820]	48.13 [1.895]	17	18	1-103669-7
9	1	43.69 [1.720]	45.59 [1.795]	16	17	1-103669-6
9	1	41.15 [1.620]	43.05 [1.695]	15	16	1-103669-5
11	9	38.61 [1.520]	40.51 [1.595]	14	15	1-103669-4
9	1	36.07 [1.420]	37.97 [1.495]	13	14	1-103669-3
9	1	33.53 [1.320]	35.43 [1.395]	12	13	1-103669-2
9	1	30.99 [1.220]	32.89 [1.295]	11	12	1-103669-1
9	1	28.45 [1.120]	30.35 [1.195]	10	11	1-103669-0
9	1	25.91 [1.020]	27.81 [1.095]	9	10	103669-9
9	1	23.37 [.920]	25.27 [.995]	8	9	103669-8
9	1	20.83 [.820]	22.73 [.895]	7	8	103669-7
9	1	18.29 [.720]	20.19 [.795]	6	7	103669-6
9	1	15.75 [.620]	17.65 [.695]	5	6	103669-5
9	1	13.21 [.520]	15.11 [.595]	4	5	103669-4
9	1	10.67 [.420]	12.57 [.495]	3	4	103669-3
9	1	8.13 [.320]	10.03 [.395]	2	3	103669-2
9	1	5.59 [.220]	7.49 [.295]	1	2	103669-1

THIS DRAWING IS A CONTROLLED DOCUMENT.

DIMENSIONS: INCHES	TOLERANCES UNLESS OTHERWISE SPECIFIED:	DIN S. SHUEY 3-5-91	APVD M. RIDER 2-14-92
0 PLC ± -	1 PLC ± ± 0.13[.005]	CHK M. RIDER 2-14-92	NAME
1 PLC ± ±	2 PLC ± ±	APVD M. RIDER 2-14-92	NAME
2 PLC ± ±	3 PLC ± ±	PRODUCT SPEC	108-25034
3 PLC ± ±	4 PLC ± ±	APPLICATION SPEC	114-25026
4 PLC ± ±	ANGLES ± ±	SIZE	A1
MATERIAL HOUSING: LCP	FINISH SEE TABLE	WEIGHT	00779
		CUSTOMER DRAWING	SCALE 4:1 SHEET 1 OF 2 REV AB


STC TE Connectivity

HDR ASSY, VERT, SINGLE ROW
2.54 [100] C/L 0.64 [025] SQ POST
WITH PLZN, AMPMODU MTE

SIZE CODE DRAWING NO. 100779 C=103669

REVISIONS					
P	LYR	DESCRIPTION	DATE	DMN	APVD
-		SEE SHEET 1	-	-	-

OBSOLETE 11	9/10	8	64.01 [2.520]	65.91 [2.595]	24	25	7-103669-4
	9/10	8	61.47 [2.420]	63.37 [2.495]	23	24	7-103669-3
	9/10	8	58.93 [2.320]	60.83 [2.395]	22	23	7-103669-2
	9/10	8	56.39 [2.220]	58.29 [2.295]	21	22	7-103669-1
	9/10	8	53.85 [2.120]	55.75 [2.195]	20	21	7-103669-0
	9/10	8	51.31 [2.020]	53.21 [2.095]	19	20	6-103669-9
	9/10	8	48.77 [1.920]	50.67 [1.995]	18	19	6-103669-8
	9/10	8	46.23 [1.820]	48.13 [1.895]	17	18	6-103669-7
	9/10	8	43.69 [1.720]	45.59 [1.795]	16	17	6-103669-6
	9/10	8	41.15 [1.620]	43.05 [1.695]	15	16	6-103669-5
OBSOLETE 11	9/10	8	38.61 [1.520]	40.51 [1.595]	14	15	6-103669-4
	9/10	8	36.07 [1.420]	37.97 [1.495]	13	14	6-103669-3
	9/10	8	33.53 [1.320]	35.43 [1.395]	12	13	6-103669-2
	9/10	8	30.99 [1.220]	32.89 [1.295]	11	12	6-103669-1
	9/10	8	28.45 [1.120]	30.35 [1.195]	10	11	6-103669-0
	9/10	8	25.91 [1.020]	27.81 [1.095]	9	10	5-103669-9
	9/10	8	23.37 [.920]	25.27 [.995]	8	9	5-103669-8
	9/10	8	20.83 [.820]	22.73 [.895]	7	8	5-103669-7
	9/10	8	18.29 [.720]	20.19 [.795]	6	7	5-103669-6
	9/10	8	15.75 [.620]	17.65 [.695]	5	6	5-103669-5
9/10	8	13.21 [.520]	15.11 [.595]	4	5	5-103669-4	
9/10	8	10.67 [.420]	12.57 [.495]	3	4	5-103669-3	
9/10	8	8.13 [.320]	10.03 [.395]	2	3	5-103669-2	
9/10	8	5.59 [.220]	7.49 [.295]	1	2	5-103669-1	
REMARKS	PLATING	C	B	A	NO. OF POSN	PART NO.	

THIS DRAWING IS A CONTROLLED DOCUMENT.		DMN S. SHUEY 3-5-91	 TE Connectivity
DIMENSIONS: INCHES		CHK M. RIDER 2-14-92	
TOLERANCES UNLESS OTHERWISE SPECIFIED:		APVD M. RIDER 2-14-92	NAME
0. PLC ± - 1. PLC ± - 2. PLC ± 0.13[.005] 3. PLC ± - 4. PLC ± - ANGLES ± -		PRODUCT SPEC 108-25034	HDR ASSY, VERT, SINGLE ROW 2.54 [.100] C/L 0.64 [.025] SQ POST WITH PLZN, AMPMODU MTE
MATERIAL HOUSING: LCP		APPLICATION SPEC 114-25026	SIZE A1
FINISH SEE TABLE		WEIGHT -	CAGE CODE 00779
		CUSTOMER DRAWING	DRAWING NO 103669
		SCALE 4:1	SHEET 2 OF 2
			REV AB