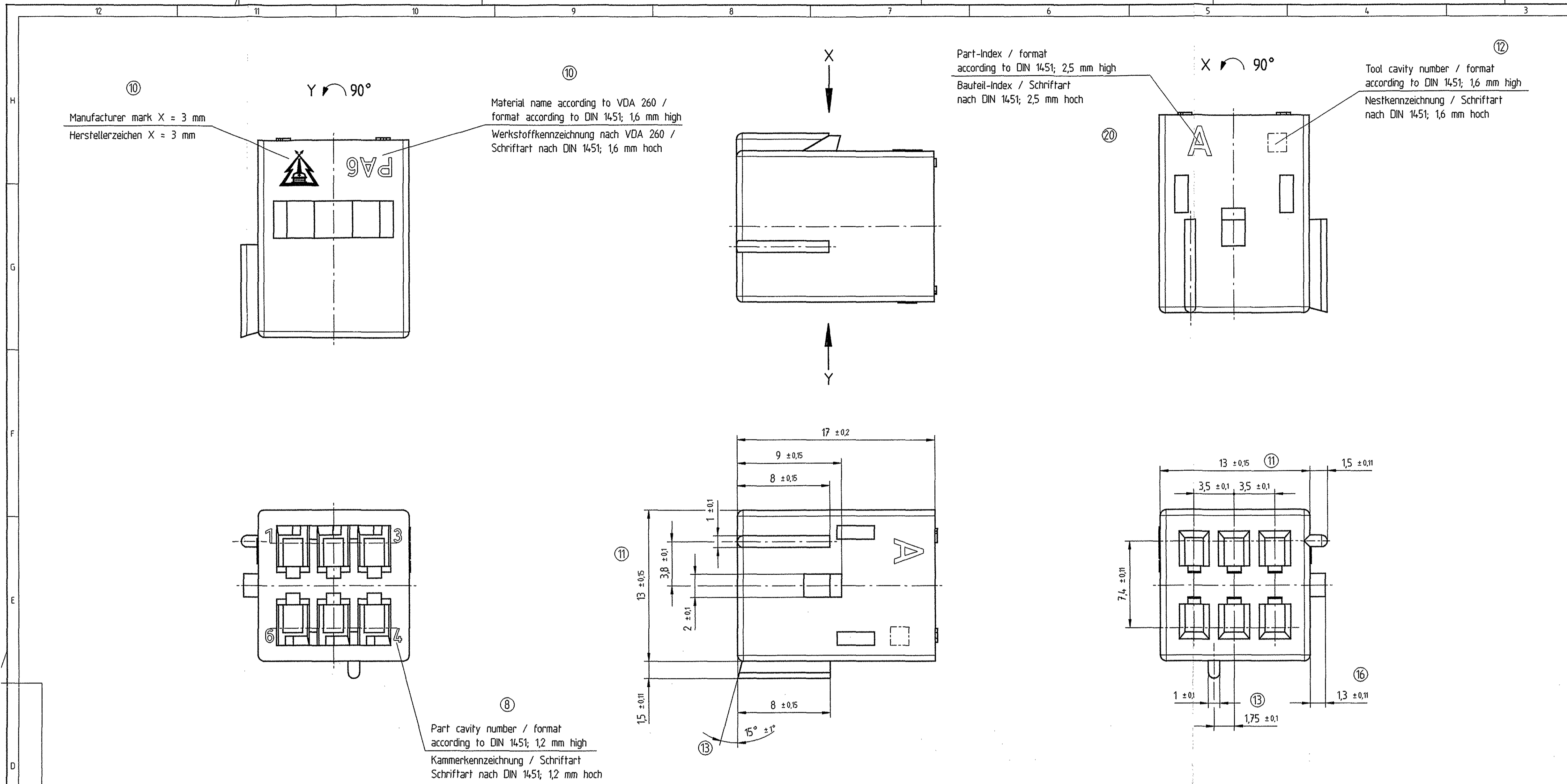
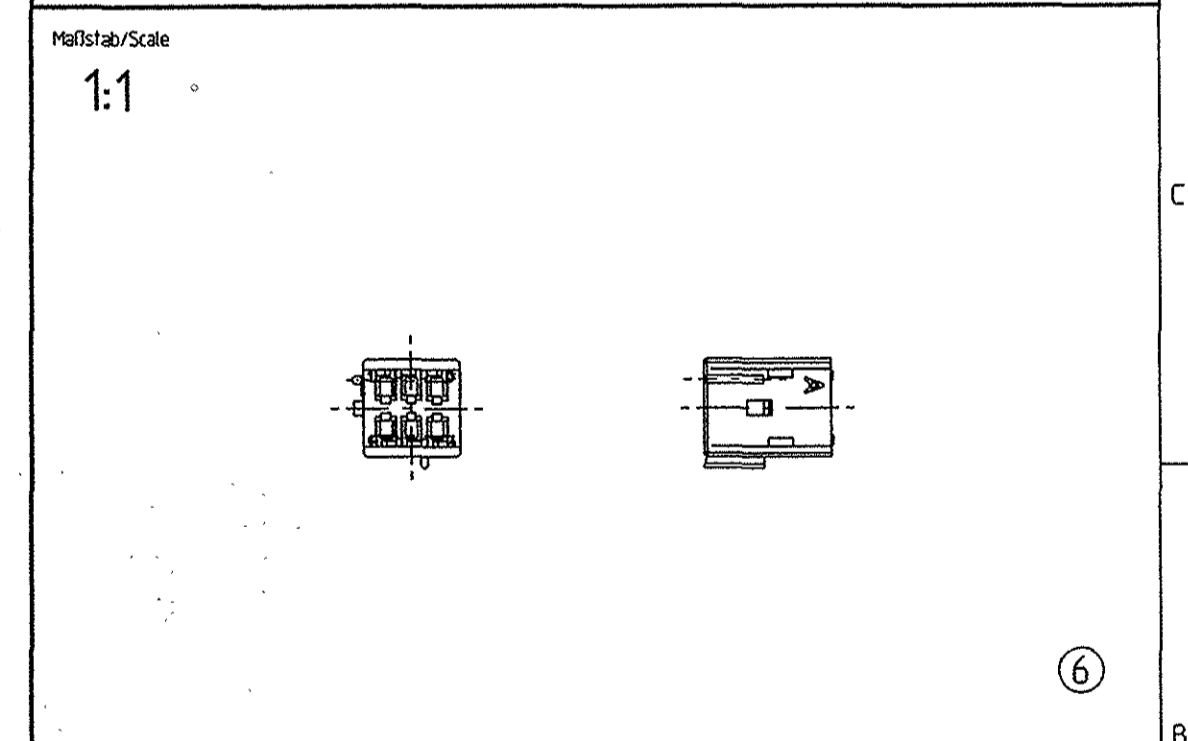


REV	DATE	REVISION RECORD	DR	CK	APPR
L/O	12JL00	RELEASED (SUPPL. DRW. REV. 20/25MY00)	MP	FVM	MAC
A	24AU00	RELEASED (SUPPL. DRW. REV. 21/02AU00)	MP	FVM	MAC



Zone	Rev	Date	Name	Check	St. Chr.
A2	000	21			
H6	000	20			
A2	000	19			
	000	18			
	000	17			
D4	000	16			
B14	000	14			
D5/E9	000	13			
H3	000	12			
F5/E9	000	11			
H9/12	000	10			
A5/9	000	9			
D9	000	8			
C12	000	7			
B1	000	6			
C12	000	5			

Controlled document
Only for use, if
colour of stamp is red.
Copying is not allowed.



DELPHI
Packard Electric Systems
Postfach 2704-20
D - 42354 Wuppertal

Part-No. 1539 6848 / ZPM 6-55
passender Verriegelungskamm
ID-Nr.: 428 732 / Part-No. 1213 1358
oder Part-No. 1534 5177

pass with Tab housing
Part-No.: 1539 6849 / ZPM 6-55
Part-No.: 1539 6850 / ZM 6-3
pass with Locking comb
ID-No.: 428 732 / Part-No. 1213 1358
or Part-No. 1534 5177

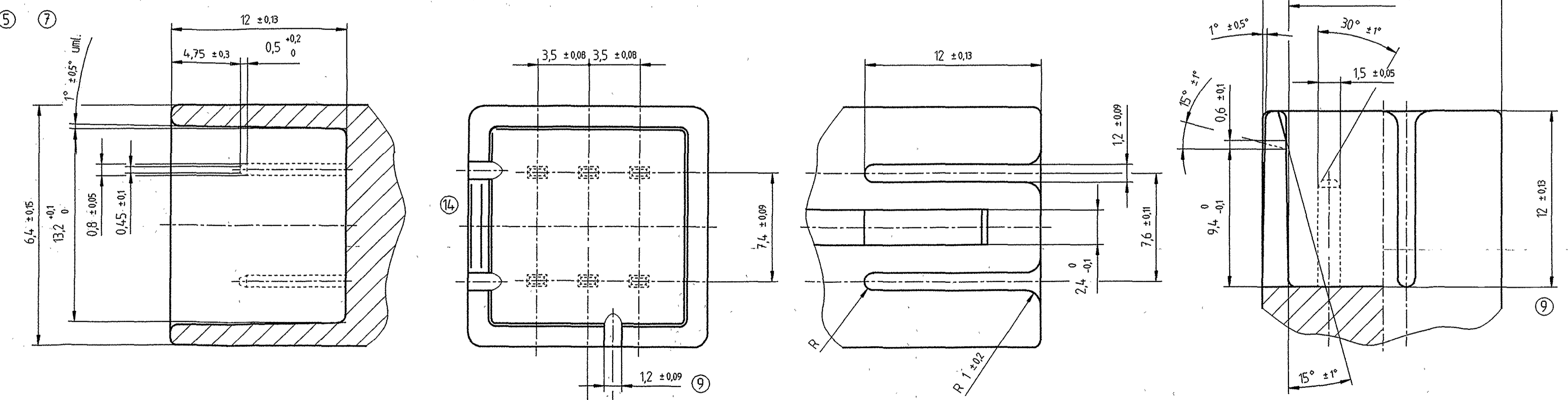
BESCHRIFTUNG 0,2 mm erhaben / raised
Inscription

TEILE-GEWICHT 1,9 g pro Teil / part
Weight part

63006, 0917, 0011, 11, 11, 11

Part-No. 1539 6848

Geräteaufnahme: passend für Flachsteckhülse Gehäuse 6 pol. Part-No.: 1539 6848
Device housing: fitting receptacle housing 6 way, Part-No.: 1539 6848



Remarks:
- not dimensioned radii R 0,5 mm
- maximum draft angle 0°30'
- Material PA 6.6

Bemerkungen:
- nicht bemessene Rundungen R 0,5 mm
- zulässige Entformungsschraege max. 0°30'
- Material PA 6.6

Toleranzgruppe nach DIN 16 901	Nennmaßbereich									
	über	bis	0	3	10	22	40	70	120	200
Prüfmaße	0	3	10	22	40	70	120	200	400	1000
Hilfsm Maße	0	3	10	22	40	70	120	200	400	1000
Theoretische Maße	0	3	10	22	40	70	120	200	400	1000

Alle Toleranzen nach DIN 16 901

THIS DRAWING IS NOT TO BE DUPLICATED OR REPRODUCED WITHOUT THE WRITTEN PERMISSION OF DELPHI - PACKARD ELECTRIC SYSTEMS DO BRASIL

DELPHI
PACKARD ELECTRIC SYSTEMS

REFERENCE: REI 15396848
SUPPLIER REV LEVEL: 21 / 02AU00

DR: MARCOS PEIXOTO
CK: RENATA V. MUSOLINO
APPR: MAURICIO A. CARVALHO

MATERIAL: PA6 (BLK)

NAME: CONNECTOR M/P 6F

DRAWING NO.: 15396848
SHEET 1 OF 1

SIZE: A0

- NOTES:
1. CAVITIES TO ACCEPT 12047767 TERMINAL OR EQUIVALENT.
 2. CONNECTOR TO ACCEPT 12131358 TPA OR EQUIVALENT.
 3. THIS PART MATES WITH 15396849 CONNECTOR OR EQUIVALENT.

Mouser Electronics

Authorized Distributor

Click to View Pricing, Inventory, Delivery & Lifecycle Information:

[Aptiv:](#)
[15396848](#)