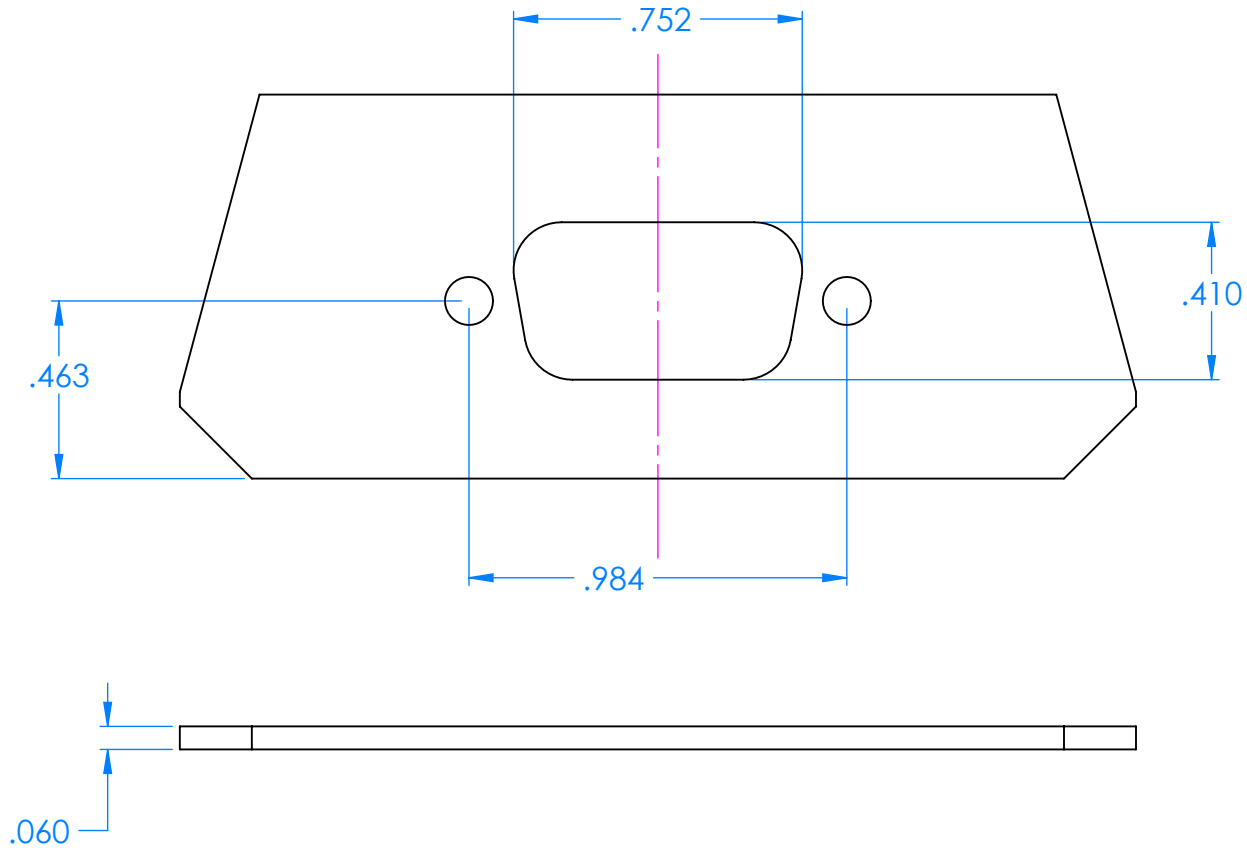


SERPAC 2005, DB9 for A21

Electronic Enclosures



NOTES:

Cutout located to accept a D-sub standard surface mount DB9 connector (male or female) using a .065" thick circuit board.

Mouser Electronics

Authorized Distributor

Click to View Pricing, Inventory, Delivery & Lifecycle Information:

[SERPAC:](#)

[2005-DB9-BLACK](#) [2005,DB9](#) [2003,DB9](#)